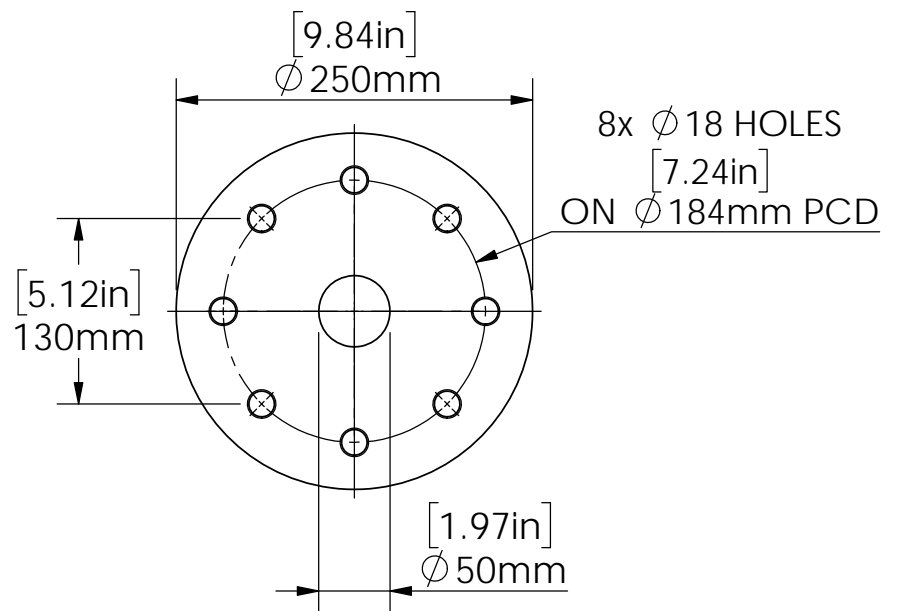


BASE POLE DETAIL

NOTE: EARTH TAG & CONDUIT POSITIONS



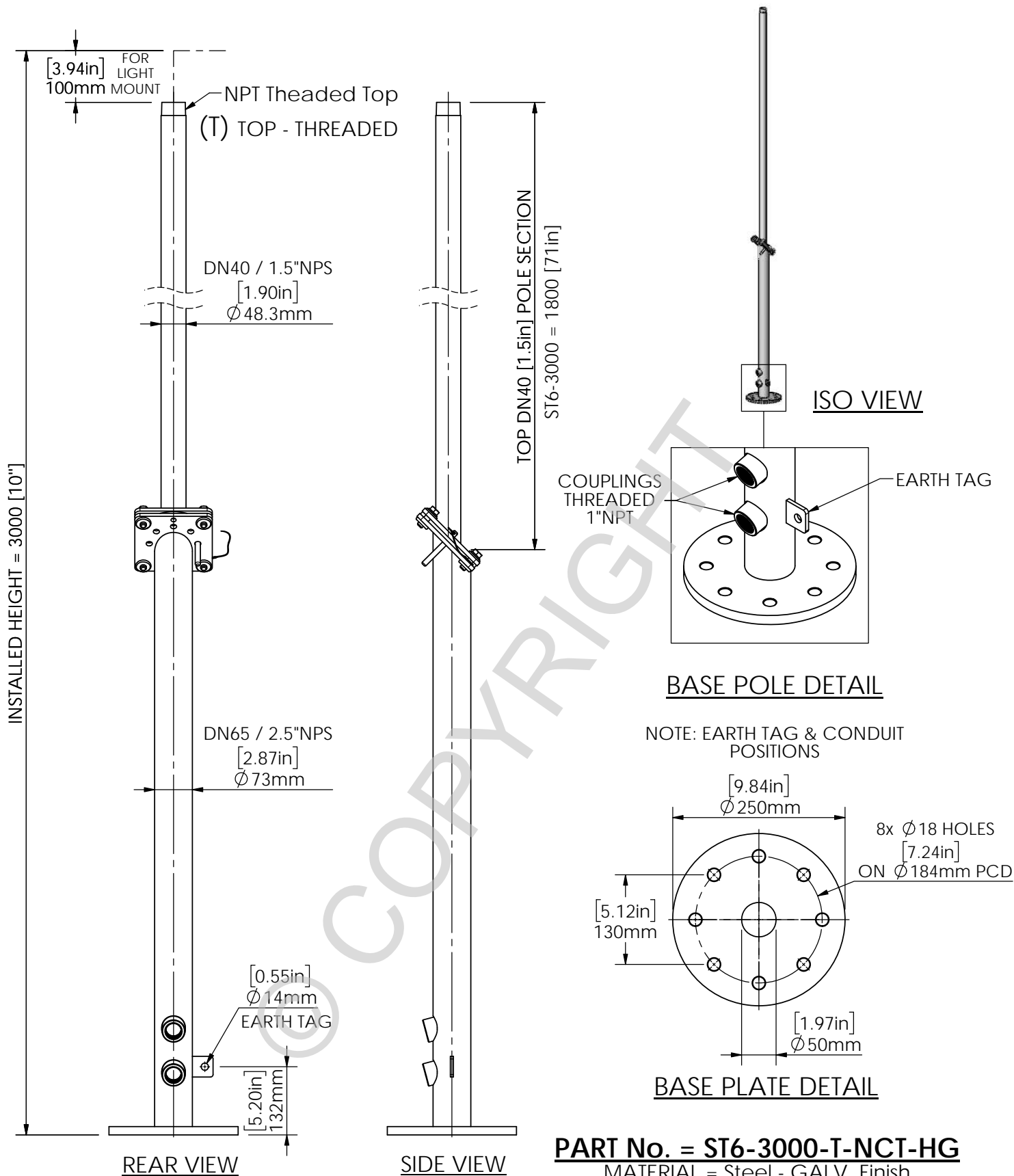
BASE PLATE DETAIL

PART No. = ST6-2400-T-NCT-HG

MATERIAL = Steel - GALV. Finish
WEIGHT = 26.0 kg [57.2 lb]

IEC & NEC Compliant
(External Access all Threaded)

PATENTED www.swivelpole.com		This document is the property of and protected by copyright owned by Swivelpole Group Pty Ltd. The designs and other information embodied in this document comprise confidential information of Swivelpole Group Pty Ltd and form part of products covered by international patents and registered designs including US patent No 6957832. Unauthorised use, reproduction and disclosure are strictly prohibited.				
ALL DIMENSIONS ARE IN MILLIMETERS	PROJECT SWIVELPOLE	SERIES / CODE ST	PART NUMBER As Shown			
DRAWN BY BP	DATE 29-03-16	TITLE Swivelpole ST6 Threaded Top Version (2400 Installed) Client Detail				
CHECKED BY KM	DATE 29-03-16					
APPROVED BY AI	DATE 29-03-16					
THIRD ANGLE PROJECTION	SCALE 1:10	DRG No C-NA-ST6-2400-T-NCT-HG			REV 0	A4



IEC & NEC Compliant
(External Access all Threaded)

[extract from C-NA-ST6-001-HG]

PATENTED

www.swivelpole.com

This document is the property of and protected by copyright owned by Swivelpole Group Pty Ltd. The designs and other information embodied in this document comprise confidential information of Swivelpole Group Pty Ltd and form part of products covered by international patents and registered designs including US patent No 6957832. Unauthorised use, reproduction and disclosure are strictly prohibited.

ALL DIMENSIONS ARE IN MILLIMETERS

PROJECT

SWIVELPOLE

SERIES / CODE

ST

PART NUMBER

As Shown

DRAWN BY

BP

DATE

30-03-16

TITLE

Swivelpole ST6
Threaded Top Version (3000 Installed)
Client Detail

CHECKED BY

KM

DATE

30-03-16

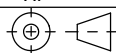
APPROVED BY

AI

DATE

30-03-16

THIRD ANGLE PROJECTION



SCALE

1:10

DRG No

C-NA-ST6-3000-T-NCT-HG

REV

0

A4

Swivelpole™