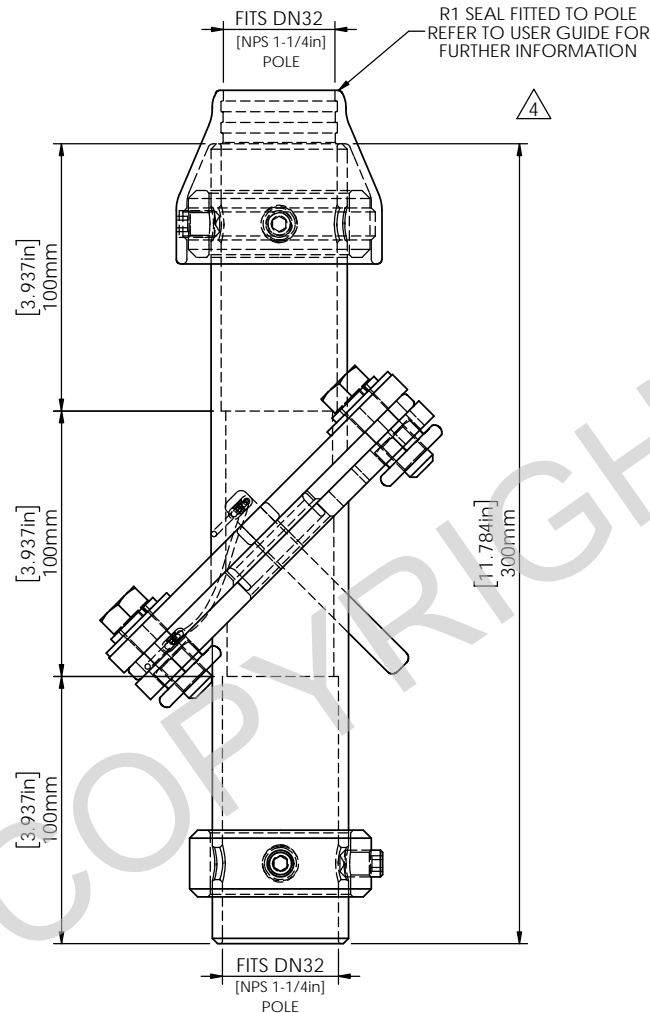


INSTALLED VIEW

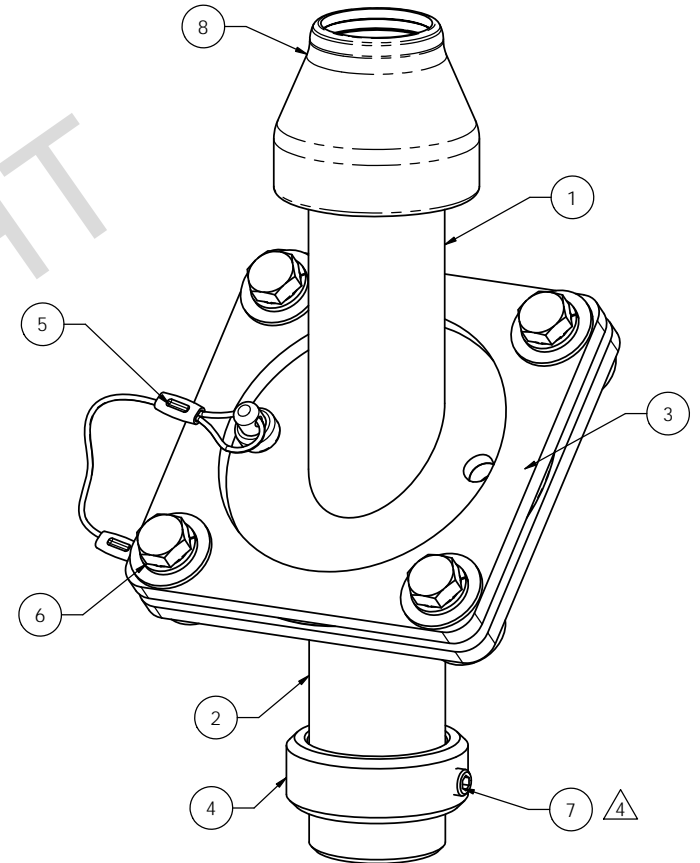


HIDDEN DETAIL VIEW

PART NUMBER = R1-32-HG

MATERIAL = Steel (ASTM A36 & B36.10)
 FINISH = Hot Dipped Galvanized (ASTM A123)
 WEIGHT = 5.1kg [11.2 lb]

ITEM No.	QTY.	PART NUMBER	DESCRIPTION (DETAIL)
1	1	R-T32-HG	DN32 [NPS 1-1/4in] TOP SECTION
2	1	R-B32-LR-HG	DN32 [NPS 1-1/4in] BASE SECTION
3	1	CP08-150-001-HG	8mm CLAMP PLATE
4	2	RC32-HG	DN32 [NPS 1-1/4in] LOCKING COLLAR
5	1	SP10-HG	SAFETY PIN AND CABLE
6	4	FSNK-001-DM	M12 FASTENER KIT
7	4	M10x16GS-HG	GRUB SCREWS M10
8	1	R1-32-SEAL	DN32 - R1 SEAL



ASSEMBLED ISOMETRIC VIEW



Scan Code with QR Reader app for more Safe Swivel Joint Product Information

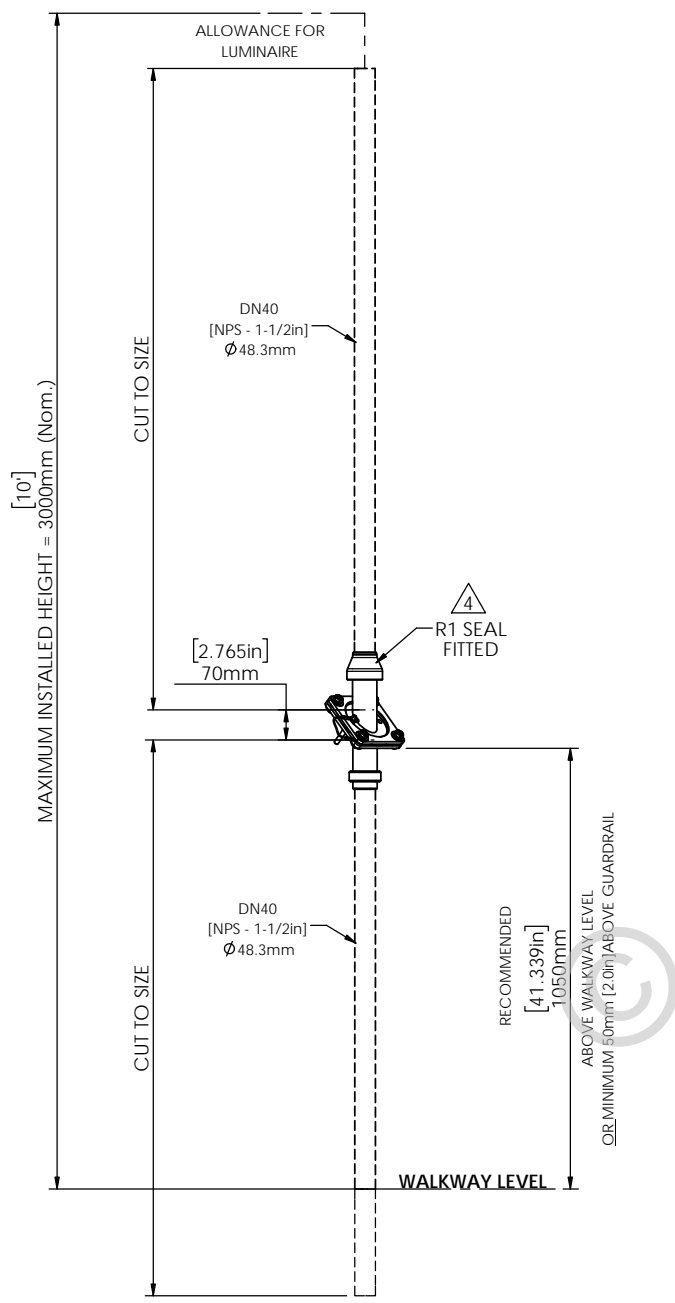
PATENTED
 PRODUCTS

www.swivelpole.com

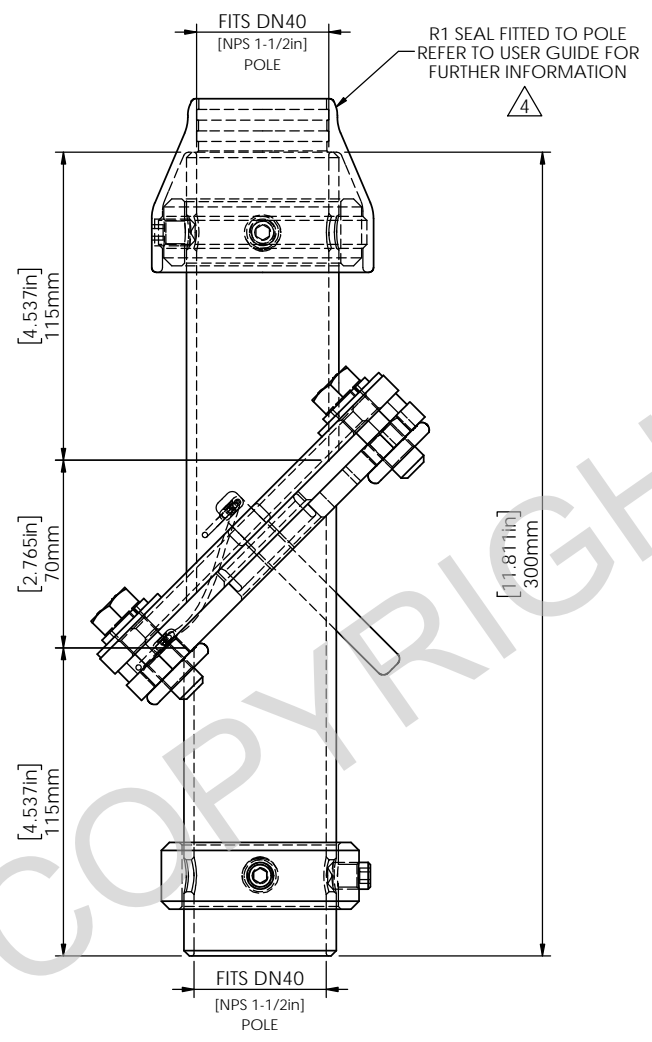
Swivelpole

This document is the property of and protected by copyright owned by Swivelpole Group Pty Ltd. The designs and other information embodied in this document comprise confidential information of Swivelpole Group Pty Ltd and form part of products covered by international patents and registered designs including US patent No 6957832. Unauthorised use, reproduction and disclosure are strictly prohibited. This document must not be removed from the premises of the licensed user of this document without Swivelpole Group Pty Ltd's prior approval.

ALL DIMENSIONS ARE IN MILLIMETERS/INCHES	PROJECT	SERIES / CODE	PART NUMBER
	SWIVELPOLE	R	R1-32-HG (RQ1259)
DRAWN BY	AD	DATE	06-10-09
CHECKED BY	FB	DATE	15-06-10
APPROVED BY	PP	DATE	16-06-10
THIRD ANGLE PROJECTION	SCALE		1:2
	DRG No		C-NA-R1-32-HG
	REV	A3	
	4		



INSTALLED VIEW

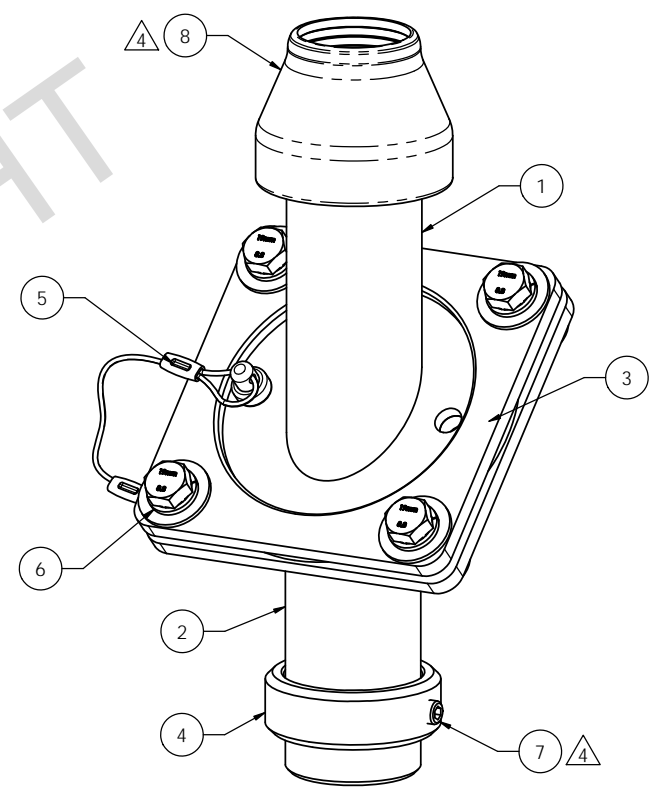


HIDDEN DETAIL VIEW

PART NUMBER = R1-40-HG

MATERIAL = Steel (ASTM A36 & B36.10)
 FINISH = Hot Dipped Galvanized (ASTM A123)
 WEIGHT = 5.1kg [11.2 lb]

ITEM No.	QTY.	PART NUMBER	DESCRIPTION (DETAIL)
1	1	R-T40-HG	DN40 [NPS 1-1/2in] TOP SECTION
2	1	R-B40-LR-HG	DN40 [NPS 1-1/2in] BASE SECTION
3	1	CP08-150-001-HG	8mm CLAMP PLATE
4	2	RC40-HG	DN40 [NPS 1-1/2in] LOCKING COLLAR
5	1	SP10-HG	SAFETY PIN AND CABLE
6	4	FSNK-001-DM	M12 FASTENER KIT
7	4	M10x16GS-HG	GRUB SCREWS M10
8	1	R1-40-SEAL	DN40 - R1 SEAL



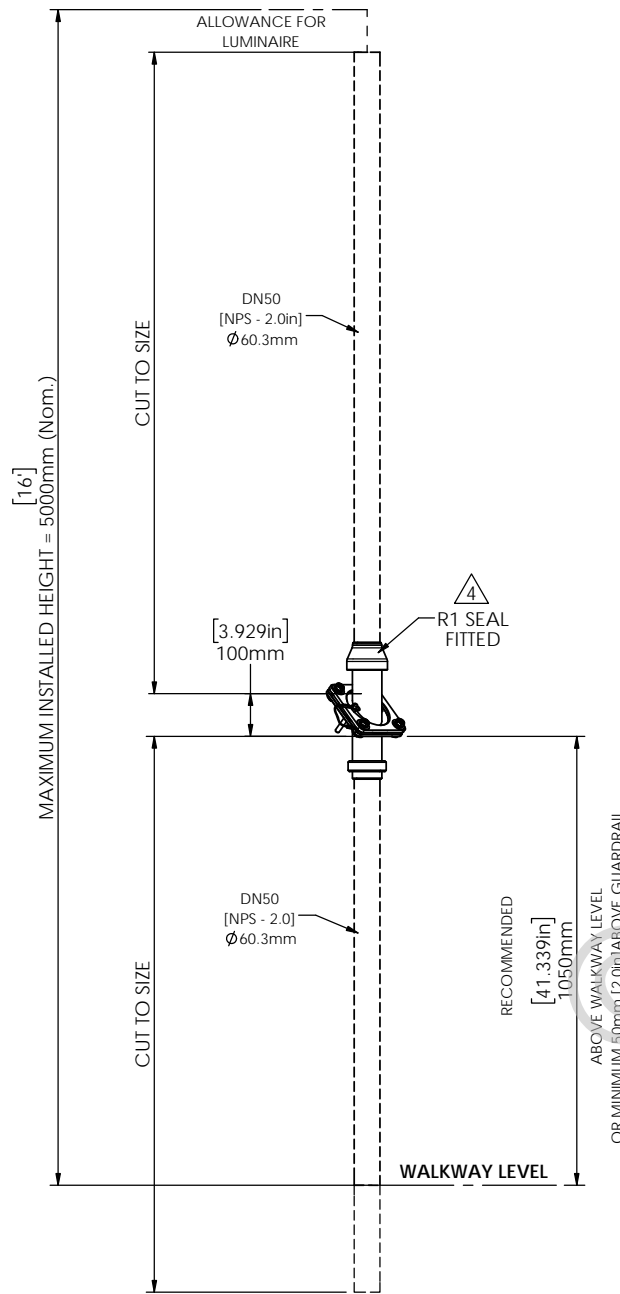
Scan Code with QR Reader app for more Safe Swivel Joint Product Information

PATENTED PRODUCTS

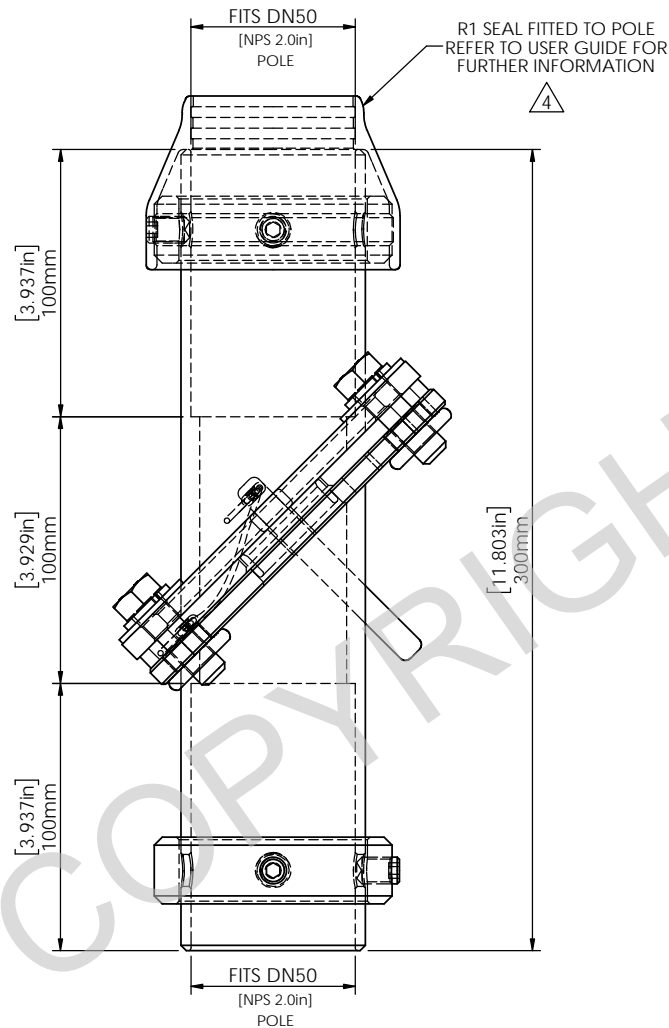
www.swivelpole.com

This document is the property of and protected by copyright owned by Swivelpole Group Pty Ltd. The designs and other information embodied in this document comprise confidential information of Swivelpole Group Pty Ltd and form part of products covered by international patents and registered designs including US patent No 6957832. Unauthorised use, reproduction and disclosure are strictly prohibited. This document must not be removed from the premises of the licensed user of this document without Swivelpole Group Pty Ltd's prior approval.

ALL DIMENSIONS ARE IN MILLIMETERS/INCHES	PROJECT SWIVELPOLE	SERIES / CODE R	PART NUMBER R1-40-HG	(RQ1259)
DRAWN BY AD	DATE 06-10-09	TITLE Swivelpole™ R1 DN40 [NPS 1-1/2in] Safe Swivel Joint General Assembly		
CHECKED BY FB	DATE 25-03-10	DRG No C-NA-R1-40-HG		
APPROVED BY PP	DATE 30-03-10	SCALE 1:2	REV 4	A3



INSTALLED VIEW

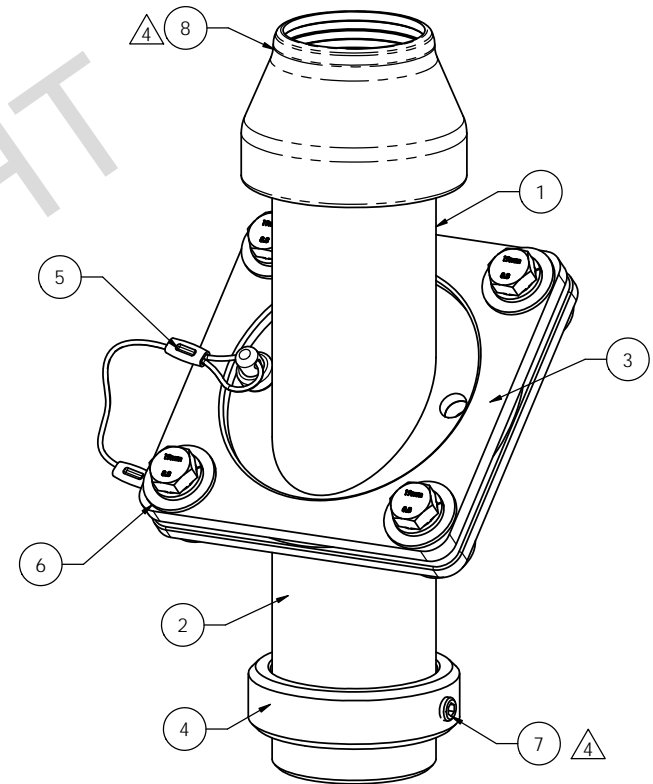


HIDDEN DETAIL VIEW

PART NUMBER = R1-50-HG

MATERIAL = Steel (ASTM A36 & B36.10)
 FINISH = Hot Dipped Galvanized (ASTM A123)
 WEIGHT = 6.1kg [11.2 lb]

ITEM No.	QTY.	PART NUMBER	DESCRIPTION (DETAIL)
1	1	R-T50-HG	DN50 [NPS 2.0in] TOP SECTION
2	1	R-B50-LR-HG	DN50 [NPS 2.0in] BASE SECTION
3	1	CP08-150-001-HG	8mm CLAMP PLATE
4	2	RC50-HG	DN50 [NPS 2.0in] LOCKING COLLAR
5	1	SP10-HG	SAFETY PIN AND CABLE
6	4	FSNK-001-DM	M12 FASTENER KIT
7	4	M10x16GS-HG	GRUB SCREWS M10
8	1	R1-50-SEAL	DN50 - R1 SEAL



ASSEMBLED ISOMETRIC VIEW



Scan Code with QR Reader app for more Safe Swivel Joint Product Information

PATENTED PRODUCTS

www.swivelpole.com

Swivelpole

This document is the property of and protected by copyright owned by Swivelpole Group Pty Ltd. The designs and other information embodied in this document comprise confidential information of Swivelpole Group Pty Ltd and form part of products covered by international patents and registered designs including US patent No 6957832. Unauthorised use, reproduction and disclosure are strictly prohibited. This document must not be removed from the premises of the licensed user of this document without Swivelpole Group Pty Ltd's prior approval.

ALL DIMENSIONS ARE IN MILLIMETERS/INCHES	PROJECT	SERIES / CODE	PART NUMBER	
	SWIVELPOLE	R	R1-50-HG	(RQ1259)
DRAWN BY	AD	DATE	06-10-09	TITLE
CHECKED BY	FB	DATE	25-03-10	Swivelpole™ R1
APPROVED BY	PP	DATE	30-03-10	DN50 [NPS 2.0in] Safe Swivel Joint
THIRD ANGLE PROJECTION	SCALE 1:2			DRG No C-NA-R1-50-HG
				REV 4
				A3