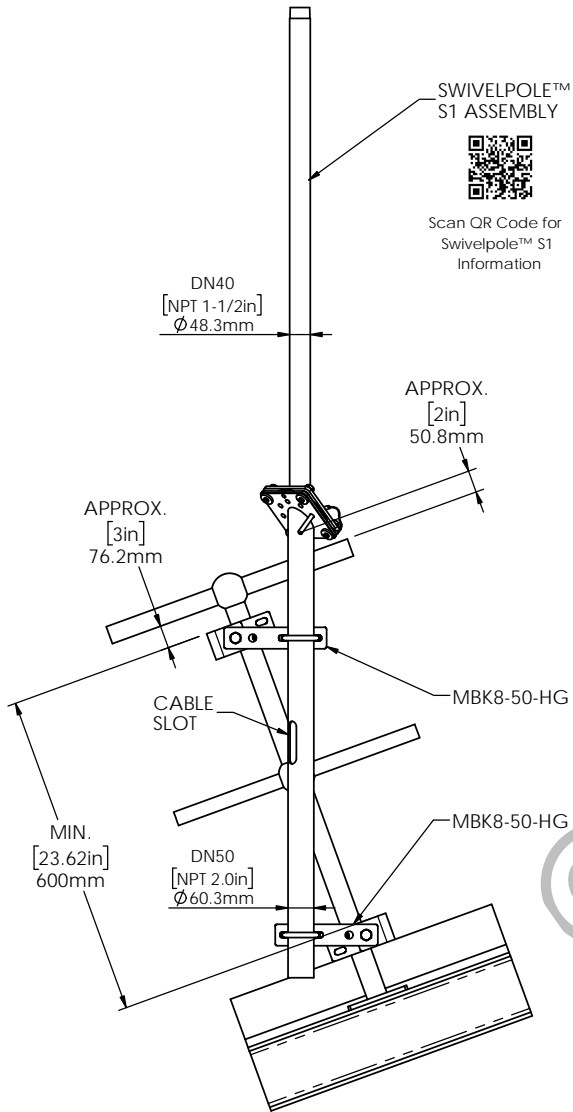


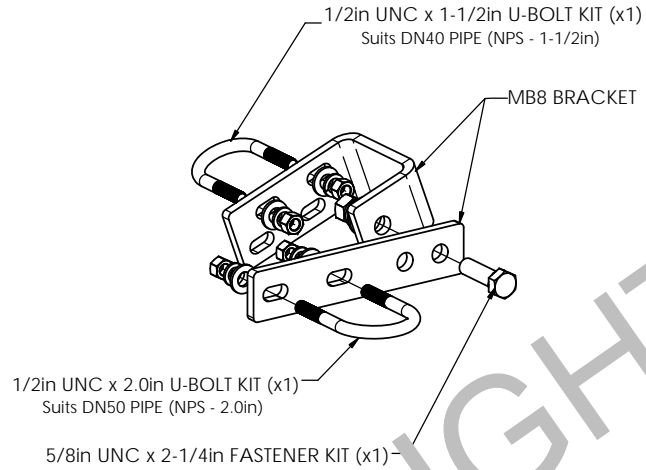
| ASSEMBLY | WEIGHT |
|----------------------------|-------------------|
| [8'] S1-2400 cw MBK8-8-50 | 19.7 kg [43.3 lb] |
| [10'] S1-3000 cw MBK8-8-50 | 22.1 kg [48.6 lb] |



MBK8-8-50-HG
TYPICAL ASSEMBLY
FINISH: HOT DIPPED GALVANIZED

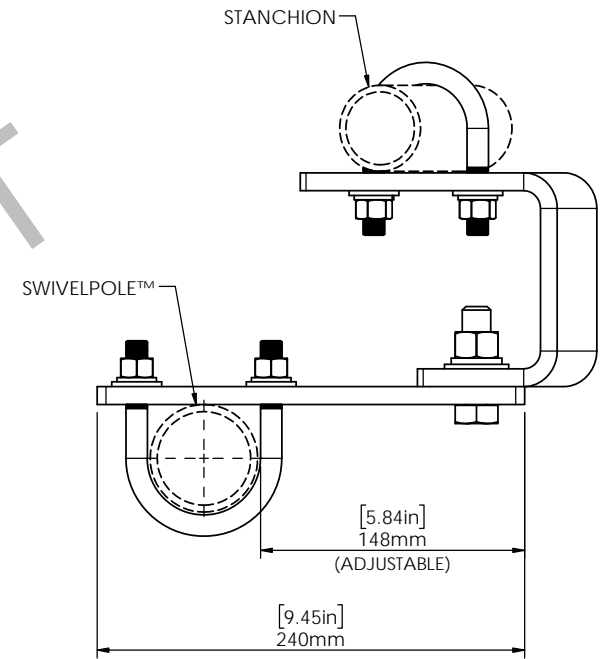
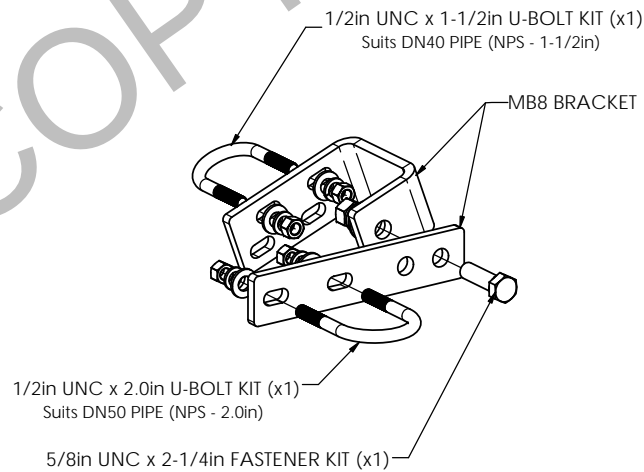
MBK8-50-HG BRACKET

WEIGHT (INCLUDES BRACKET AND FASTENERS) = 3.1 kg [6.82 lb]



MBK8-0-HG BRACKET

WEIGHT (INCLUDES BRACKET AND FASTENERS) = 3.1 kg [6.82 lb]



MBK8 DIMENSIONS
TO SUIT 1-1/2in STANCHION

IEC



Scan Code with
QR Reader app for more
Swivelpole™ Bracket Solutions

PATENTED
PRODUCTS

www.swivelpole.com

Swivelpole

| | | | | |
|--|-----------------|---|----------------------|---|
| ALL DIMENSIONS MILLIMETERS / INCHES | | PROJECT SWIVELPOLE | SERIES / CODE MBK | PART NUMBER MBK8-8-50-HG (RQ1250) |
| DRAWN BY AD | DATE 21/3/10 | TITLE Swivelpole™ S1 Mounting Bracket Kit Typical Installation Client - Bracket Detail | | |
| CHECKED BY FB | DATE 23/3/10 | | | |
| APPROVED BY PP | DATE 30/3/10 | | | |
| THIRD ANGLE PROJECTION | SCALE N.T.S. | DRG No C-NA-MBK8-8-50-HG | REV 1 | A3 |

This document is the property of and protected by copyright owned by Swivelpole Group Pty Ltd. The designs and other information embodied in this document comprise confidential information of Swivelpole Group Pty Ltd and form part of products covered by international patents and registered designs including US patent No 6957832. Unauthorised use, reproduction and disclosure are strictly prohibited. This document must not be removed from the premises of the licensed user of this document without Swivelpole Group Pty Ltd's prior approval.