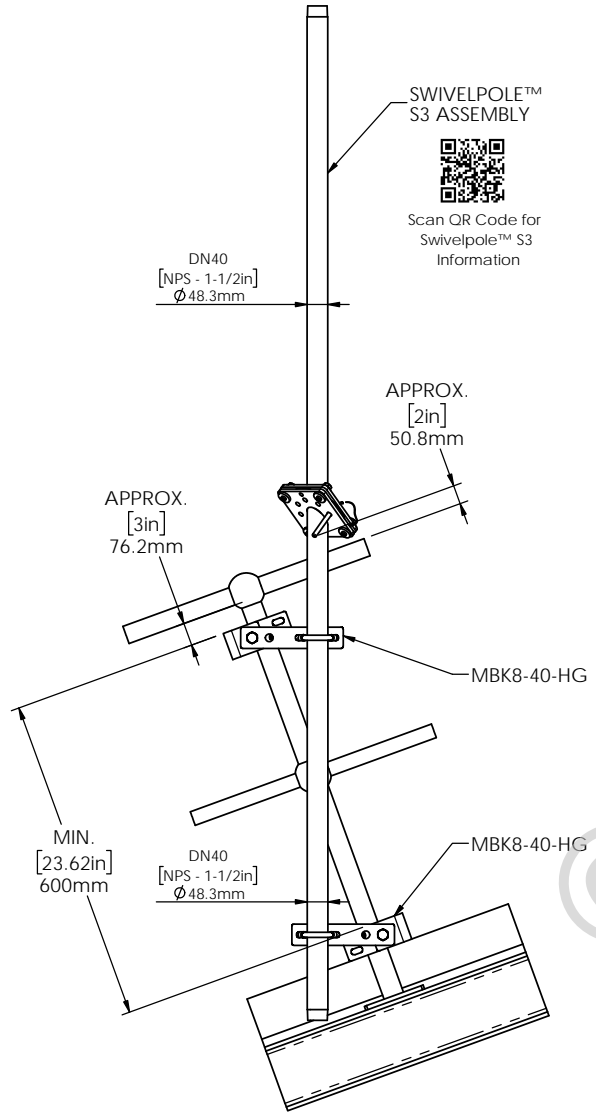


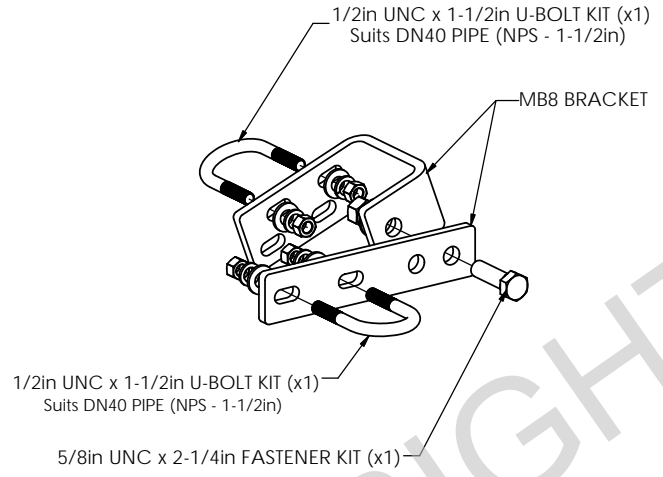
ASSEMBLY	WEIGHT
[8'] S3-2400 cw MBK8-8-40	18.7 kg [41.1 lb]
[10'] S3-3000 cw MBK8-8-40	21.1 kg [46.4 lb]



MBK8-8-40-HG
TYPICAL ASSEMBLY
FINISH: HOT DIPPED GALVANIZED

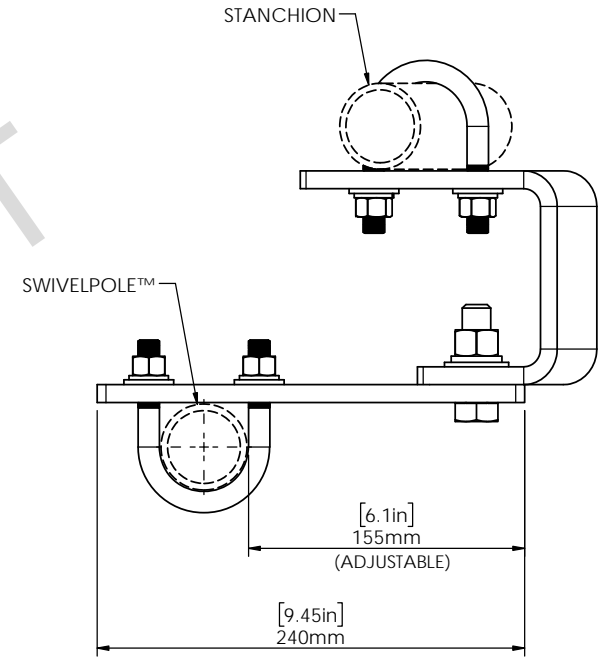
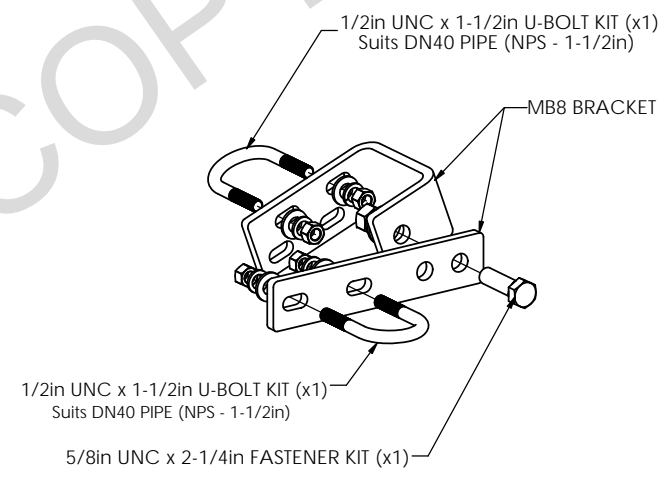
MBK8-40-HG BRACKET

WEIGHT (INCLUDES BRACKET AND FASTENERS) = 3.1 kg [6.82 lb]



MBK8-40-HG BRACKET

WEIGHT (INCLUDES BRACKET AND FASTENERS) = 3.1 kg [6.82 lb]



MBK8 DIMENSIONS
TO SUIT 1-1/2in STANCHION



Scan Code with QR Reader app for more Swivelpole™ Bracket Solutions

PATENTED
PRODUCTS

www.swivelpole.com

Swivelpole

ALL DIMENSIONS IN MILLIMETERS / INCHES		PROJECT	SERIES / CODE	PART NUMBER
		SWIVELPOLE	MBK	MBK8-8-40-HG (RQ1250)
DRAWN BY	AD	DATE	21/3/10	TITLE
CHECKED BY	FB	DATE	23/3/10	Swivelpole™ S3 Mounting Bracket Kit
APPROVED BY	PP	DATE	30/3/10	Typical Installation
THIRD ANGLE PROJECTION	⊕	SCALE	N.T.S.	DRG No
				C-NA-MBK8-8-40-HG
				REV 1 A3

NEC