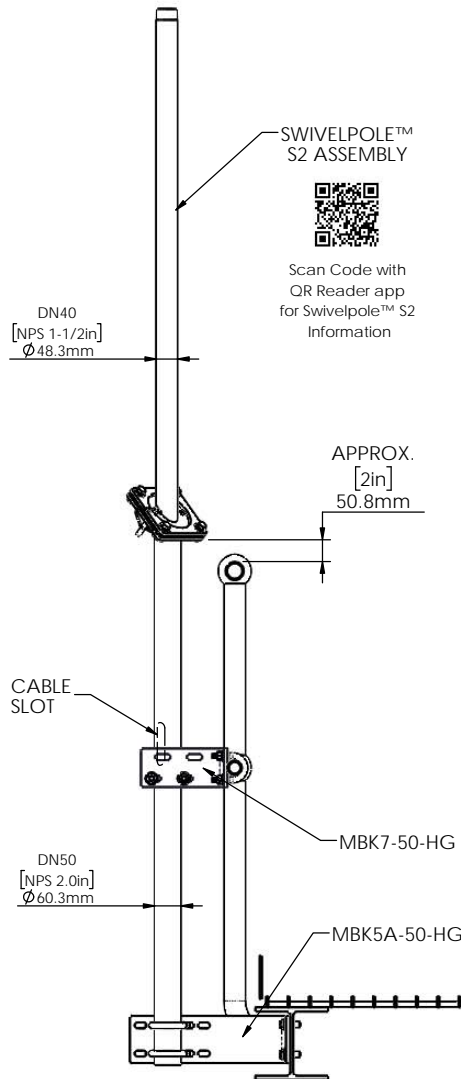


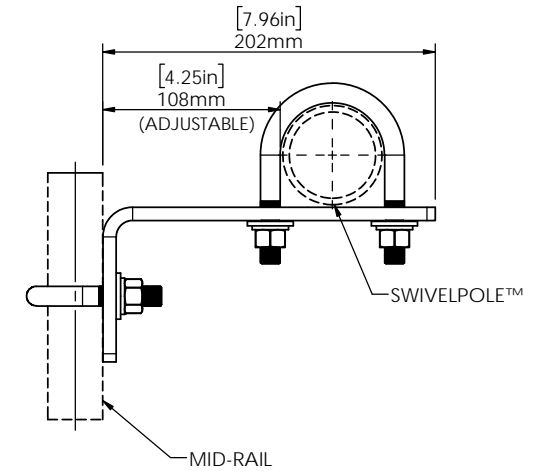
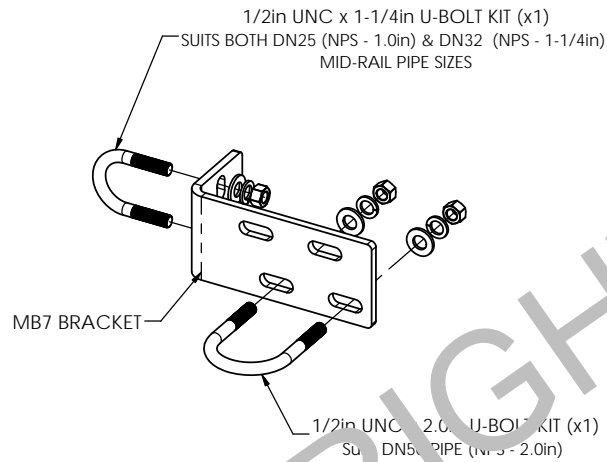
ASSEMBLY	WEIGHT
[8'] S2-2400 cw MBK7-5A-50	21.2 kg [46.64 lb]
[10'] S2-3000 cw MBK7-5A-50	23.6 kg [51.92 lb]



MBK7-5A-50-HG
TYPICAL ASSEMBLY
FINISH: HOT DIPPED GALVANIZED

MBK7-50-HG BRACKET

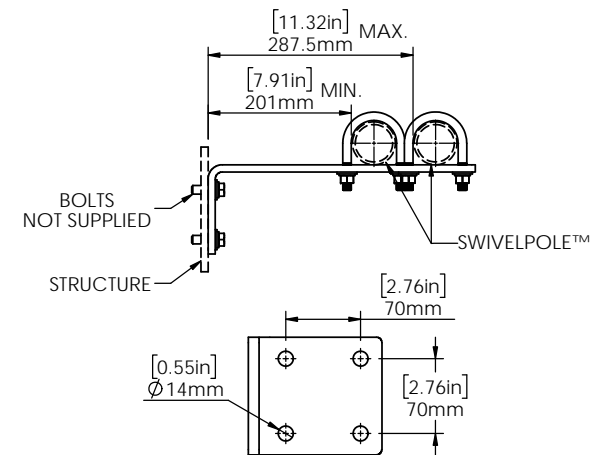
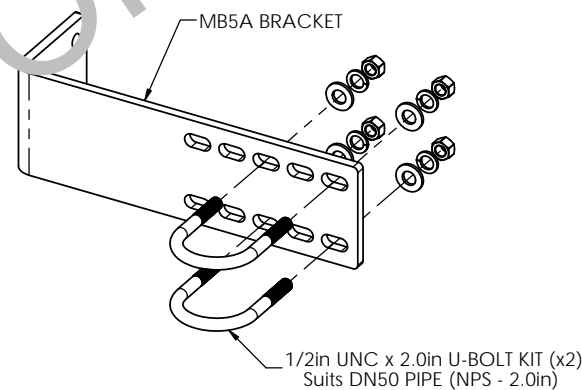
WEIGHT (INCLUDES BRACKET AND FASTENERS) = 1.95 kg [4.29 lb]



MBK7 DIMENSIONS
(TO SUIT DN25 (NPS 1.0in) & DN32 (NPS 1-1/4in) TYPE MID-RAILS)

MBK5A-50-HG BRACKET

WEIGHT (INCLUDES BRACKET AND FASTENERS) = 4.35 kg [9.57 lb]



MBK5A DIMENSIONS



Scan Code with
QR Reader app for more
Swivelpole™ Bracket Solutions

PATENTED
PRODUCTS

www.swivelpole.com

Swivelpole

ALL DIMENSIONS ARE BY MILLIMETERS / INCHES		PROJECT	SERIES / CODE	PART NUMBER
SWIVELPOLE		MBK	MBK7-5A-50-HG (RQ1250)	
DRAWN BY	AD	DATE	21/3/10	
CHECKED BY	FB	DATE	23/3/10	
APPROVED BY	PP	DATE	30/3/10	
THIRD ANGLE PROJECTION	⊕	SCALE	N.T.S.	
TITLE			Swivelpole™ S2 Mounting Bracket Kit Typical Installation Client - Bracket Detail	
DRG No			C-NA-MBK7-5A-50-HG	
REV			2	
A3				