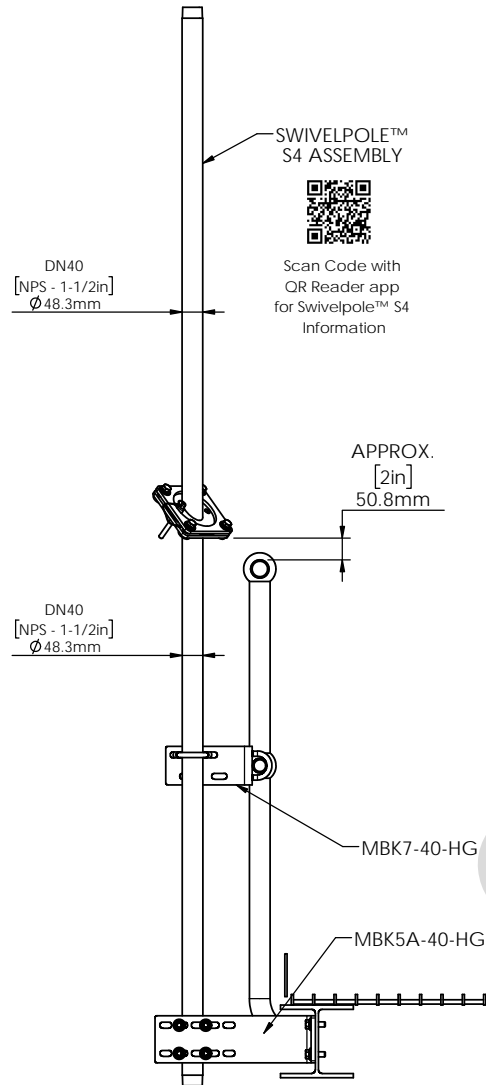


ASSEMBLY	WEIGHT
[8'] S4-2400 cw MBK7-5A-40	19.7 kg [43.34 lb]
[10'] S4-3000 cw MBK7-5A-40	22.1 kg [48.62 lb]



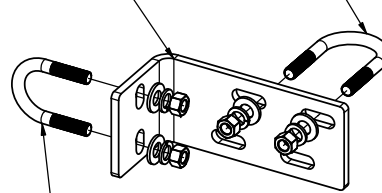
MBK7-5A-40-HG
TYPICAL ASSEMBLY
FINISH: HOT DIPPED GALVANIZED

MBK7-40-HG BRACKET

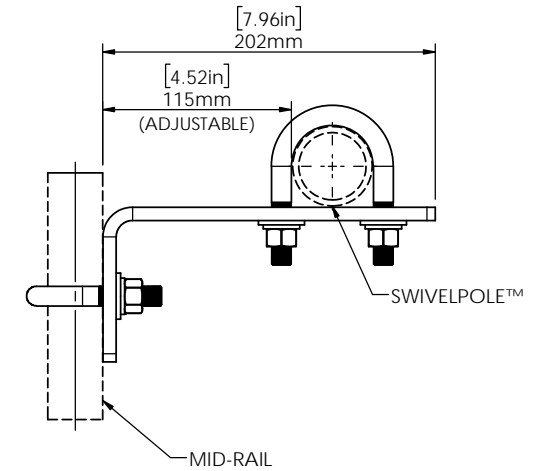
WEIGHT (INCLUDES BRACKET AND FASTENERS) = 1.95 kg [4.29 lb]

1/2in UNC x 1-1/2in U-BOLT KIT (x1)
Suits DN40 PIPE (NPS - 1-1/2in)

MB7 BRACKET



1/2in UNC x 1-1/4in U-BOLT KIT (x1)
SUITS BOTH DN25 (NPS - 1.0in) & DN32 (NPS - 1-1/4in)
MID-RAIL PIPE SIZES

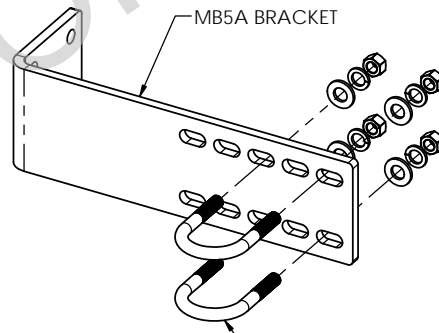


MBK7 DIMENSIONS
(TO SUIT DN25 (NPS 1.0in) & DN32 (NPS 1-1/4in) TYPE MID-RAILS)

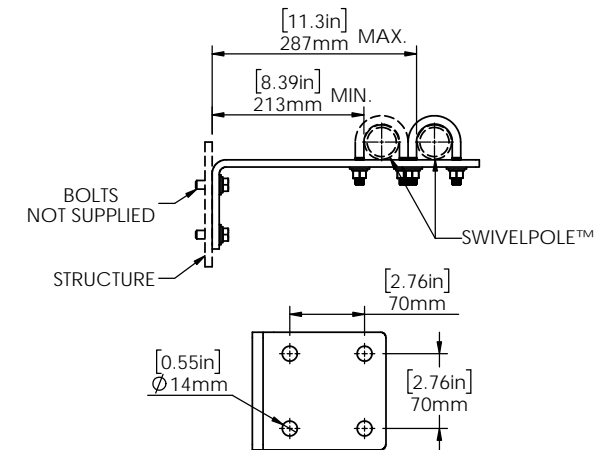
MBK5A-40-HG BRACKET

WEIGHT (INCLUDES BRACKET AND FASTENERS) = 4.35 kg [9.57 lb]

MB5A BRACKET



1/2in UNC x 1-1/2in U-BOLT KIT (x2)
Suits DN40 PIPE (NPS - 1-1/2in)



MBK5A DIMENSIONS



Scan Code with
QR Reader app for more
Swivelpole™ Bracket Solutions

PATENTED
PRODUCTS

www.swivelpole.com

Swivelpole

This document is the property of and protected by copyright owned by Swivelpole Group Pty Ltd. The designs and other information embodied in this document comprise confidential information of Swivelpole Group Pty Ltd and form part of products covered by international patents and registered designs including US patent No 6957832. Unauthorised use, reproduction and disclosure are strictly prohibited. This document must not be removed from the premises of the licensed user of this document without Swivelpole Group Pty Ltd's prior approval.

ALL DIMENSIONS ARE IN MILLIMETERS / INCHES	PROJECT SWIVELPOLE	SERIES / CODE MBK	PART NUMBER MBK7-5A-40-HG	DRG No C-NA-MBK7-5A-40-HG
DRAWN BY AD	DATE 21/3/10	TITLE Swivelpole™ S4 Mounting Bracket Kit	REV 2	A3
CHECKED BY FB	DATE 23/3/10	Client - Bracket Detail		
APPROVED BY PP	DATE 30/3/10			
THIRD ANGLE PROJECTION	SCALE N.T.S.			

NEC