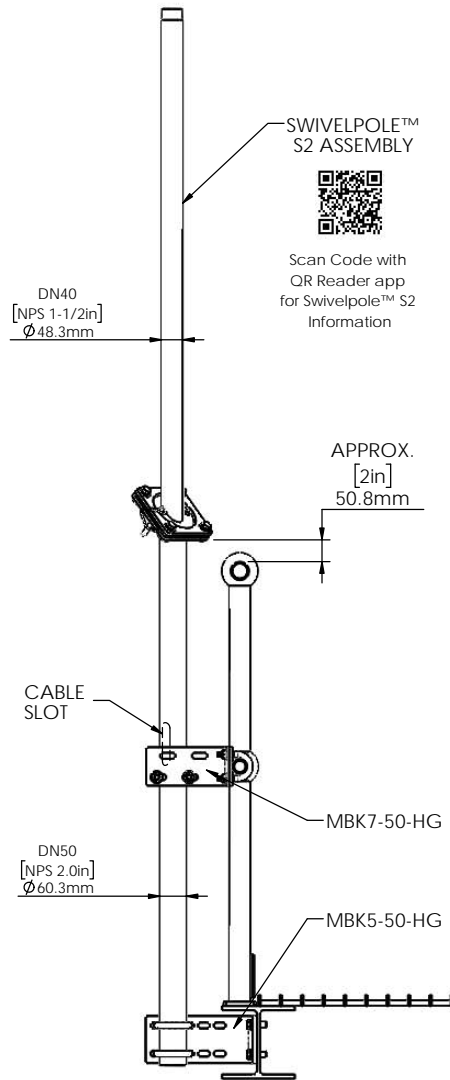


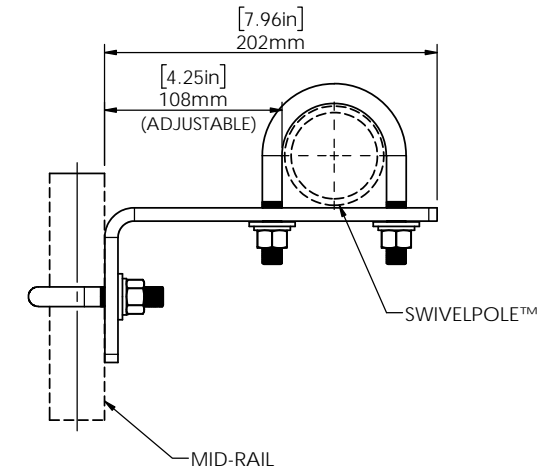
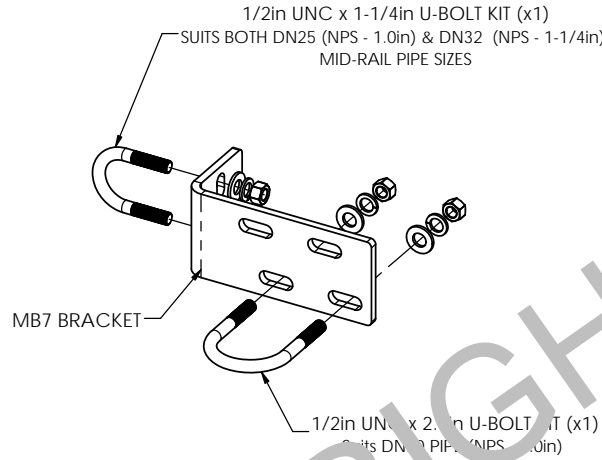
ASSEMBLY	WEIGHT
[8"] S2-2400 cw MBK7-5-50	20.2 kg [44.44 lb]
[10"] S2-3000 cw MBK7-5-50	22.6 kg [49.72 lb]



MBK7-5-50-HG
TYPICAL ASSEMBLY
FINISH: HOT DIPPED GALVANIZED

MBK7-50-HG BRACKET

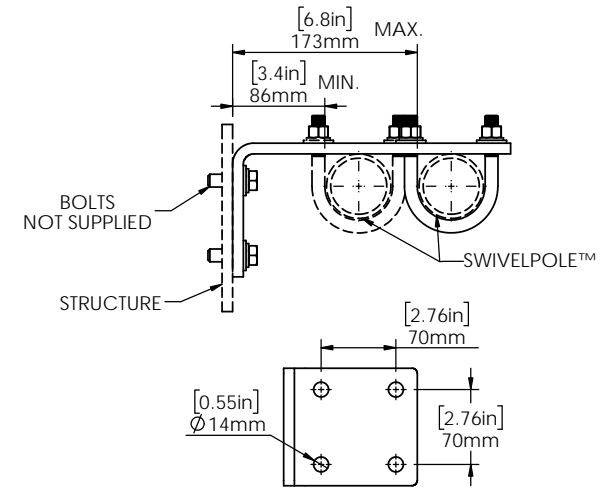
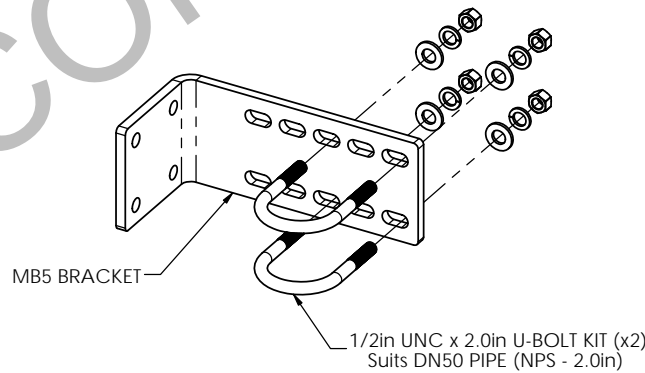
WEIGHT (INCLUDES BRACKET AND FASTENERS) = 1.95 kg [4.29 lb]



MBK7 DIMENSIONS
(TO SUIT DN25 (NPS 1.0in) & DN32 (NPS 1-1/4in) TYPE MID-RAILS)

MBK5-50-HG BRACKET

WEIGHT (INCLUDES BRACKET AND FASTENERS) = 3.35 kg [7.37 lb]



MBK5 DIMENSIONS

IEC



Scan Code with QR Reader app for more Swivelpole™ Bracket Solutions

PATENTED
PRODUCTS

www.swivelpole.com

	<small>ALL DIMENSIONS ARE BY MILLIMETERS / INCHES</small> PROJECT: SWIVELPOLE SERIES / CODE: MBK PART NUMBER: MBK7-5-50-HG (RQ1250)	
	DRAWN BY: AD DATE: 21/3/10	TITLE: Swivelpole™ S2 Mounting Bracket Kit Typical Installation Client - Bracket Detail
	CHECKED BY: FB DATE: 30/3/10	DRG No: C-NA-MBK7-5-50-HG
	APPROVED BY: PP DATE: 31/3/10	SCALE: N.T.S. REV: 2
THIRD ANGLE PROJECTION		

This document is the property of and protected by copyright owned by Swivelpole Group Pty Ltd. The designs and other information embodied in this document comprise confidential information of Swivelpole Group Pty Ltd and form part of products covered by international patents and registered designs including US patent No 6957832. Unauthorised use, reproduction and disclosure are strictly prohibited. This document must not be removed from the premises of the licensed user of this document without Swivelpole Group Pty Ltd's prior approval.