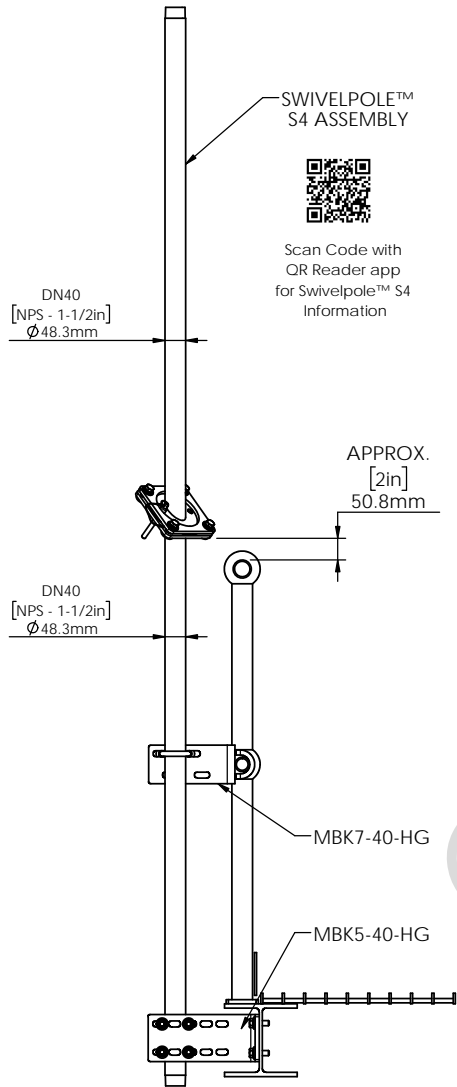


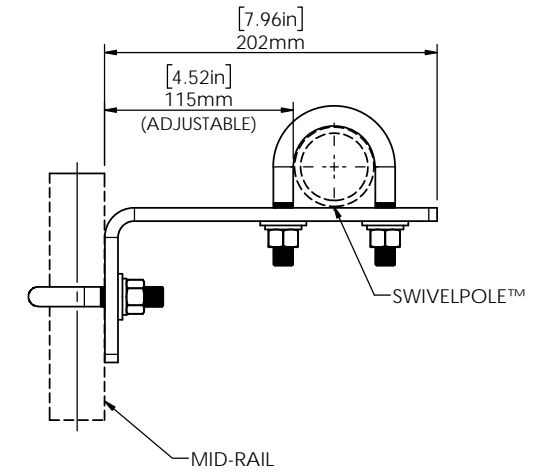
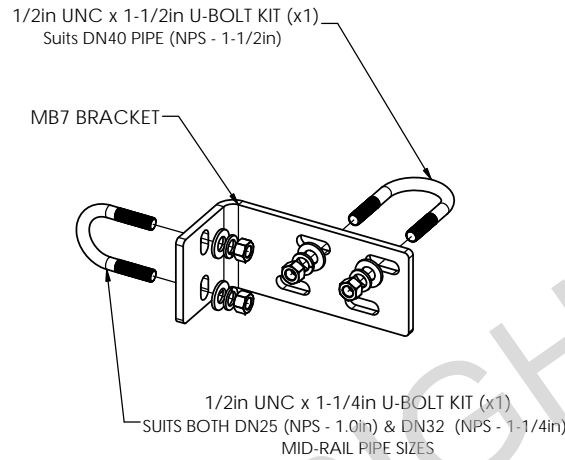
ASSEMBLY	WEIGHT
[8'] S4-2400 cw MBK7-5-40	18.7 kg [41.14 lb]
[10'] S4-3000 cw MBK7-5-40	21.1 kg [46.42 lb]



MBK7-5-40-HG
TYPICAL ASSEMBLY
FINISH: HOT DIPPED GALVANIZED

MBK7-40-HG BRACKET

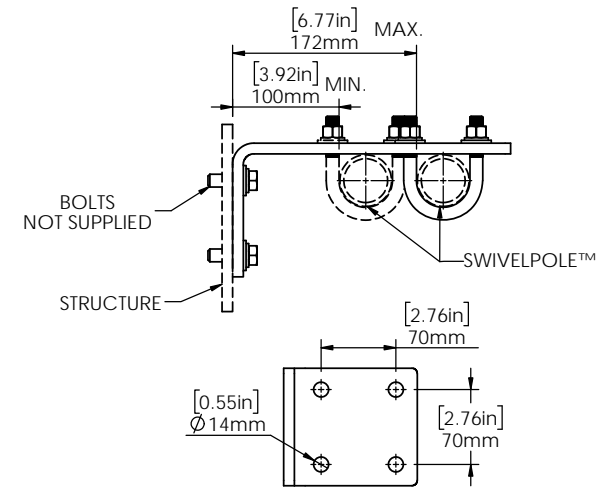
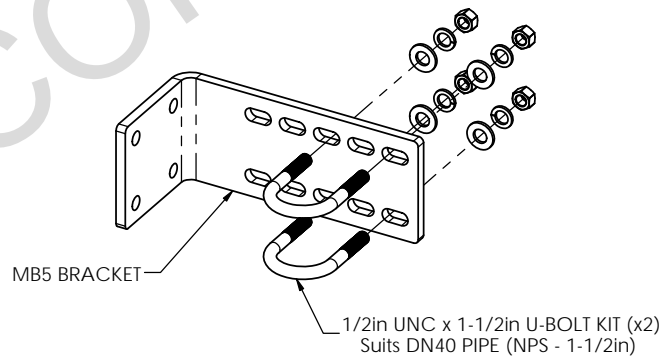
WEIGHT (INCLUDES BRACKET AND FASTENERS) = 1.95 kg [4.29 lb]



MBK7 DIMENSIONS
(TO SUIT DN25 (NPS 1.0in) & DN32 (NPS 1-1/4in) TYPE MID-RAILS)

MBK5-40-HG BRACKET

WEIGHT (INCLUDES BRACKET AND FASTENERS) = 3.35 kg [7.37 lb]



MBK5 DIMENSIONS



Scan Code with QR Reader app for more Swivelpole™ Bracket Solutions

PATENTED
PRODUCTS

www.swivelpole.com

Swivelpole

This document is the property of and protected by copyright owned by Swivelpole Group Pty Ltd. The designs and other information embodied in this document comprise confidential information of Swivelpole Group Pty Ltd and form part of products covered by international patents and registered designs including US patent No 6957832. Unauthorised use, reproduction and disclosure are strictly prohibited. This document must not be removed from the premises of the licensed user of this document without Swivelpole Group Pty Ltd's prior approval.

ALL DIMENSIONS ARE IN MILLIMETERS / INCHES	PROJECT	SERIES / CODE	PART NUMBER
	SWIVELPOLE	MBK	MBK7-5-40-HG (RQ1250)
DRAWN BY: AD	DATE: 21/3/10	TITLE: Swivelpole™ S4 Mounting Bracket Kit Typical Installation	
CHECKED BY: FB	DATE: 30/3/10	Client - Bracket Detail	
APPROVED BY: PP	DATE: 31/3/10		
THIRD ANGLE PROJECTION	SCALE: N.T.S.	DRG No: C-NA-MBK7-5-40-HG	REV: 2 A3

NEC