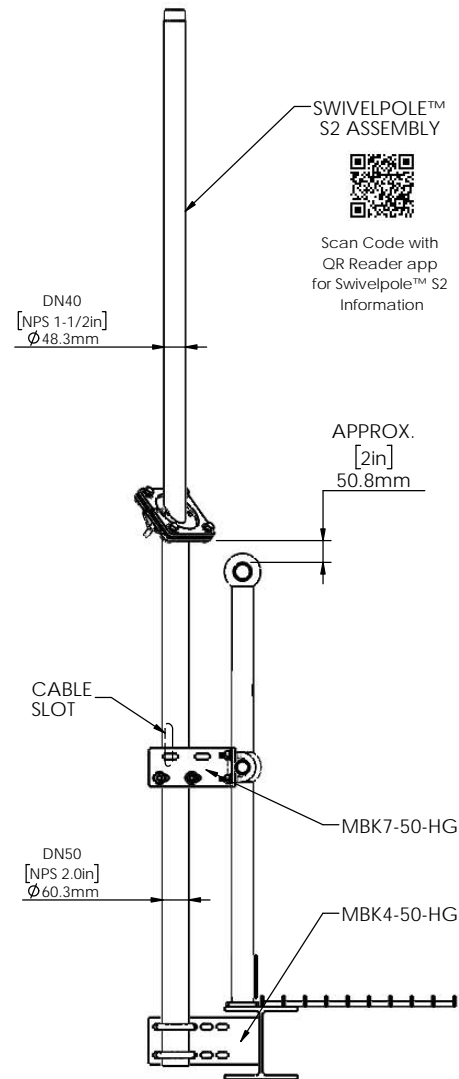


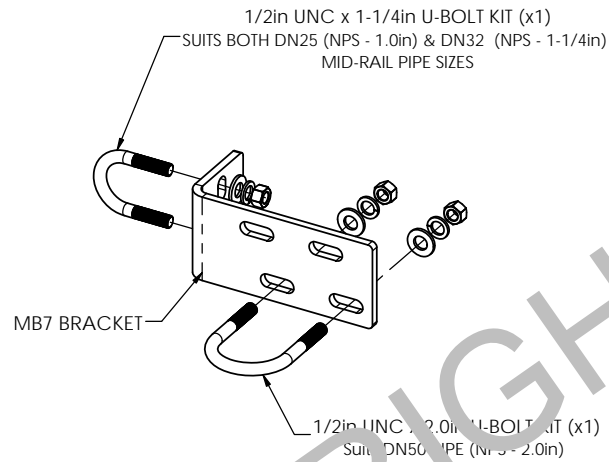
ASSEMBLY	WEIGHT
[8'] S2-2400 cw MBK7-4-50	19.1 kg [42.0 lb]
[10'] S2-3000 cw MBK7-4-50	21.5 kg [47.3 lb]



**MBK7-4-50-HG**  
TYPICAL ASSEMBLY  
FINISH: HOT DIPPED GALVANIZED

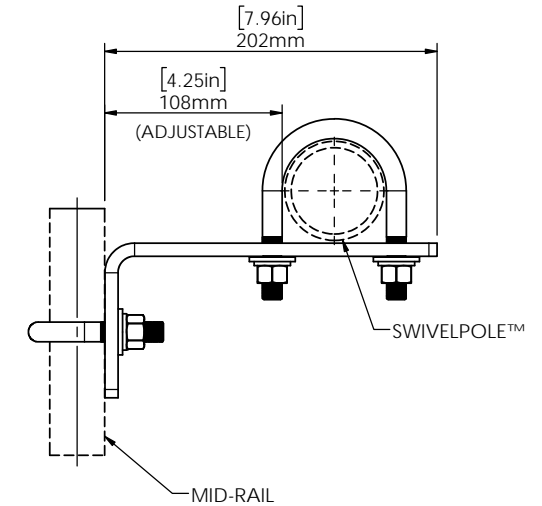
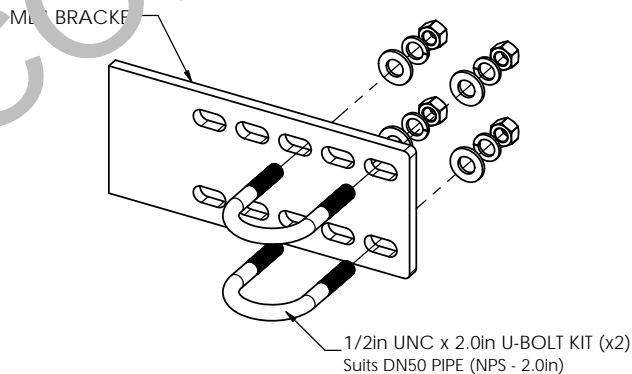
**MBK7-50-HG BRACKET**

WEIGHT (INCLUDES BRACKET AND FASTENERS) = 1.95 kg [4.29 lb]

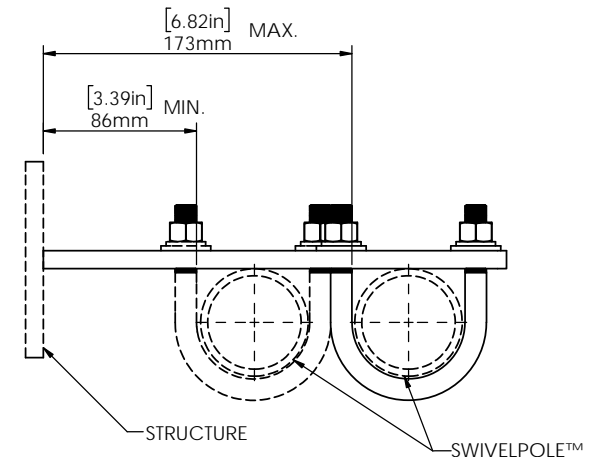


**MBK4-50-HG BRACKET**

WEIGHT (INCLUDES BRACKET AND FASTENERS) = 2.4 kg [5.28 lb]



**MBK7 DIMENSIONS**  
(TO SUIT DN25 (NPS 1.0in) & DN32 (NPS 1-1/4in) TYPE MID-RAILS)



**MBK4 DIMENSIONS**  
(WELDED TO STRUCTURE)



Scan Code with QR Reader app for more Swivelpole™ Bracket Solutions

**PATENTED**  
PRODUCTS

[www.swivelpole.com](http://www.swivelpole.com)

**Swivelpole**

This document is the property of and protected by copyright owned by Swivelpole Group Pty Ltd. The designs and other information embodied in this document comprise confidential information of Swivelpole Group Pty Ltd and form part of products covered by international patents and registered designs including US patent No 6957832. Unauthorised use, reproduction and disclosure are strictly prohibited. This document must not be removed from the premises of the licensed user of this document without Swivelpole Group Pty Ltd's prior approval.

ALL DIMENSIONS BASED BY MILLIMETERS / INCHES	PROJECT SWIVELPOLE	SERIES / CODE MBK	PART NUMBER MBK7-4-50-HG (RQ1250)
DRAWN BY AD	DATE 21/3/10	TITLE Swivelpole™ S2 Mounting Bracket Kit Typical Installation Client - Bracket Detail	REV 2
CHECKED BY FB	DATE 23/3/10	DRG No C-NA-MBK7-4-50-HG	A3
APPROVED BY PP	DATE 31/3/10	SCALE N.T.S.	
THIRD ANGLE PROJECTION			