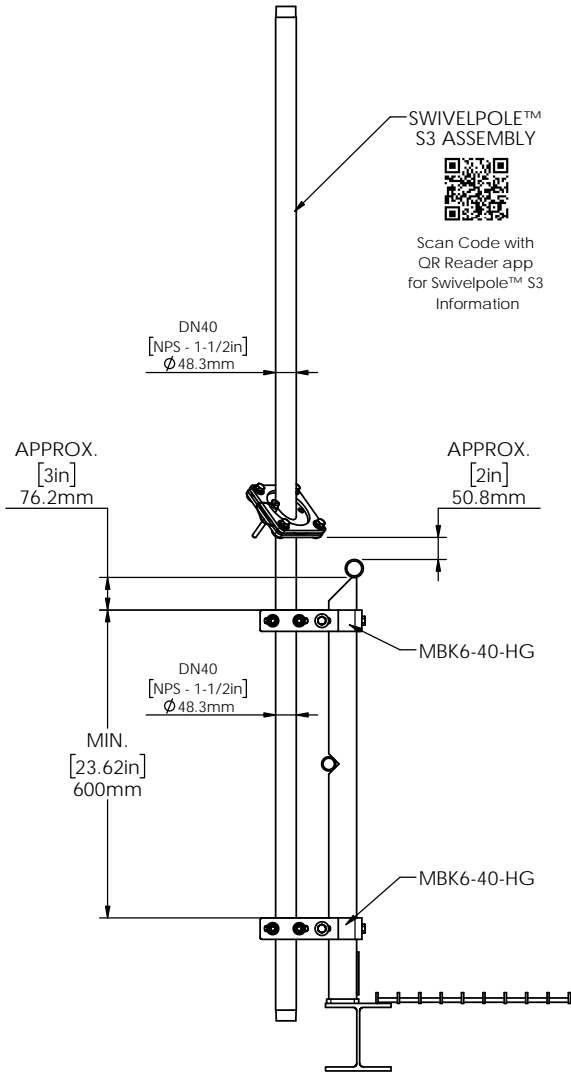


ASSEMBLY	WEIGHT
[8'] S3-2400 cw MBK6-6-40	17.0 kg [37.4 lb]
[10'] S3-3000 cw MBK6-6-40	19.4 kg [42.7 lb]

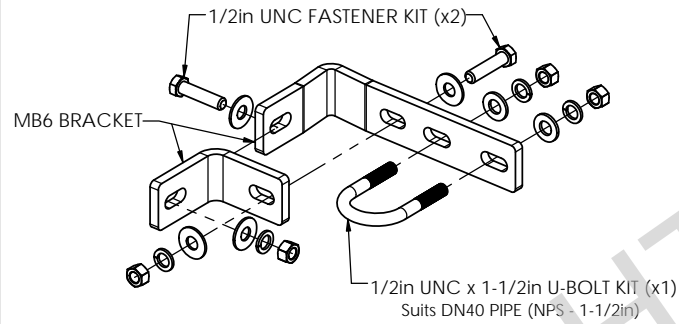


**MBK6-6-40-HG**  
TYPICAL ASSEMBLY  
FINISH: HOT DIPPED GALVANIZED

NEC

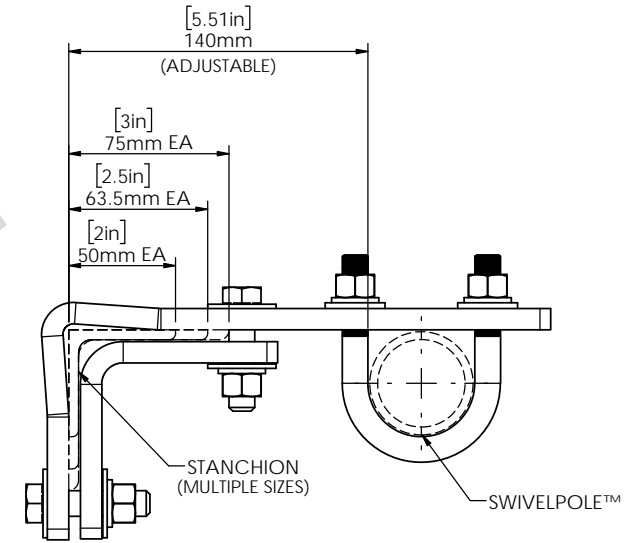
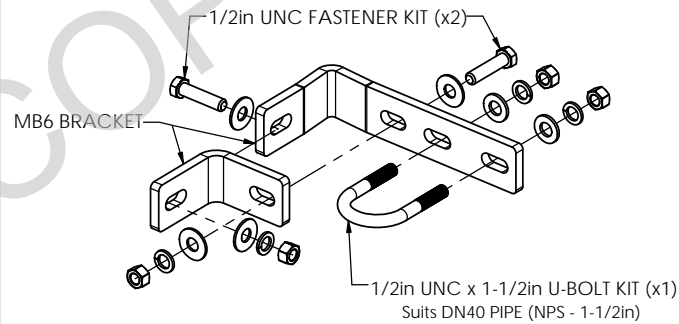
**MBK6-40-HG BRACKET**

WEIGHT (INCLUDES BRACKET AND FASTENERS) = 2.2 kg [4.8 lb]



**MBK6-40-HG BRACKET**

WEIGHT (INCLUDES BRACKET AND FASTENERS) = 2.2 kg [4.8 lb]



**MBK6 DIMENSIONS**

TO SUIT 2in, 2-1/2in AND 3in EQUAL ANGLE STANCHION WITH FLANGE THICKNESS FROM 3/16in TO 3/8in



Scan Code with QR Reader app for more Swivelpole™ Bracket Solutions

**PATENTED**  
PRODUCTS

[www.swivelpole.com](http://www.swivelpole.com)

**Swivelpole**

ALL DIMENSIONS AS SHOWN IN MILLIMETERS / INCHES		PROJECT	SERIES / CODE	PART NUMBER
SWIVELPOLE		MBK	MBK6-6-40-HG (RQ1250)	
DRAWN BY	AD	DATE	21/3/10	
CHECKED BY	FB	DATE	23/3/10	
APPROVED BY	PP	DATE	30/3/10	
THIRD ANGLE PROJECTION	SCALE		N.T.S.	
TITLE			Swivelpole™ S3 Mounting Bracket Kit Typical Installation Client - Bracket Detail	
DRG No			C-NA-MBK6-6-40-HG	
REV			3	
A3				

This document is the property of and protected by copyright owned by Swivelpole Group Pty Ltd. The designs and other information embodied in this document comprise confidential information of Swivelpole Group Pty Ltd and form part of products covered by international patents and registered designs including US patent No 6957832. Unauthorised use, reproduction and disclosure are strictly prohibited. This document must not be removed from the premises of the licensed user of this document without Swivelpole Group Pty Ltd's prior approval.