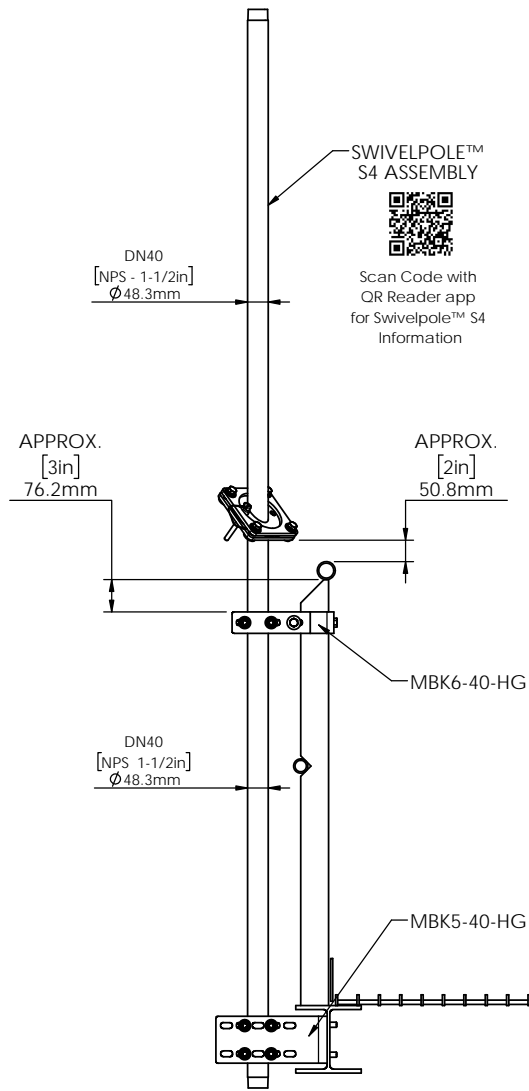


ASSEMBLY	WEIGHT
[8'] S4-2400 cw MBK6-5-40	19.0 kg [41.8 lb]
[10'] S4-3000 cw MBK6-5-40	21.4 kg [47.1 lb]

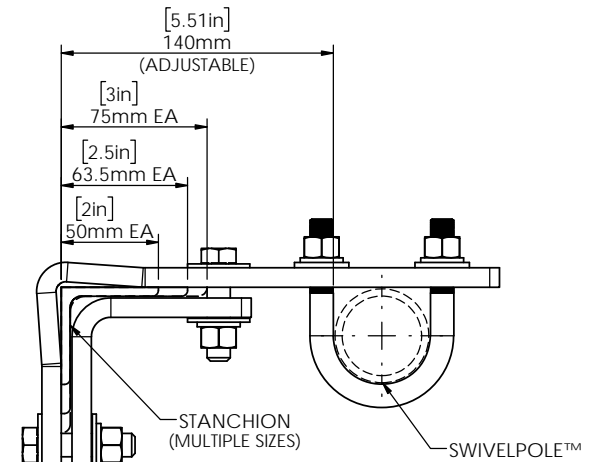
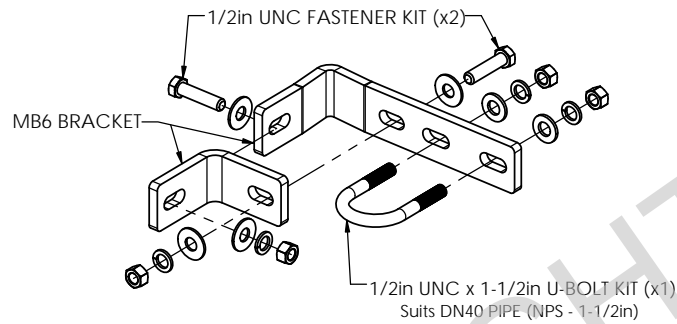


**MBK6-5-40-HG**  
TYPICAL ASSEMBLY  
FINISH: HOT DIPPED GALVANIZED

NEC

**MBK6-40-HG BRACKET**

WEIGHT (INCLUDES BRACKET AND FASTENERS) = 2.2 kg [4.8 lb]

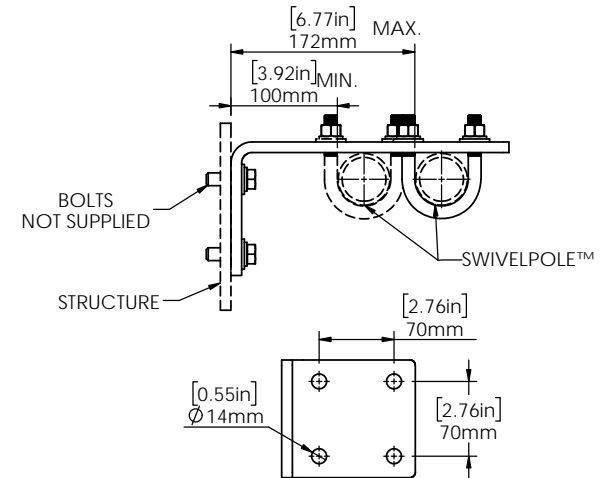
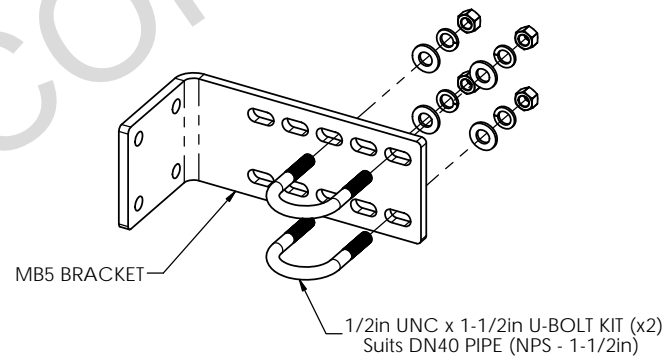


**MBK6 DIMENSIONS**

TO SUIT 2in, 2-1/2in AND 3in EQUAL ANGLE STANCHION  
WITH FLANGE THICKNESS FROM 3/16in TO 3/8in

**MBK5-40-HG BRACKET**

WEIGHT (INCLUDES BRACKET AND FASTENERS) = 3.35 kg [7.37 lb]



**MBK5 DIMENSIONS**



Scan Code with  
QR Reader app for more  
Swivelpole™ Bracket Solutions

**PATENTED**  
PRODUCTS

[www.swivelpole.com](http://www.swivelpole.com)

**Swivelpole**

ALL DIMENSIONS ARE IN MILLIMETERS / INCHES		PROJECT SWIVELPOLE	SERIES / CODE MBK	PART NUMBER MBK6-5-40-HG (RQ1250)
DRAWN BY AD	DATE 21/3/10	TITLE Swivelpole™ S4 Mounting Bracket Kit Typical Installation Client - Bracket Detail		
CHECKED BY FB	DATE 23/3/10	DRG No C-NA-MBK6-5-40-HG		
APPROVED BY PP	DATE 30/3/10	SCALE N.T.S.	REV 3	A3

This document is the property of and protected by copyright owned by Swivelpole Group Pty Ltd. The designs and other information embodied in this document comprise confidential information of Swivelpole Group Pty Ltd and form part of products covered by international patents and registered designs including US patent No 6957832. Unauthorised use, reproduction and disclosure are strictly prohibited. This document must not be removed from the premises of the licensed user of this document without Swivelpole Group Pty Ltd's prior approval.