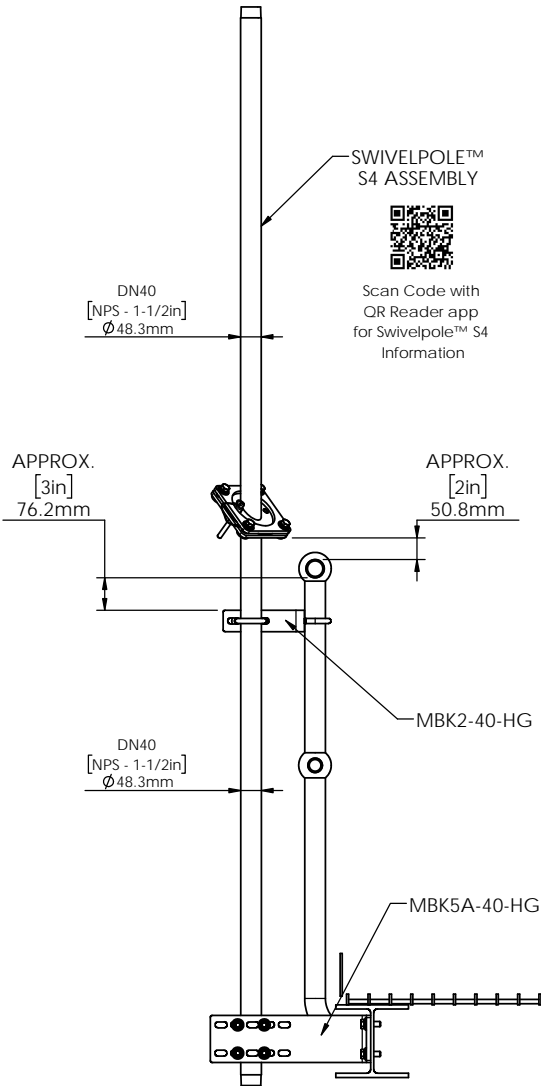


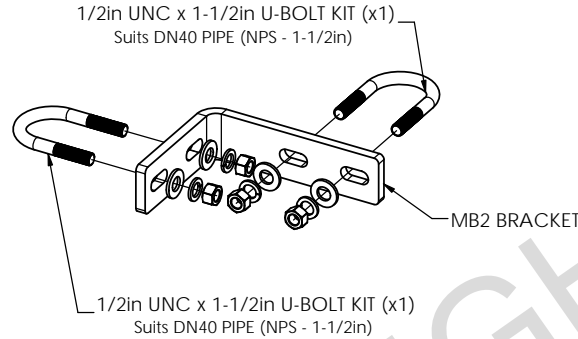
ASSEMBLY	WEIGHT
[8'] S4-2400 cw MBK2-5A-40	19.35 kg [42.6 lb]
[10'] S4-3000 cw MBK2-5A-40	21.75 kg [47.9 lb]



**MBK2-5A-40-HG**  
TYPICAL ASSEMBLY  
FINISH: HOT DIPPED GALVANIZED

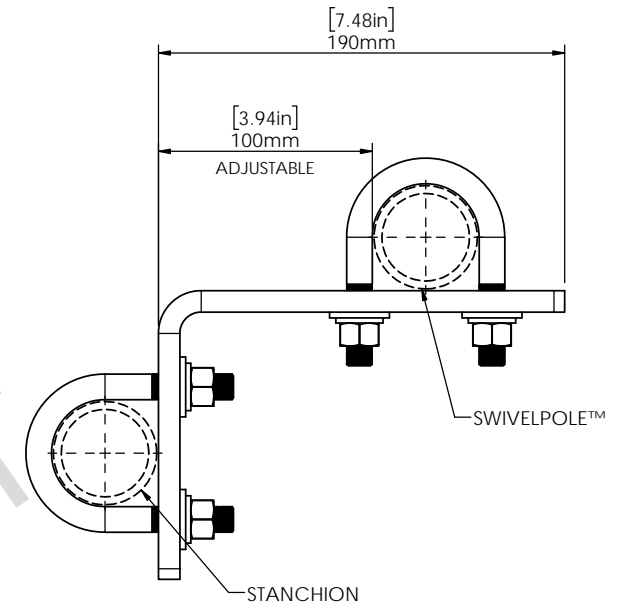
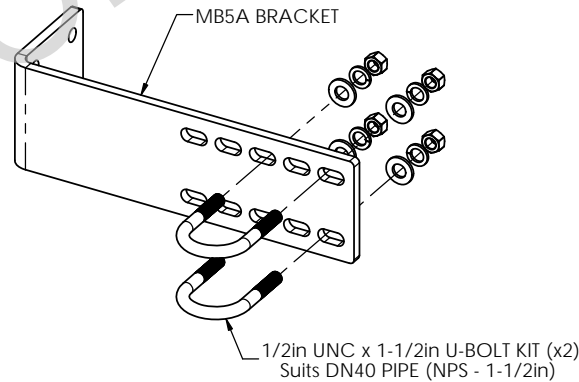
### MBK2-40-HG BRACKET

WEIGHT (INCLUDES BRACKET AND FASTENERS) = 1.6 kg [3.52 lb]

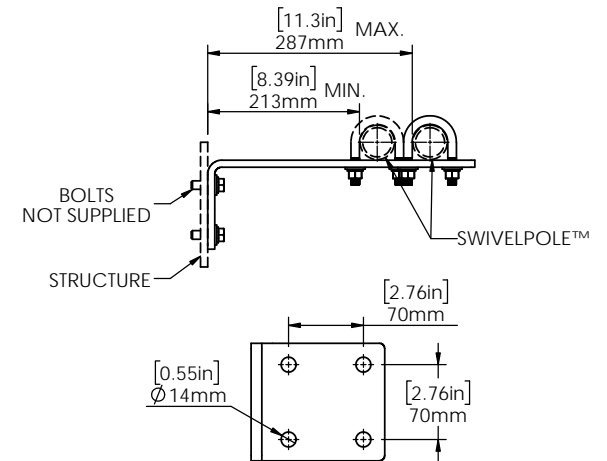


### MBK5A-40-HG BRACKET

WEIGHT (INCLUDES BRACKET AND FASTENERS) = 4.35 kg [9.57 lb]



**MBK2 DIMENSIONS**  
(TO SUIT 1-1/2in STANCHION)



**MBK5A DIMENSIONS**



Scan Code with  
QR Reader app for more  
Swivelpole™ Bracket Solutions

**PATENTED**  
PRODUCTS

[www.swivelpole.com](http://www.swivelpole.com)

**Swivelpole**

ALL DIMENSIONS ARE IN MILLIMETERS / INCHES		PROJECT SWIVELPOLE	SERIES / CODE MBK	PART NUMBER MBK2-5A-40-HG (RQ1250)
DRAWN BY AD	DATE 21/3/10	TITLE Swivelpole™ S4 Mounting Bracket Kit Typical Installation Client - Bracket Detail		
CHECKED BY FB	DATE 23/3/10	DRG No		
APPROVED BY PP	DATE 30/3/10	SCALE N.T.S.	REV 2	A3
THIRD ANGLE PROJECTION				

NEC