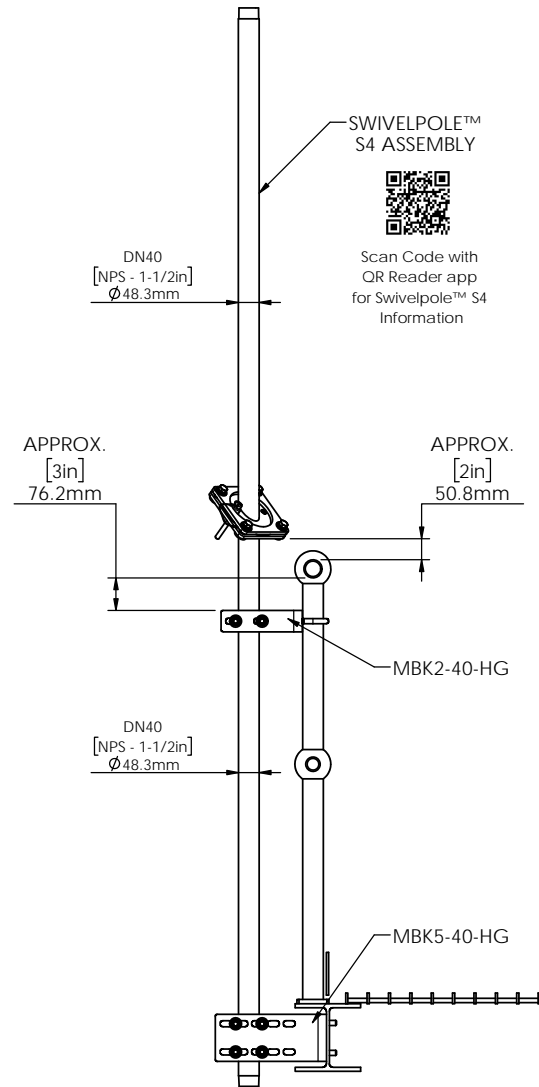


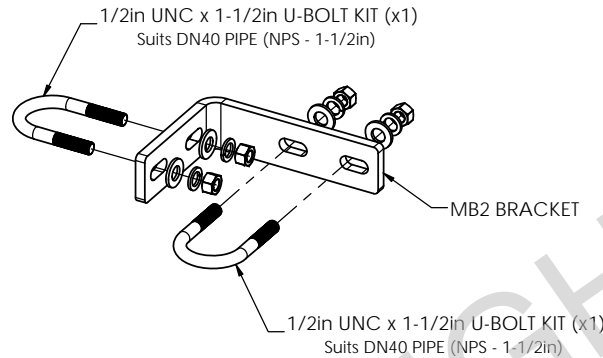
| ASSEMBLY | WEIGHT |
|----------------------------|--------------------|
| [8'] S4-2400 cw MBK2-5-40 | 18.4 kg [40.5 lb] |
| [10'] S4-3000 cw MBK2-5-40 | 20.75 kg [45.6 lb] |



MBK2-5-40-HG
TYPICAL ASSEMBLY
FINISH: HOT DIPPED GALVANIZED

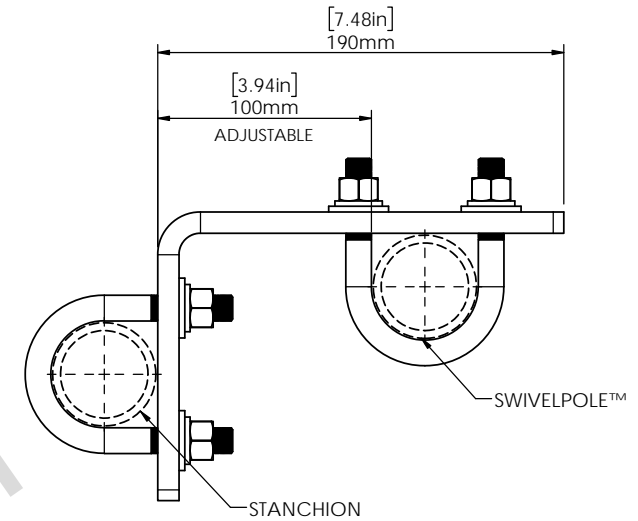
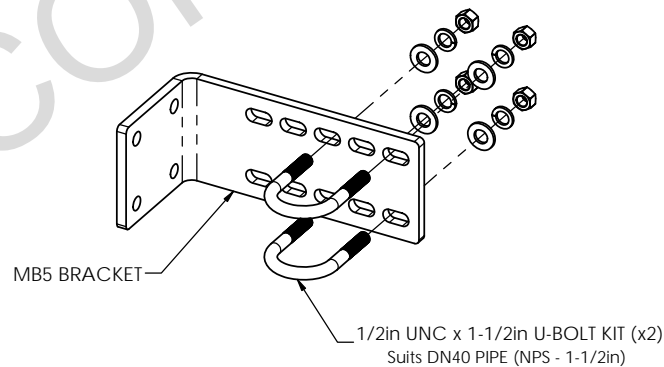
MBK2-40-HG BRACKET

WEIGHT (INCLUDES BRACKET AND FASTENERS) = 1.6 kg [3.52 lb]

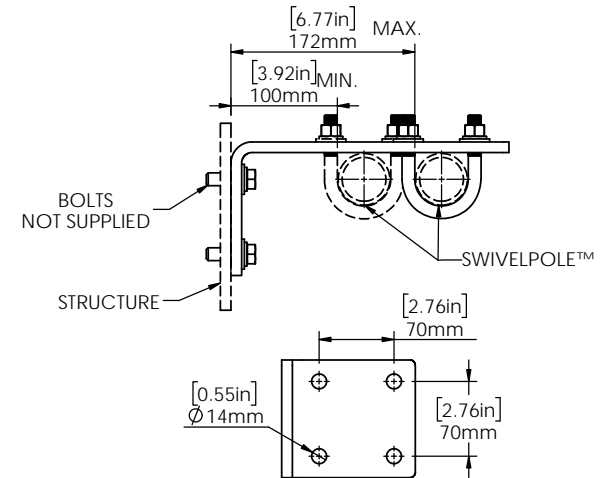


MBK5-40-HG BRACKET

WEIGHT (INCLUDES BRACKET AND FASTENERS) = 3.35 kg [7.37 lb]



MBK2 DIMENSIONS
(TO SUIT 1-1/2in STANCHION)



MBK5 DIMENSIONS

NEC



Scan Code with
QR Reader app for more
Swivelpole™ Bracket Solutions

PATENTED
PRODUCTS

www.swivelpole.com

Swivelpole

This document is the property of and protected by copyright owned by Swivelpole Group Pty Ltd. The designs and other information embodied in this document comprise confidential information of Swivelpole Group Pty Ltd and form part of products covered by international patents and registered designs including US patent No 6957832. Unauthorised use, reproduction and disclosure are strictly prohibited. This document must not be removed from the premises of the licensed user of this document without Swivelpole Group Pty Ltd's prior approval.

| ALL DIMENSIONS ARE IN MILLIMETERS / INCHES | PROJECT SWIVELPOLE | SERIES / CODE MBK | PART NUMBER MBK2-5-40-HG |
|--|-----------------------|--|-----------------------------|
| DRAWN BY AD | DATE 21/3/10 | TITLE Swivelpole™ S4 Mounting Bracket Kit | REV 2 |
| CHECKED BY FB | DATE 23/3/10 | Client - Bracket Detail | A3 |
| APPROVED BY PP | DATE 30/3/10 | DRG No C-NA-MBK2-5-40-HG | |
| THIRD ANGLE PROJECTION | SCALE N.T.S. | | |