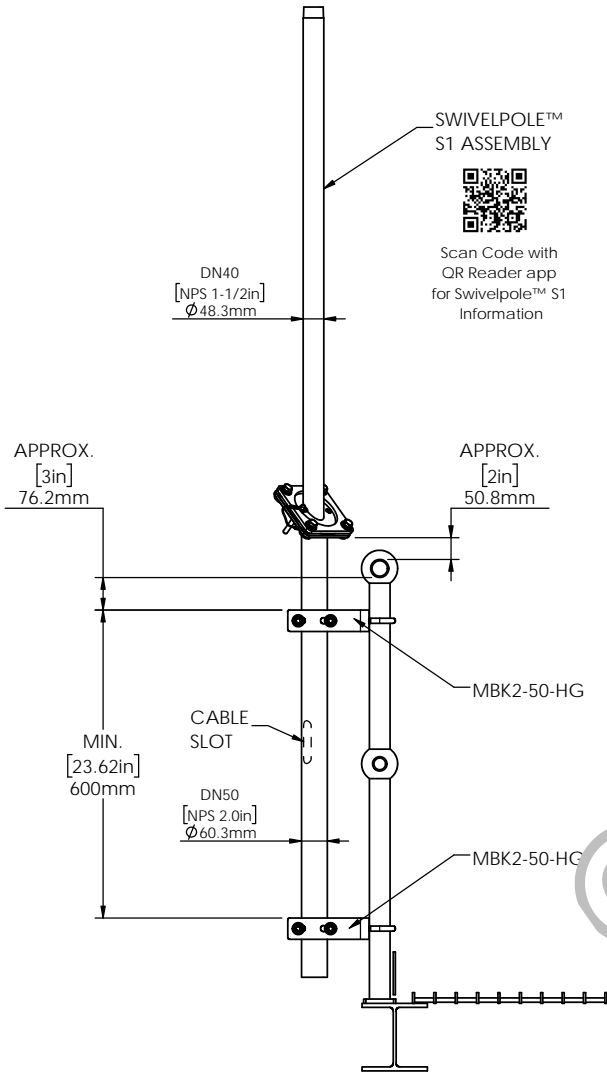


ASSEMBLY	WEIGHT
[8'] S1-2400 cw MBK2-2-50	16.8 kg [37.0 lb]
[10'] S1-3000 cw MBK2-2-50	19.2 kg [42.2 lb]

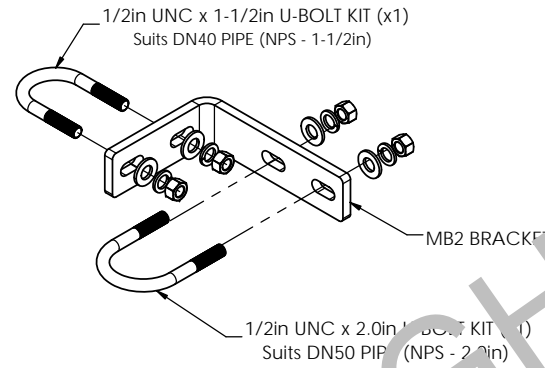


MBK2-2-50-HG
TYPICAL ASSEMBLY
FINISH: HOT DIPPED GALVANIZED

IEC

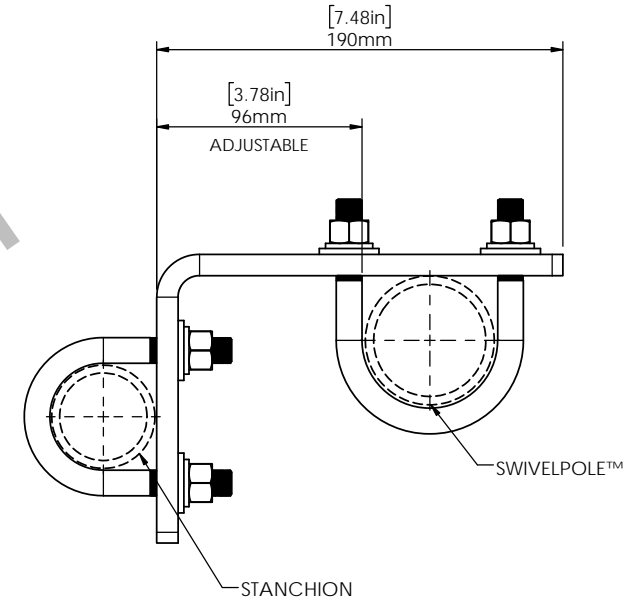
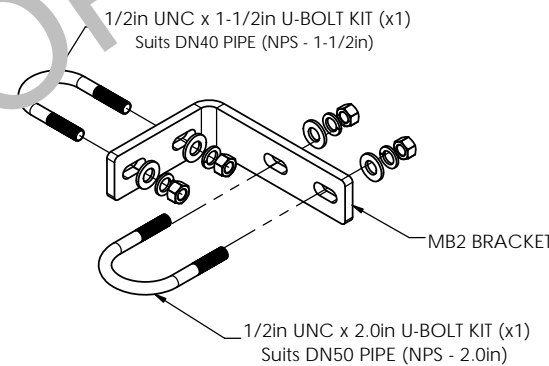
MBK2-50-HG BRACKET

WEIGHT (INCLUDES BRACKET & FASTENERS) = 1.6 kg [3.52 lb]



MBK2-50-HG BRACKET

WEIGHT (INCLUDES BRACKET & FASTENERS) = 1.6 kg [3.52 lb]



MBK2 DIMENSIONS
(TO SUIT 1-1/2in STANCHION)



Scan Code with
QR Reader app for more
Swivelpole™ Bracket Solutions

PATENTED
PRODUCTS

www.swivelpole.com

Swivelpole

This document is the property of and protected by copyright owned by Swivelpole Group Pty Ltd. The designs and other information embodied in this document comprise confidential information of Swivelpole Group Pty Ltd and form part of products covered by international patents and registered designs including US patent No 6957832. Unauthorised use, reproduction and disclosure are strictly prohibited. This document must not be removed from the premises of the licensed user of this document without Swivelpole Group Pty Ltd's prior approval.		
PROJECT SWIVELPOLE	SERIES / CODE MBK	PART NUMBER MBK2-2-50-HG (RQ1250)
DRAWN BY AD	DATE 21/3/10	TITLE Swivelpole™ S1 Mounting Bracket Kit Typical Installation Client - Bracket Detail
CHECKED BY FB	DATE 23/3/10	
APPROVED BY PP	DATE 30/3/10	
THIRD ANGLE PROJECTION	SCALE N.T.S.	DRG No C-NA-MBK2-2-50-HG
		REV 1 A3