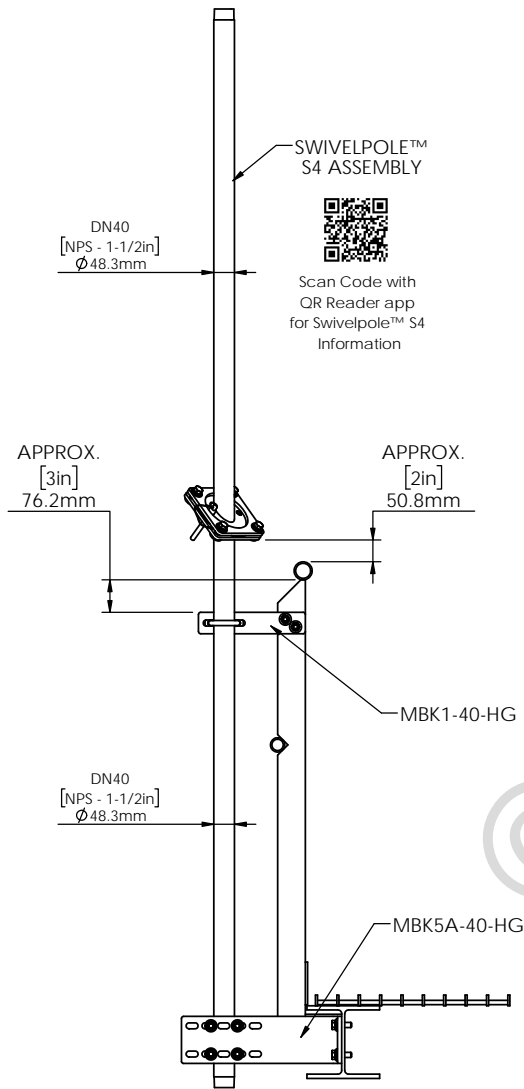


ASSEMBLY	WEIGHT
[8'] S4-2400 cw MBK1-5A-40	19 kg [41.8 lb]
[10'] S4-3000 cw MBK1-5A-40	21.5 kg [47.3 lb]

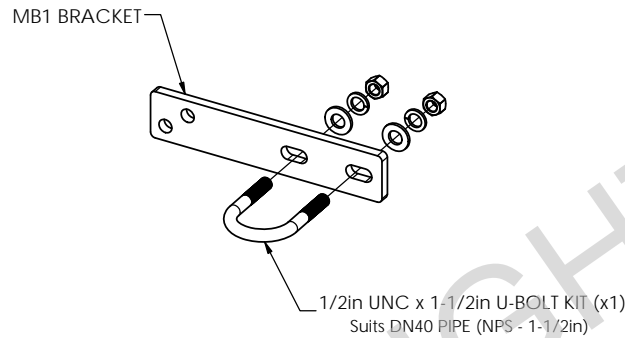


**MBK1-5A-40-HG**  
TYPICAL ASSEMBLY  
FINISH: HOT DIPPED GALVANIZED

NEC

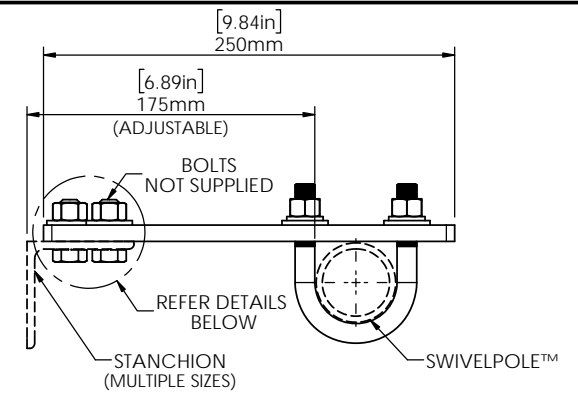
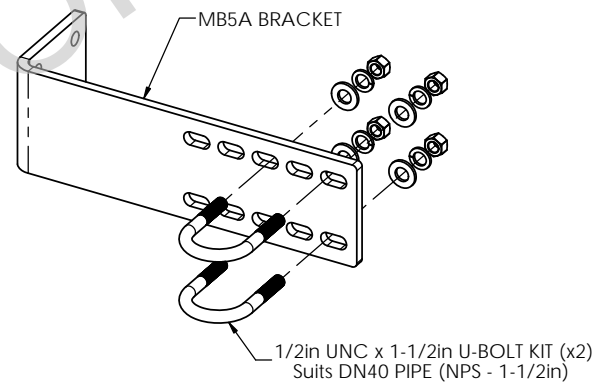
**MBK1-40-HG BRACKET**

WEIGHT (INCLUDES BRACKET AND FASTENERS)= 1.2 kg [2.64 lb]

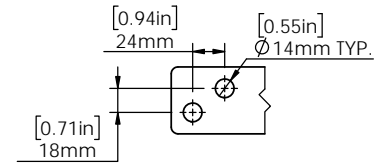


**MBK5A-40-HG BRACKET**

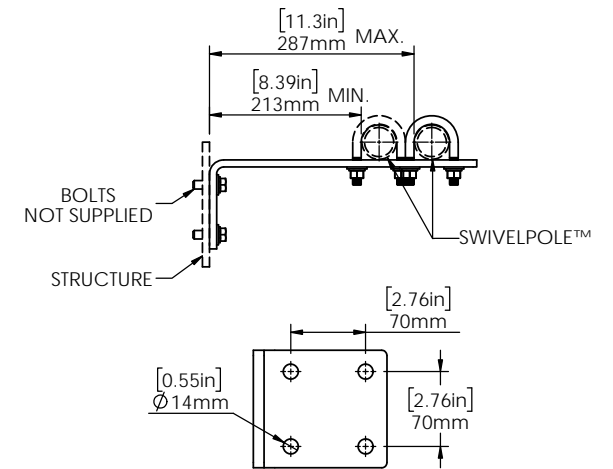
WEIGHT (INCLUDES BRACKET AND FASTENERS)= 4.35 kg [9.57 lb]



**MBK1 DIMENSIONS**  
(TO SUIT MULTIPLE ANGLE TYPE STANCHIONS)



**MBK1 STRUCTURE FIXING DETAIL**  
(CAN BE WELDED OR BOLTED TO STRUCTURE)



**MBK5A DIMENSIONS**



Scan Code with QR Reader app for more Swivelpole™ Bracket Solutions

**PATENTED**  
PRODUCTS

[www.swivelpole.com](http://www.swivelpole.com)

**Swivelpole**

This document is the property of and protected by copyright owned by Swivelpole Group Pty Ltd. The designs and other information embodied in this document comprise confidential information of Swivelpole Group Pty Ltd and form part of products covered by international patents and registered designs including US patent No 6957832. Unauthorised use, reproduction and disclosure are strictly prohibited. This document must not be removed from the premises of the licensed user of this document without Swivelpole Group Pty Ltd's prior approval.

ALL DIMENSIONS ARE IN MILLIMETERS / INCHES	PROJECT	SERIES / CODE	PART NUMBER
	SWIVELPOLE	MBK	MBK1-5A-40-HG (RQ1250)
DRAWN BY: AD	DATE: 21/3/10	TITLE: Swivelpole™ S4 Mounting Bracket Kit	
CHECKED BY: FB	DATE: 23/3/10	Client - Bracket Detail	
APPROVED BY: PP	DATE: 30/3/10	DRG No: C-NA-MBK1-5A-40-HG	REV: 2
THIRD ANGLE PROJECTION	SCALE: N.T.S.		A3