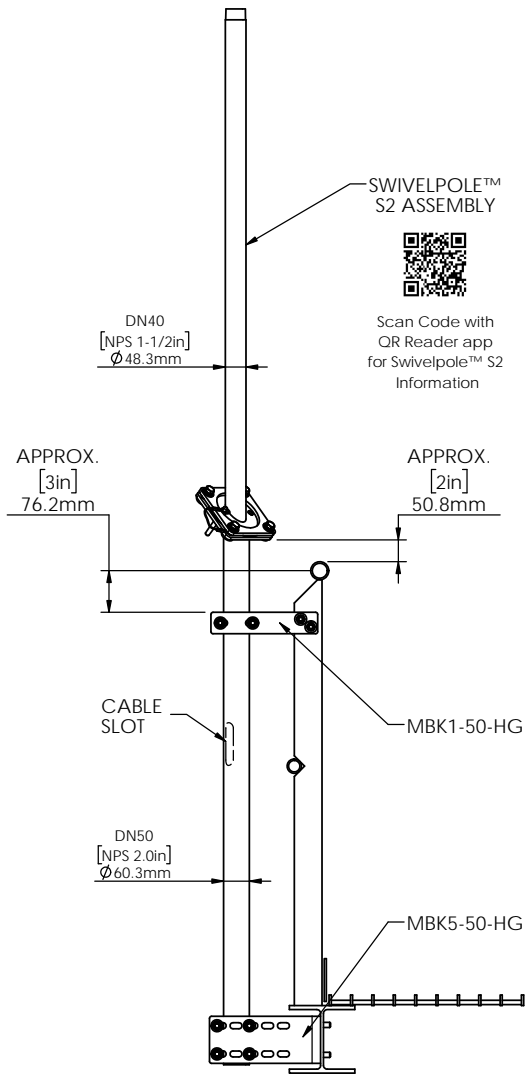


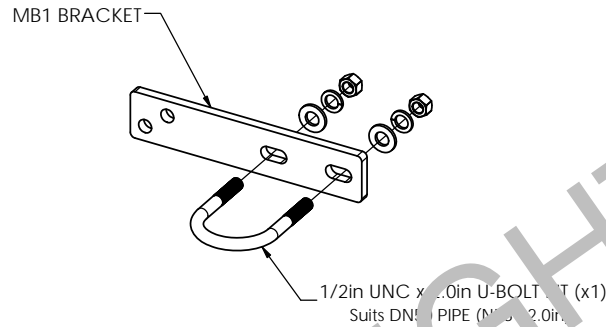
ASSEMBLY	WEIGHT
[8'] S2-2400 cw MBK1-5-50	19.6 kg [43.1 lb]
[10'] S2-3000 cw MBK1-5-50	22.0 kg [48.4 lb]



**MBK1-5-50-HG**  
TYPICAL ASSEMBLY  
FINISH: HOT DIPPED GALVANIZED

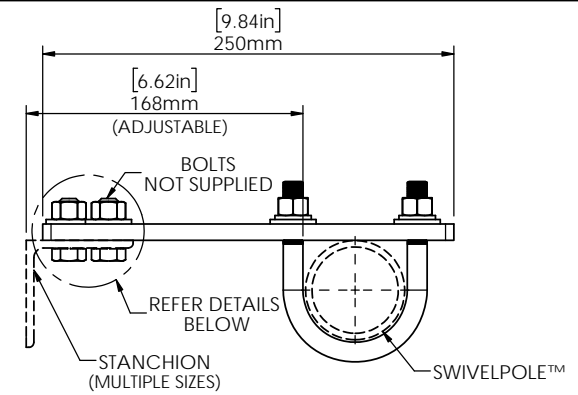
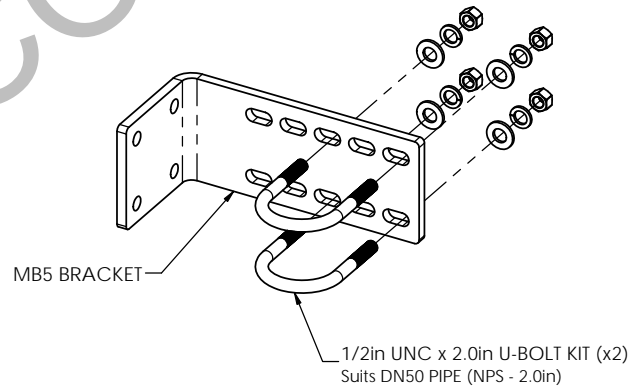
### MBK1-50-HG BRACKET

WEIGHT (INCLUDES BRACKET AND FASTENERS) = 1.2 kg [2.64 lb]

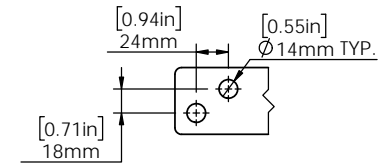


### MBK5-50-HG BRACKET

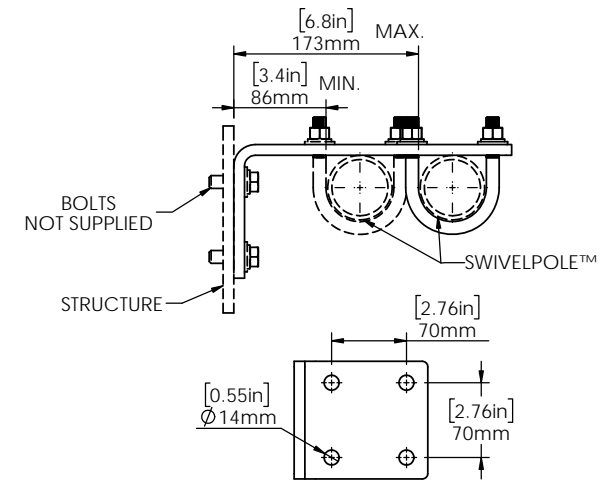
WEIGHT (INCLUDES BRACKET AND FASTENERS) = 3.35 kg [7.37 lb]



**MBK1 DIMENSIONS**  
(TO SUIT MULTIPLE ANGLE TYPE STANCHIONS)



**MBK1 STRUCTURE FIXING DETAIL**  
(CAN BE WELDED OR BOLTED TO STRUCTURE)



**MBK5 DIMENSIONS**



Scan Code with  
QR Reader app for more  
Swivelpole™ Bracket Solutions

**PATENTED**  
PRODUCTS

[www.swivelpole.com](http://www.swivelpole.com)

**Swivelpole**

This document is the property of and protected by copyright owned by Swivelpole Group Pty Ltd. The designs and other information embodied in this document comprise confidential information of Swivelpole Group Pty Ltd and form part of products covered by international patents and registered designs including US patent No 6957832. Unauthorised use, reproduction and disclosure are strictly prohibited. This document must not be removed from the premises of the licensed user of this document without Swivelpole Group Pty Ltd's prior approval.			
ALL DIMENSIONS IN MILLIMETERS / INCHES	PROJECT SWIVELPOLE	SERIES / CODE MBK	PART NUMBER MBK1-5-50-HG (RQ1250)
DRAWN BY AD	DATE 21/3/10	TITLE Swivelpole™ S2 Mounting Bracket Kit Typical Installation Client - Bracket Detail	
CHECKED BY FB	DATE 23/3/10	REV 2	
APPROVED BY PP	DATE 30/3/10	DRG No C-NA-MBK1-5-50-HG	
THIRD ANGLE PROJECTION	SCALE N.T.S.	REV 2	

IEC