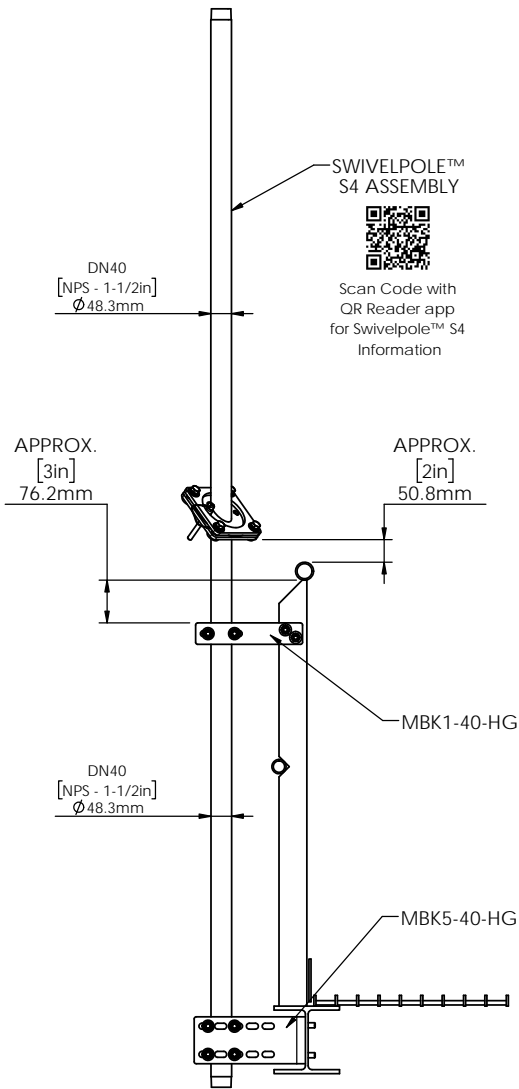


ASSEMBLY	WEIGHT
[8'] S4-2400 cw MBK1-5-40	18 kg [39.6 lb]
[10'] S4-3000 cw MBK1-5-40	20 kg [44 lb]

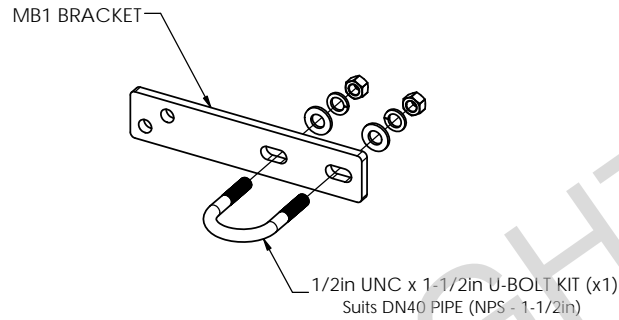


MBK1-5-40-HG
TYPICAL ASSEMBLY
FINISH: HOT DIPPED GALVANIZED

NEC

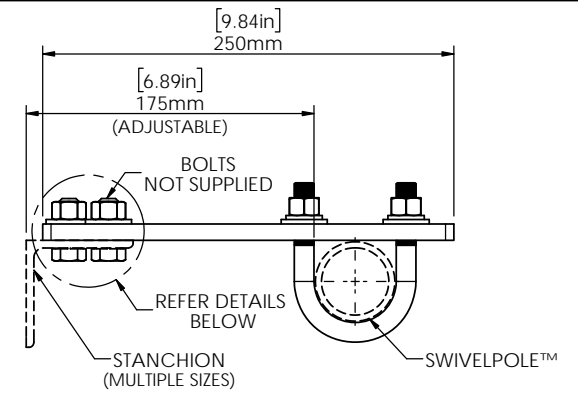
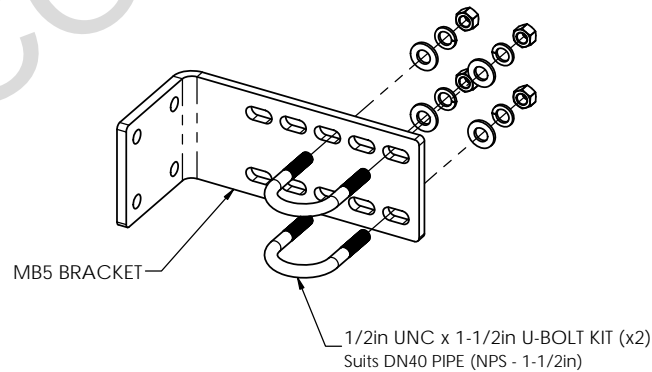
MBK1-40-HG BRACKET

WEIGHT (INCLUDES BRACKET AND FASTENERS) = 1.2 kg [2.64 lb]

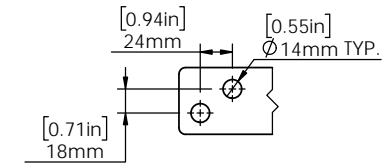


MBK5-40-HG BRACKET

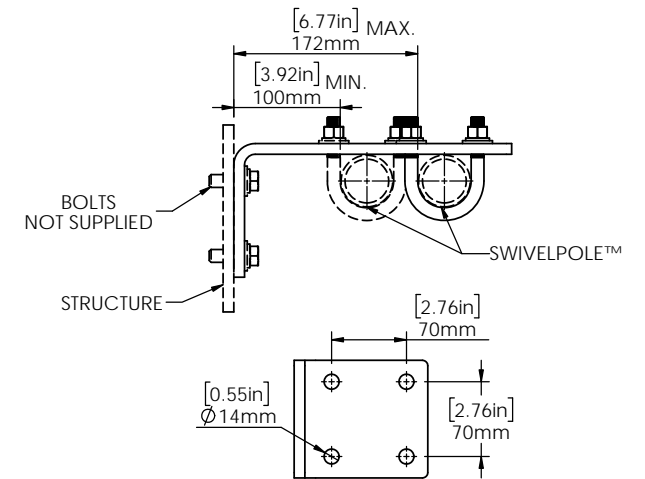
WEIGHT (INCLUDES BRACKET AND FASTENERS) = 3.35 kg [7.37 lb]



MBK1 DIMENSIONS
(TO SUIT MULTIPLE ANGLE TYPE STANCHIONS)



MBK1 STRUCTURE FIXING DETAIL
(CAN BE WELDED OR BOLTED TO STRUCTURE)



MBK5 DIMENSIONS



Scan Code with QR Reader app for more Swivelpole™ Bracket Solutions

PATENTED
PRODUCTS

www.swivelpole.com

Swivelpole

ALL DIMENSIONS ARE IN MILLIMETERS / INCHES		PROJECT	SERIES / CODE	PART NUMBER
SWIVELPOLE		MBK	MBK1-5-40-HG (RQ1250)	
DRAWN BY	AD	DATE	21/3/10	
CHECKED BY	FB	DATE	23/3/10	
APPROVED BY	PP	DATE	30/3/10	
THIRD ANGLE PROJECTION	⊕	SCALE	N.T.S.	
TITLE			Swivelpole™ S4 Mounting Bracket Kit Typical Installation Client - Bracket Detail	
DRG No			C-NA-MBK1-5-40-HG	
REV			2	
A3				

This document is the property of and protected by copyright owned by Swivelpole Group Pty Ltd. The designs and other information embodied in this document comprise confidential information of Swivelpole Group Pty Ltd and form part of products covered by international patents and registered designs including US patent No 6957832. Unauthorised use, reproduction and disclosure are strictly prohibited. This document must not be removed from the premises of the licensed user of this document without Swivelpole Group Pty Ltd's prior approval.