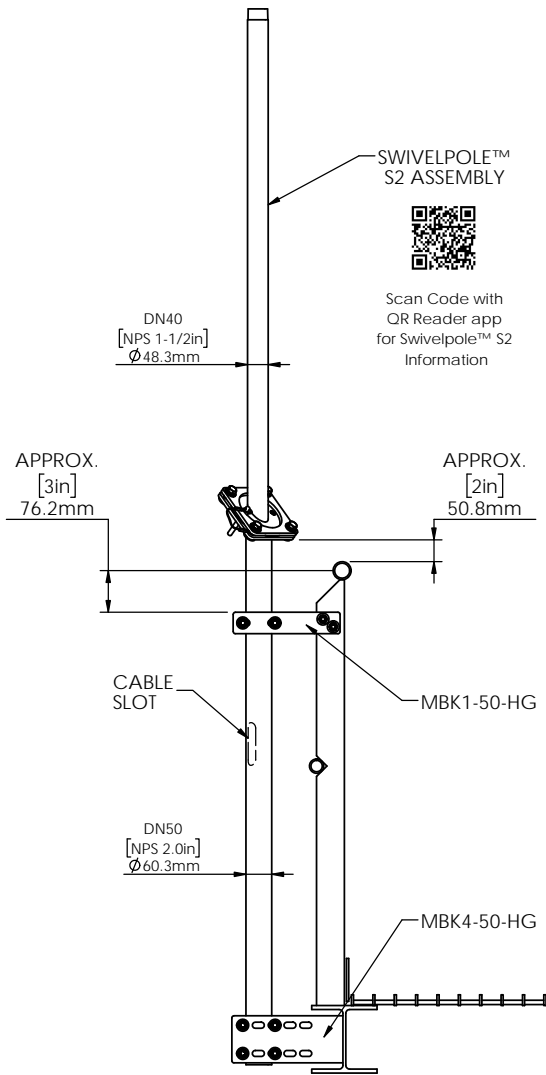


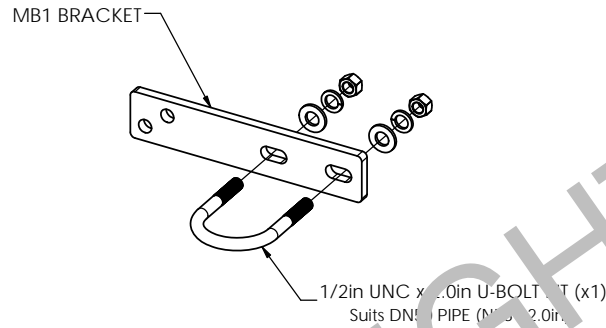
ASSEMBLY	WEIGHT
[8'] S2-2400 cw MBK1-4-50	17.9 kg [39.4 lb]
[10'] S2-3000 cw MBK1-4-50	20.3 kg [44.7 lb]



MBK1-4-50-HG
TYPICAL ASSEMBLY
FINISH: HOT DIPPED GALVANIZED

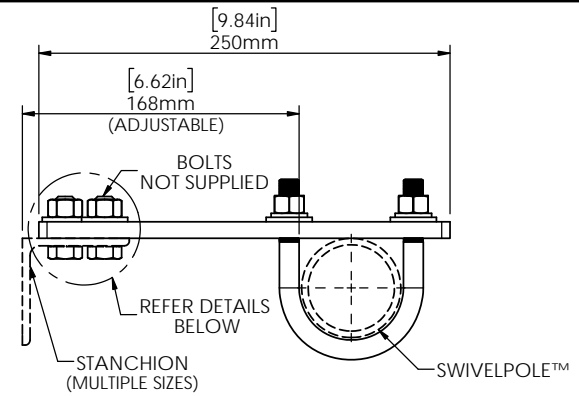
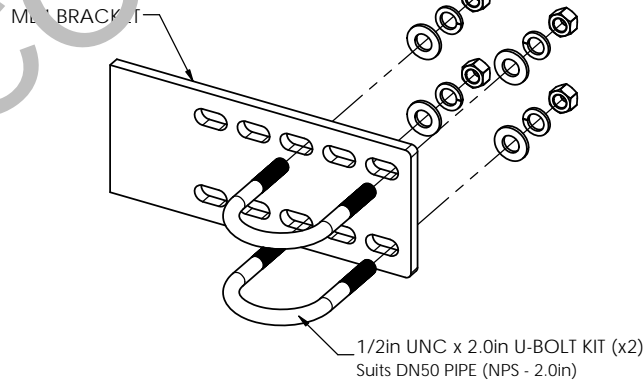
MBK1-50-HG BRACKET

WEIGHT (INCLUDES BRACKET AND FASTENERS) = 1.2 kg [2.64 lb]

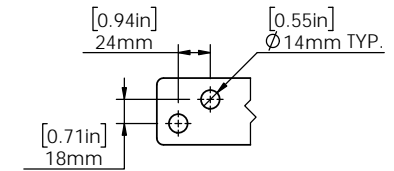


MBK4-50-HG BRACKET

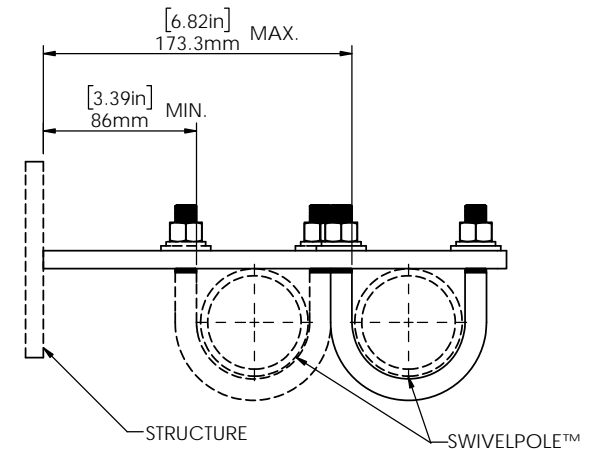
WEIGHT (INCLUDES BRACKET AND FASTENERS) = 2.4 kg [5.28 lb]



MBK1 DIMENSIONS
(TO SUIT MULTIPLE ANGLE TYPE STANCHIONS)



MBK1 STRUCTURE FIXING DETAIL
(CAN BE WELDED OR BOLTED TO STRUCTURE)



MBK4 DIMENSIONS
(WELDED TO STRUCTURE)

IEC



Scan Code with
QR Reader app for more
Swivelpole™ Bracket Solutions

PATENTED
PRODUCTS

www.swivelpole.com

	<small>ALL DIMENSIONS ARE IN MILLIMETERS / INCHES</small> PROJECT: SWIVELPOLE SERIES / CODE: MBK PART NUMBER: MBK1-4-50-HG (RQ1250)	
	DRAWN BY: AD DATE: 21/3/10	TITLE: Swivelpole™ S2 Mounting Bracket Kit Typical Installation Client - Bracket Detail
	CHECKED BY: FB DATE: 23/3/10	REV: 1 A3
	APPROVED BY: PP DATE: 30/3/10	DRG No: C-NA-MBK1-4-50-HG
THIRD ANGLE PROJECTION	SCALE: N.T.S.	

This document is the property of and protected by copyright owned by Swivelpole Group Pty Ltd. The designs and other information embodied in this document comprise confidential information of Swivelpole Group Pty Ltd and form part of products covered by international patents and registered designs including US patent No 6957832. Unauthorised use, reproduction and disclosure are strictly prohibited. This document must not be removed from the premises of the licensed user of this document without Swivelpole Group Pty Ltd's prior approval.