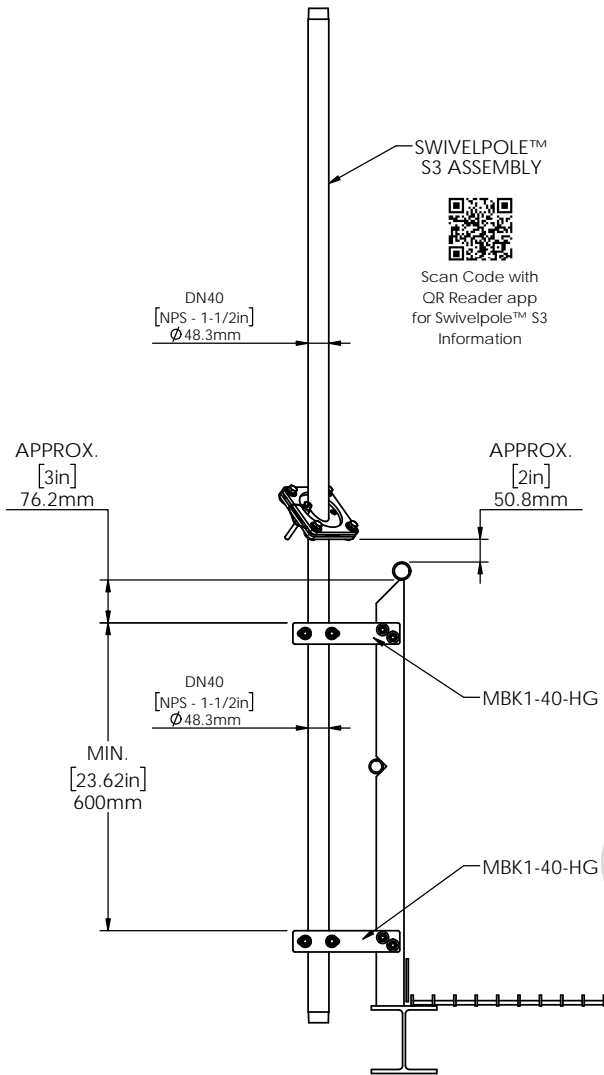


ASSEMBLY	WEIGHT
[8'] S3-2400 cw MBK1-1-40	15.2 kg [33.4 lb]
[10'] S3-3000 cw MBK1-1-40	17.6 kg [38.7lb]



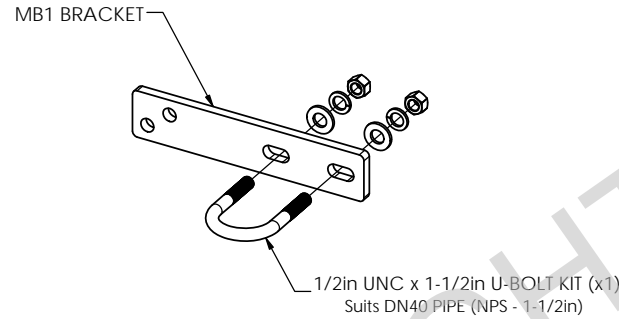
MBK1-1-40-HG
TYPICAL ASSEMBLY
FINISH: HOT DIPPED GALVANIZED



Scan Code with QR Reader app for Swivelpole™ S3 Information

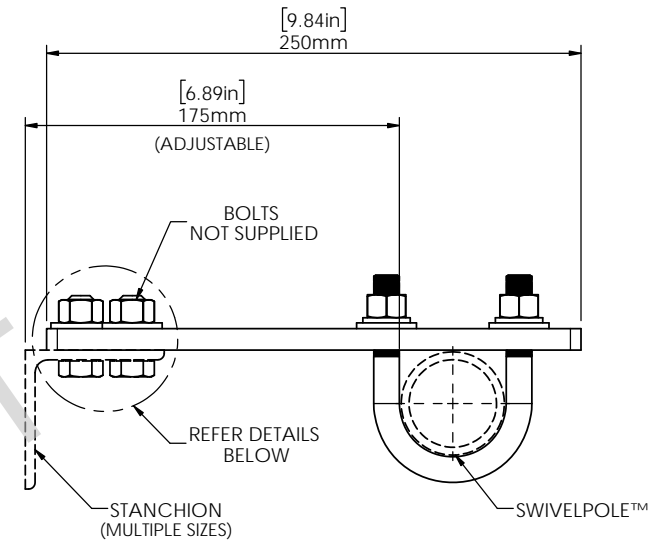
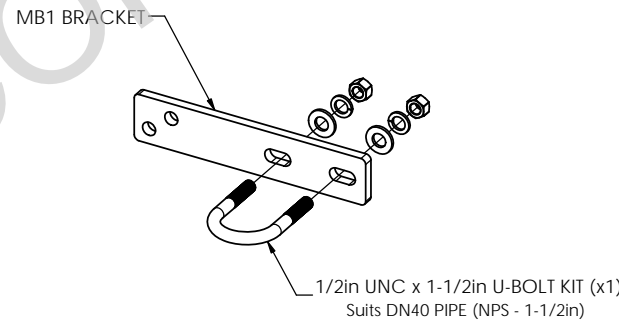
MBK1-40-HG BRACKET

WEIGHT (INCLUDES BRACKET AND FASTENERS) = 1.2 kg [2.64 lb]

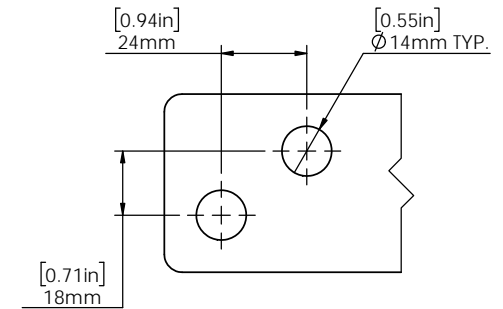


MBK1-40-HG BRACKET

WEIGHT (INCLUDES BRACKET AND FASTENERS) = 1.2 kg [2.64 lb]



MBK1 DIMENSIONS
(TO SUIT MULTIPLE ANGLE TYPE STANCHIONS)



MBK1 STRUCTURE FIXING DETAIL
(CAN BE WELDED OR BOLTED TO STRUCTURE)



Scan Code with QR Reader app for more Swivelpole™ Bracket Solutions

PATENTED
PRODUCTS

www.swivelpole.com

Swivelpole

ALL DIMENSIONS ARE IN MILLIMETERS / INCHES		PROJECT SWIVELPOLE	SERIES / CODE MBK	PART NUMBER MBK1-1-40-HG (RQ1250)
DRAWN BY AD	DATE 21/3/10	TITLE Swivelpole™ S3 Mounting Bracket Kit Typical Installation Client - Bracket Detail		
CHECKED BY FB	DATE 23/3/10	DRG No C-NA-MBK1-1-40-HG		
APPROVED BY PP	DATE 30/3/10	SCALE N.T.S.	REV 1	A3

NEC