

PART NUMBER = H3-1500-10-P-HG

MATERIAL = Steel - HDG Finish
 WEIGHT = 13.4 kg (29.5 lb)



IEC & NEC Compliant



Scan Code with QR Reader app for more Swivelpole™ Horizontal Product Information

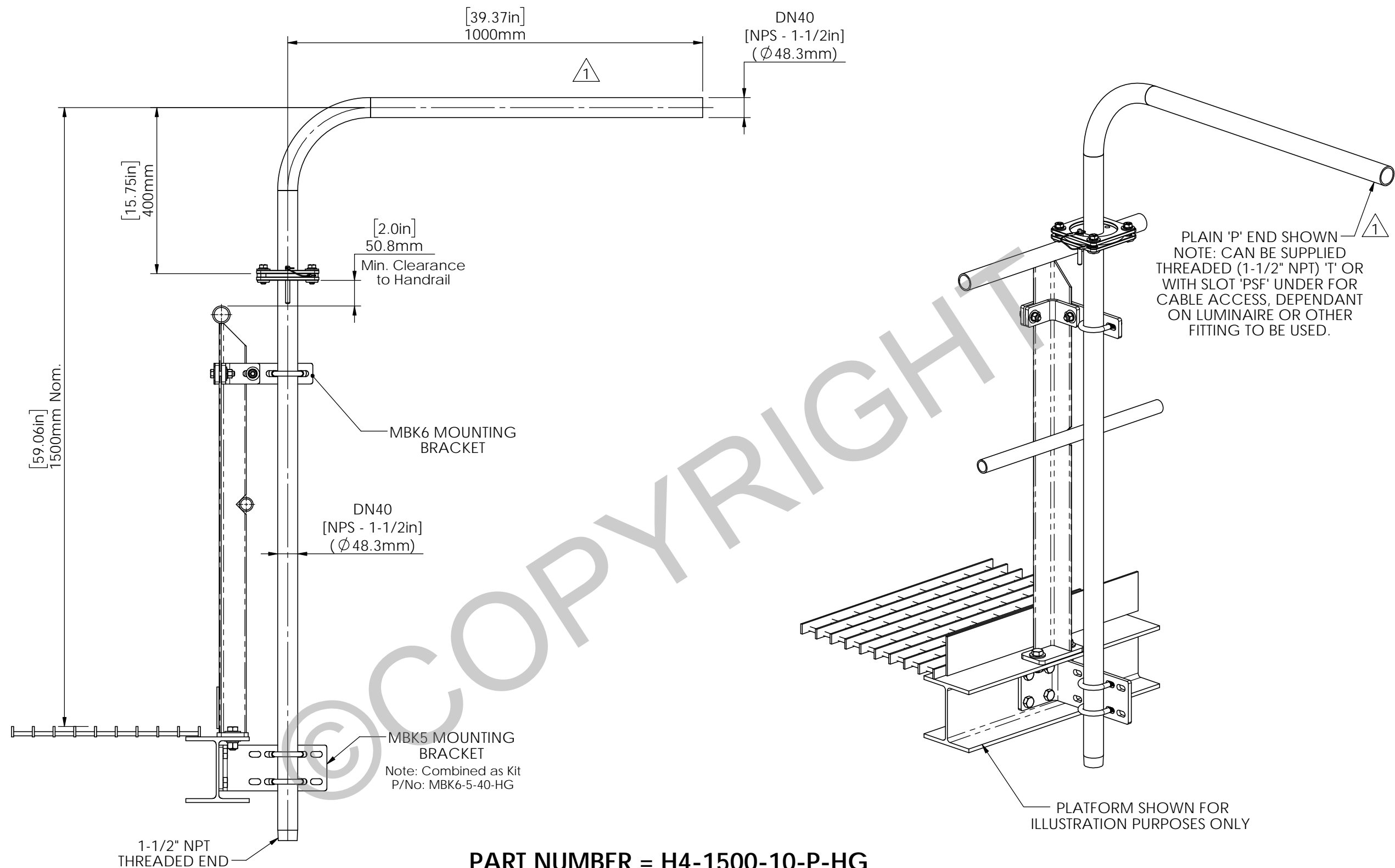
PATENTED
 PRODUCTS

www.swivelpole.com

Swivelpole™

This document is the property of and protected by copyright owned by Swivelpole Group Pty Ltd. The designs and other information embodied in this document comprise confidential information of Swivelpole Group Pty Ltd and form part of products covered by international patents and registered designs including US patent No 6957832. Unauthorised use, reproduction and disclosure are strictly prohibited. This document must not be removed from the premises of the licensed user of this document without Swivelpole Group Pty Ltd's prior approval.

ALL DIMENSIONS ARE IN MILLIMETERS/INCHES	PROJECT	SERIES / CODE	PART NUMBER
	SWIVELPOLE™	HORIZ	H3-1500-10-P-HG
			RQ1394 - 20/03/18
DRAWN BY	BP	DATE	30/08/16
CHECKED BY	KM	DATE	30/08/16
APPROVED BY	AI	DATE	30/08/16
THIRD ANGLE PROJECTION	SCALE		DRG No
	N.T.S.		C-NA-H3-1500-10-P-HG
		REV	A3
		1	



PART NUMBER = H4-1500-10-P-HG

MATERIAL = Steel - HDG Finish
WEIGHT = 14.0 kg (30.8 lb)



IEC & NEC Compliant



Scan Code with QR Reader app for more Swivelpole™ Solutions

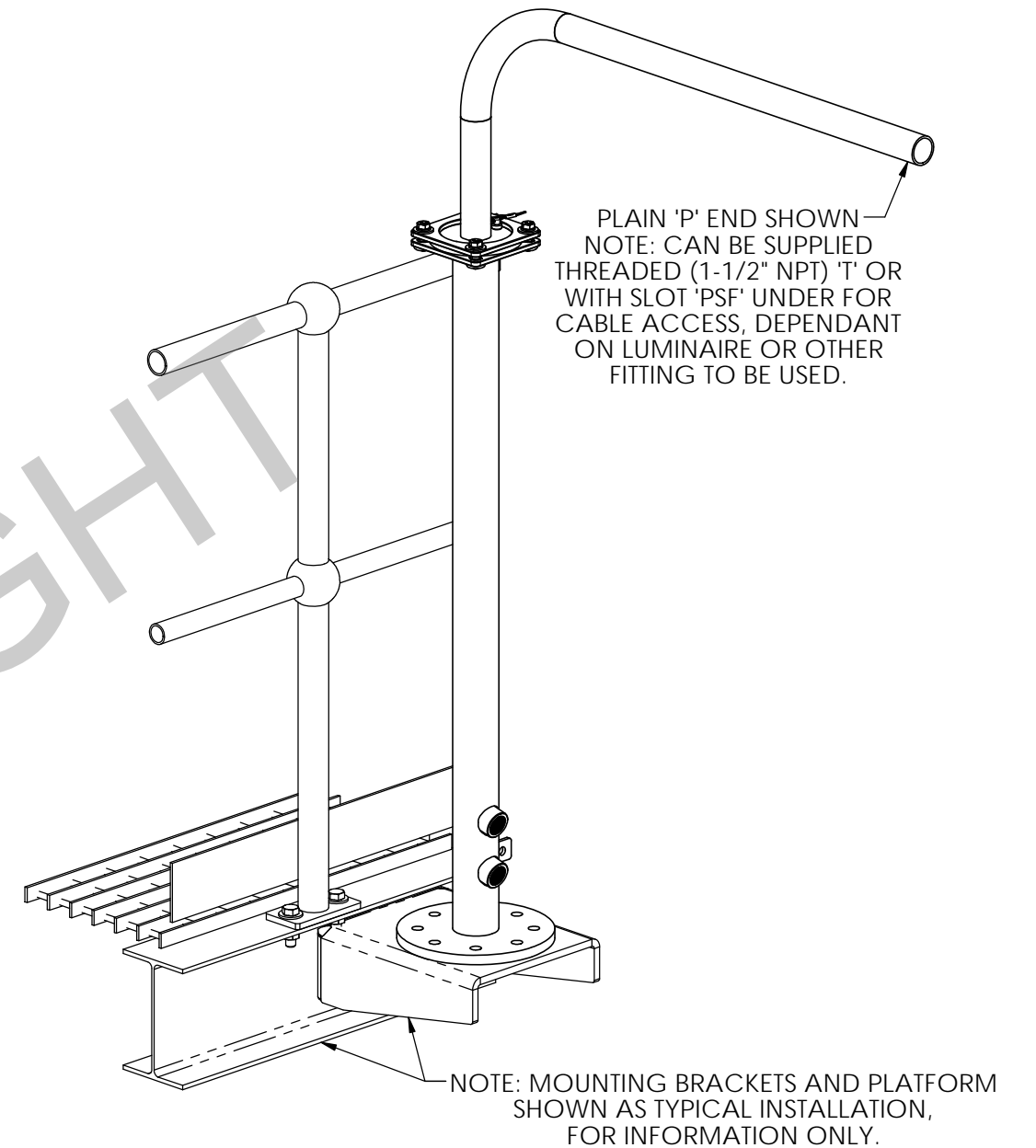
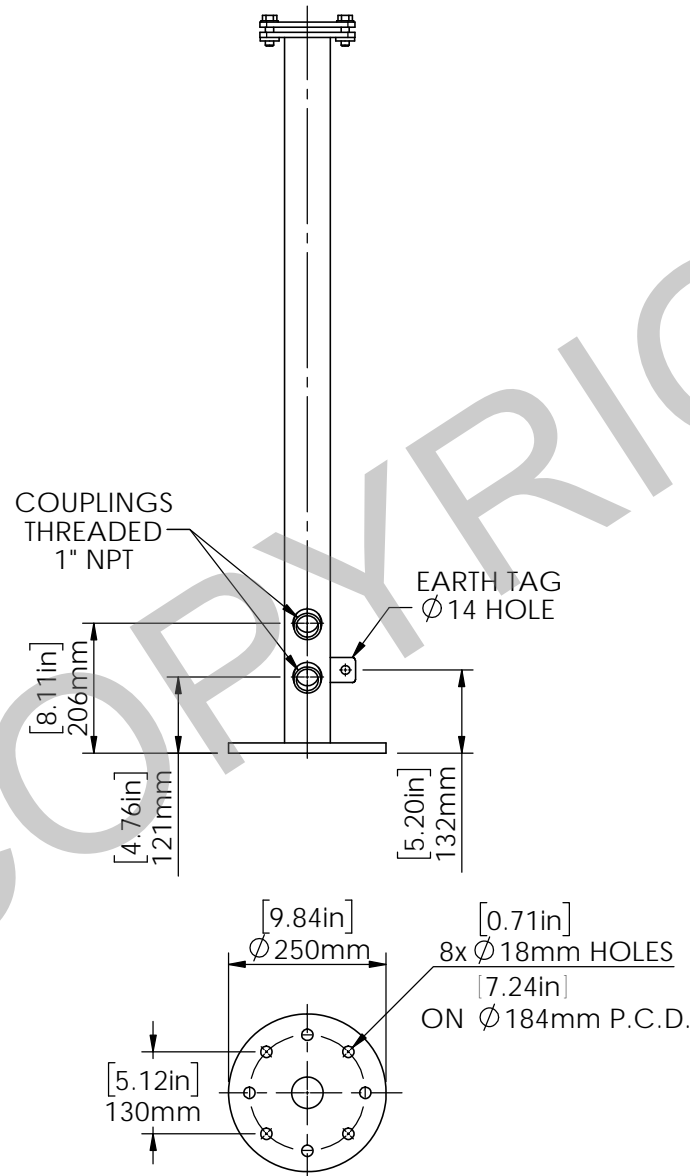
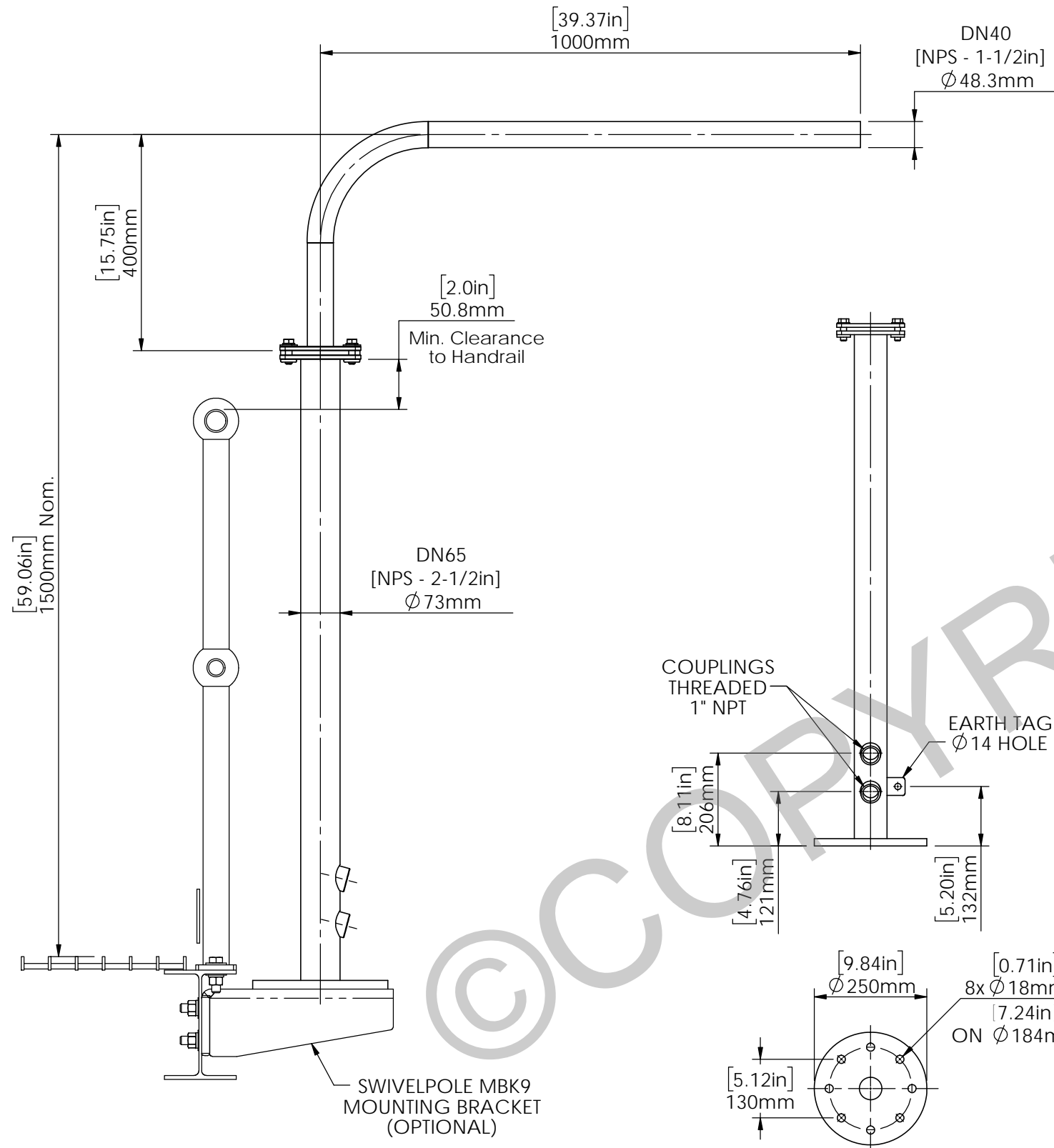
PATENTED PRODUCTS

www.swivelpole.com

Swivelpole™

This document is the property of and protected by copyright owned by Swivelpole Group Pty Ltd. The designs and other information embodied in this document comprise confidential information of Swivelpole Group Pty Ltd and form part of products covered by international patents and registered designs including US patent No 6957832. Unauthorised use, reproduction and disclosure are strictly prohibited. This document must not be removed from the premises of the licensed user of this document without Swivelpole Group Pty Ltd's prior approval.

ALL DIMENSIONS ARE IN MILLIMETERS/INCHES	PROJECT	SERIES / CODE	PART NUMBER
	SWIVELPOLE™	HORIZ	H4-1500-10-P-HG
			RQ1394 - 19/03/18
DRAWN BY	BP	DATE	31/08/16
CHECKED BY	KM	DATE	31/08/16
APPROVED BY	AI	DATE	31/08/16
THIRD ANGLE PROJECTION		SCALE	N.T.S.
		DRG No	C-NA-H4-1500-P-HG
		REV	1
			A3



PART NUMBER = H6-1500-10-P-NCT-HG
 MATERIAL = Steel - HDG Finish
 WEIGHT = 27.5 kg (60.5 lb)

MOUNT & EARTHING DETAIL

IEC & NEC Compliant



Scan Code with QR Reader app for more Swivelpole™ Horizontal Product Information

PATENTED PRODUCTS

www.swivelpole.com

Swivelpole™

This document is the property of and protected by copyright owned by Swivelpole Group Pty Ltd. The designs and other information embodied in this document comprise confidential information of Swivelpole Group Pty Ltd and form part of products covered by international patents and registered designs including US patent No 6957832. Unauthorised use, reproduction and disclosure are strictly prohibited. This document must not be removed from the premises of the licensed user of this document without Swivelpole Group Pty Ltd's prior approval.

ALL DIMENSIONS ARE IN MILLIMETERS/INCHES	PROJECT	SERIES / CODE	PART NUMBER
	SWIVELPOLE™	HORIZ	H6-1500-10-P-NCT-HG
DRAWN BY: BP CHECKED BY: KM APPROVED BY: AI	DATE: 30/08/16 DATE: 30/08/16 DATE: 30/08/16	TITLE: Swivelpole™ - Horizontal DN65 Conduit Threaded Base, DN40 Top - Bent (Plain) Client Detail	(RQ1394 - 20/02/18)
THIRD ANGLE PROJECTION	SCALE: N.T.S.	DRG No: C-NA-H6-1500-10-P-NCT-HG	REV: 1 A3