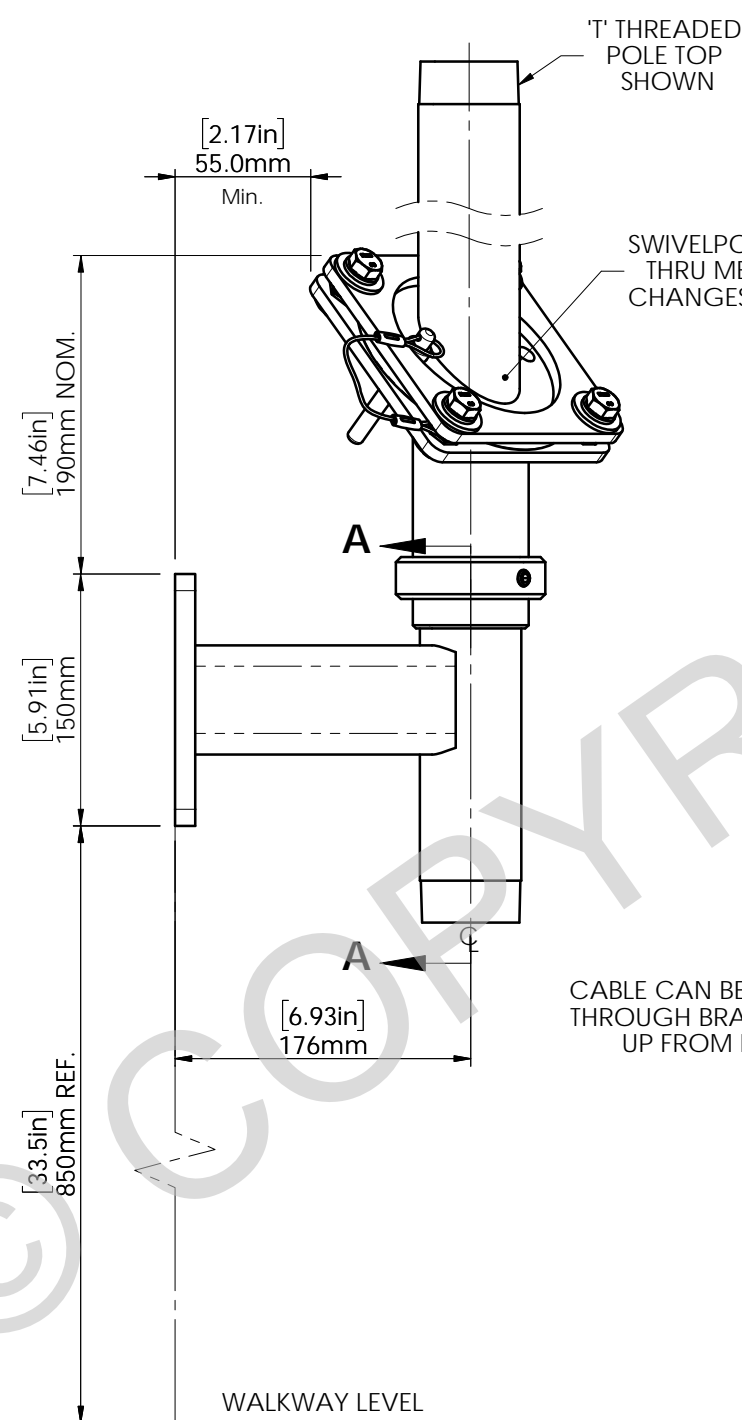
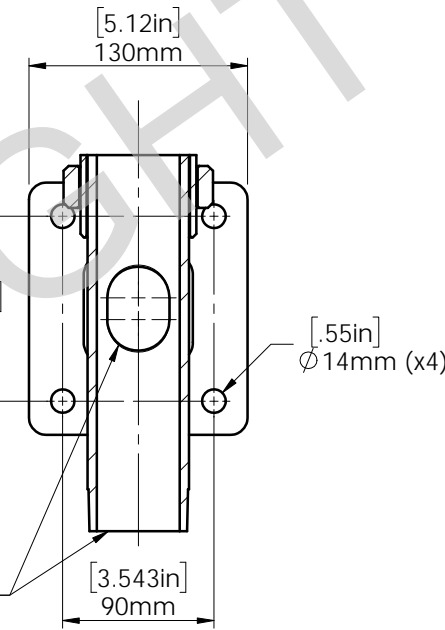


**C2 - MOUNTED POLE
TYPICAL INSTALLATION**

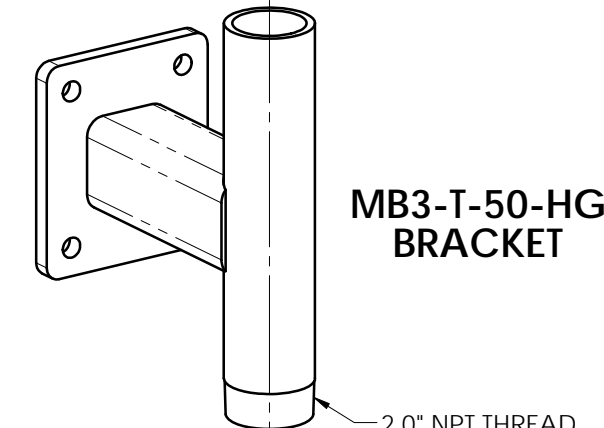
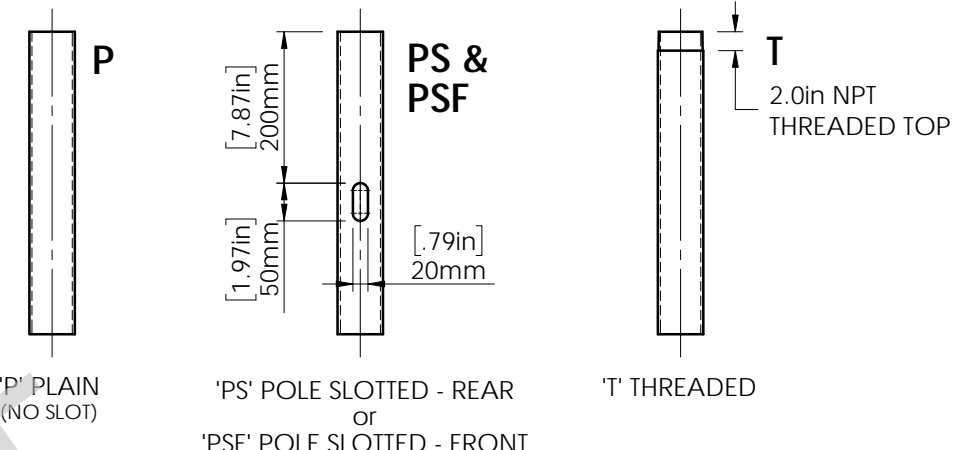
NEC / IEC



SECTION A-A



POLE TOP OPTIONS



INSTALLED HEIGHT	PRODUCT CODE	COMPLIANCE	WEIGHT
3000 [10']	C2-3000-P-HG	NEC	18.7 kg [41.2 lb]
3000 [10']	C2-3000-PS-HG	IEC	18.7 kg [41.2 lb]
3000 [10']	C2-3000-PSF-HG	IEC	18.7 kg [41.2 lb]
3000 [10']	C2-3000-T-HG	NEC	18.7 kg [41.2 lb]

MATERIAL = Steel with Galvanized Finish



Scan Code with QR Reader app for more Swivelpole™ C Series Solutions

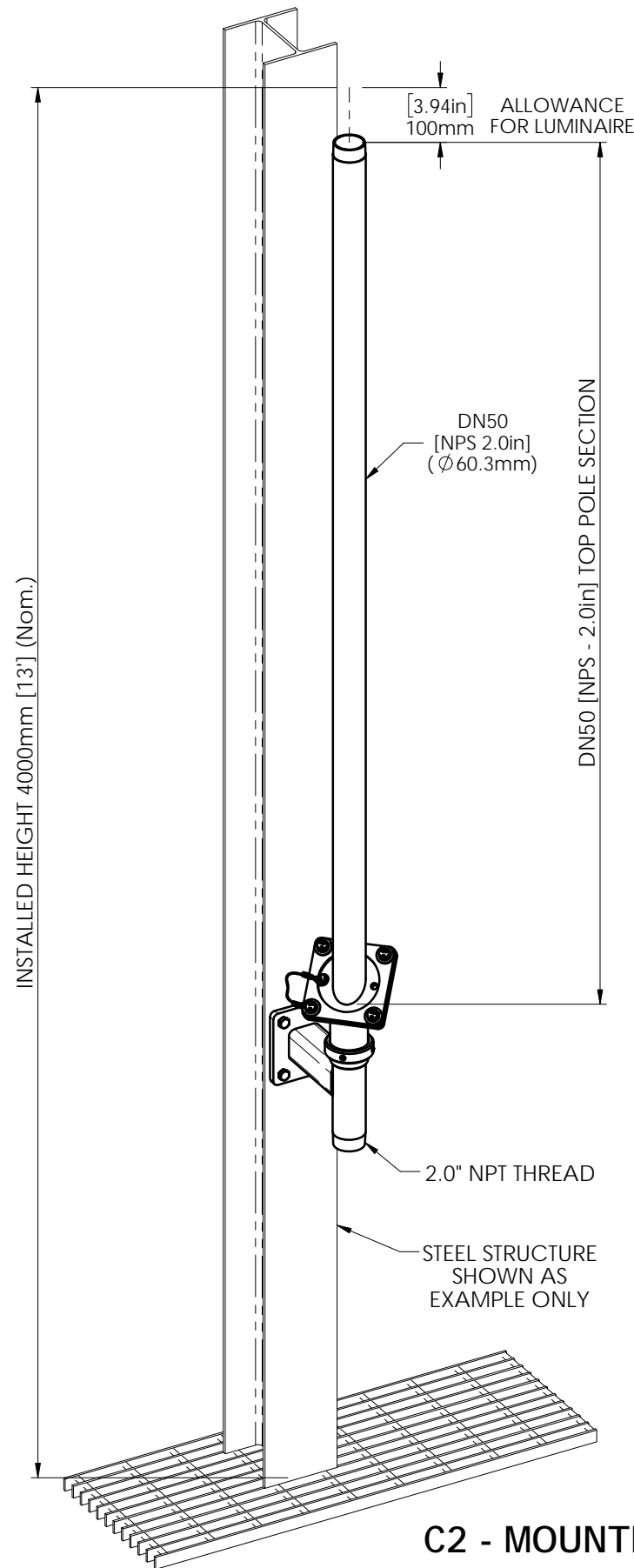
**PATENTED
PRODUCTS**

www.swivelpole.com

Swivelpole™

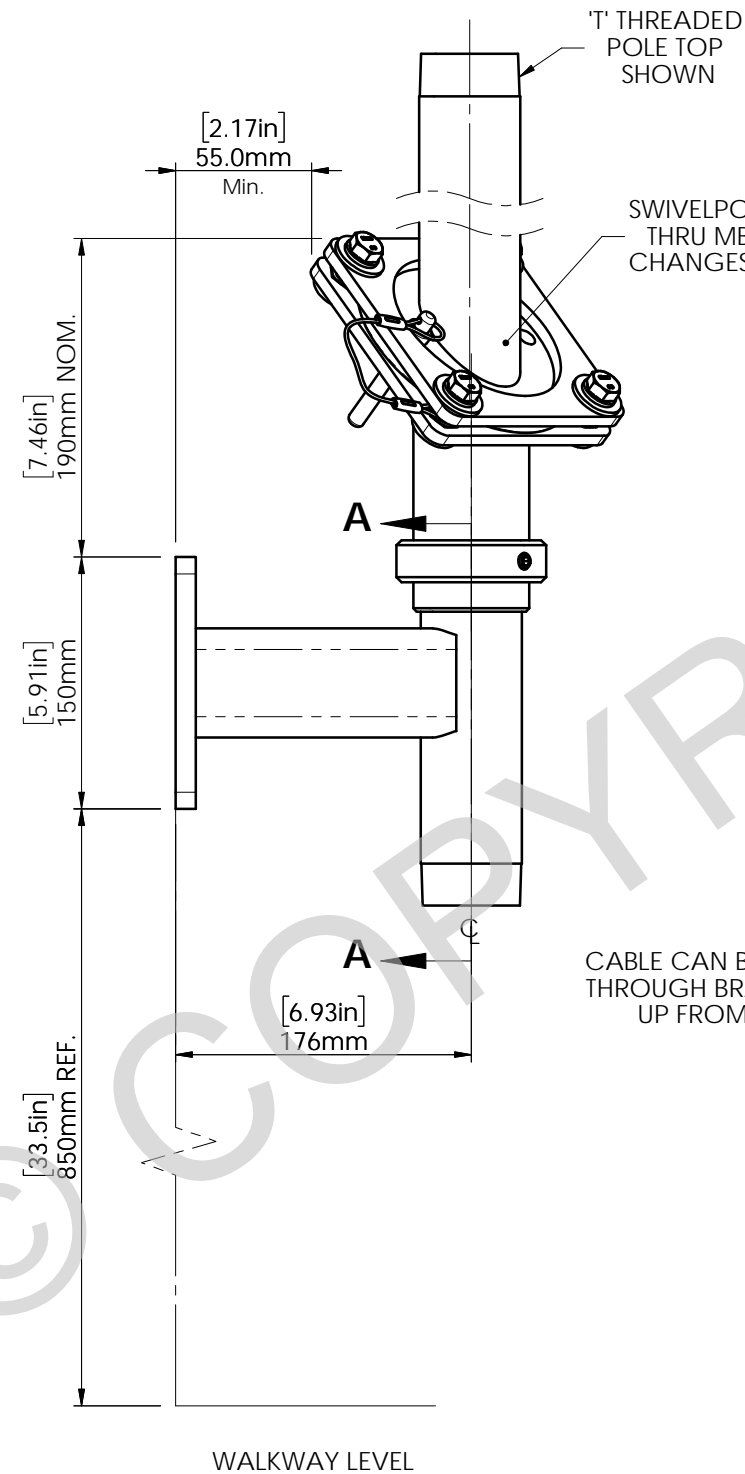
This document is the property of and protected by copyright owned by Swivelpole Group Pty Ltd. The designs and other information embodied in this document comprise confidential information of Swivelpole Group Pty Ltd and form part of products covered by international patents and registered designs including US patent No 6957832. Unauthorised use, reproduction and disclosure are strictly prohibited. This document must not be removed from the premises of the licensed user of this document without Swivelpole Group Pty Ltd's prior approval.

ALL DIMENSIONS ARE IN MILLIMETERS / INCHES	PROJECT SWIVELPOLE™	SERIES / CODE C	PART NUMBER As Shown	(RQ1378)
DRAWN BY BP	DATE 20-12-12	TITLE Swivelpole™ C2		
CHECKED BY PP	DATE 20-12-12	DN50 [NPS 2.0in] Column / Wall Mounted Pole		
APPROVED BY PP	DATE 20-12-12	General Assembly		
THIRD ANGLE PROJECTION	SCALE 1:75	DRG No C-NA-C2-001-HG	REV 2	A3



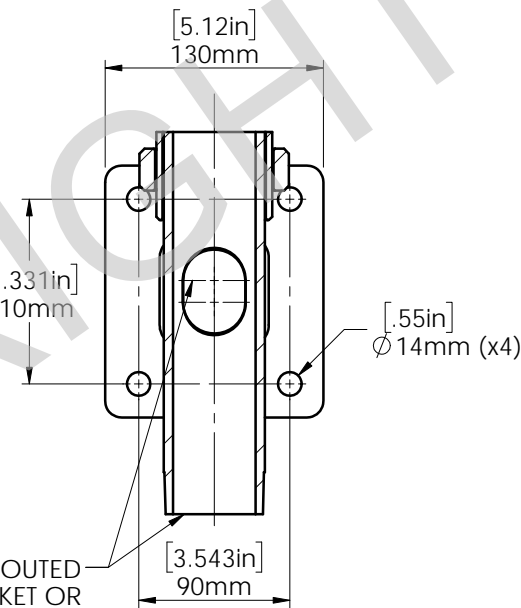
**C2 - MOUNTED POLE
TYPICAL INSTALLATION**

NEC / IEC

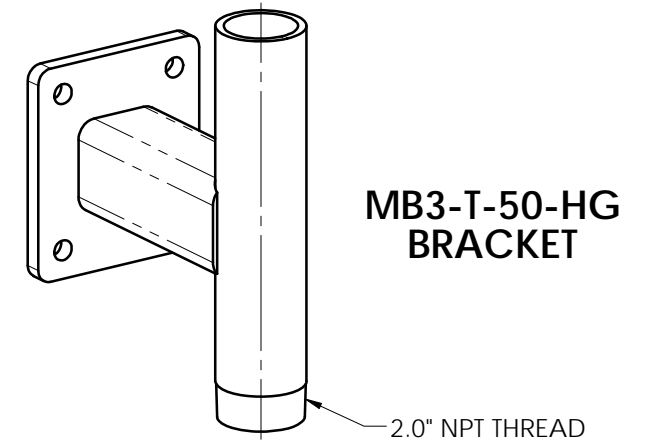
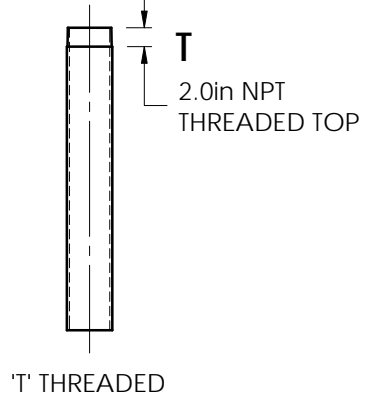
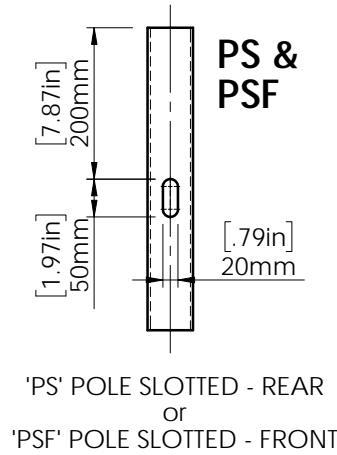
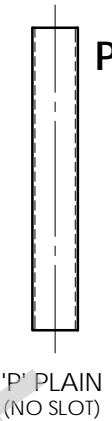


CABLE CAN BE ROUTED THROUGH BRACKET OR UP FROM BASE

SECTION A-A



POLE TOP OPTIONS



INSTALLED HEIGHT	PRODUCT CODE	COMPLIANCE	WEIGHT
4000 [13']	C2-4000-P-HG	NEC	25.2 kg [55.5 lb]
4000 [13']	C2-4000-PS-HG	IEC	25.2 kg [55.5 lb]
4000 [13']	C2-4000-PSF-HG	IEC	25.2 kg [55.5 lb]
4000 [13']	C2-4000-T-HG	NEC	25.2 kg [55.5 lb]

MATERIAL = Steel with Galvanized Finish



Scan Code with QR Reader app for more Swivelpole™ C Series Solutions

**PATENTED
PRODUCTS**

www.swivelpole.com

Swivelpole™

This document is the property of and protected by copyright owned by Swivelpole Group Pty Ltd. The designs and other information embodied in this document comprise confidential information of Swivelpole Group Pty Ltd and form part of products covered by international patents and registered designs including US patent No 6957832. Unauthorised use, reproduction and disclosure are strictly prohibited. This document must not be removed from the premises of the licensed user of this document without Swivelpole Group Pty Ltd's prior approval.

ALL DIMENSIONS ARE IN MILLIMETERS / INCHES	PROJECT	SERIES / CODE	PART NUMBER
	SWIVELPOLE™	C	As Shown (RQ1378)
DRAWN BY	DATE	TITLE	
BP	21-11-17	Swivelpole™ C2	
CHECKED BY	DATE	DN50 [NPS 2.0in] Column / Wall Mounted Pole	
KM	22-11-17	General Assembly	
APPROVED BY	DATE	SCALE	DRG No
AI	22-11-17	1:75	C-NA-C2-002-HG
THIRD ANGLE PROJECTION			REV 0 A3