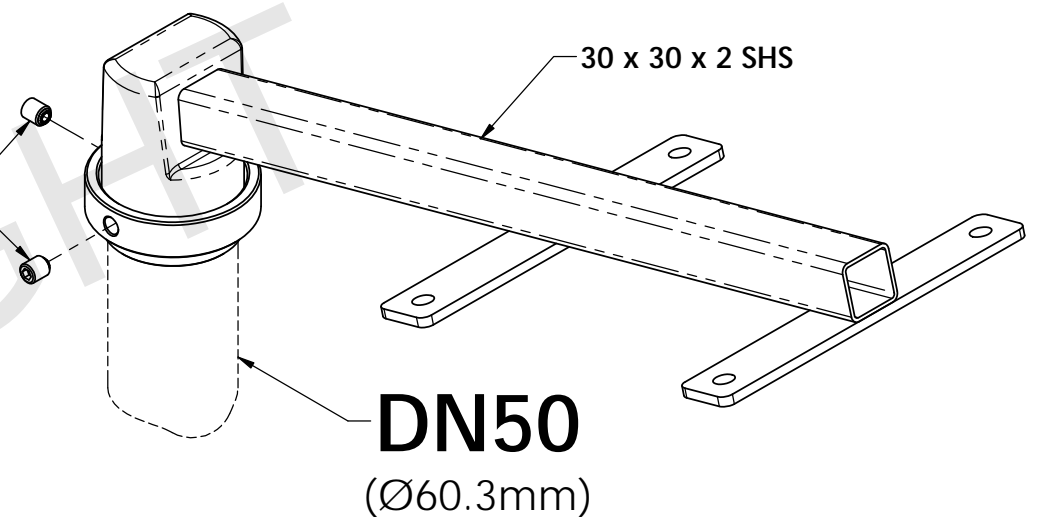
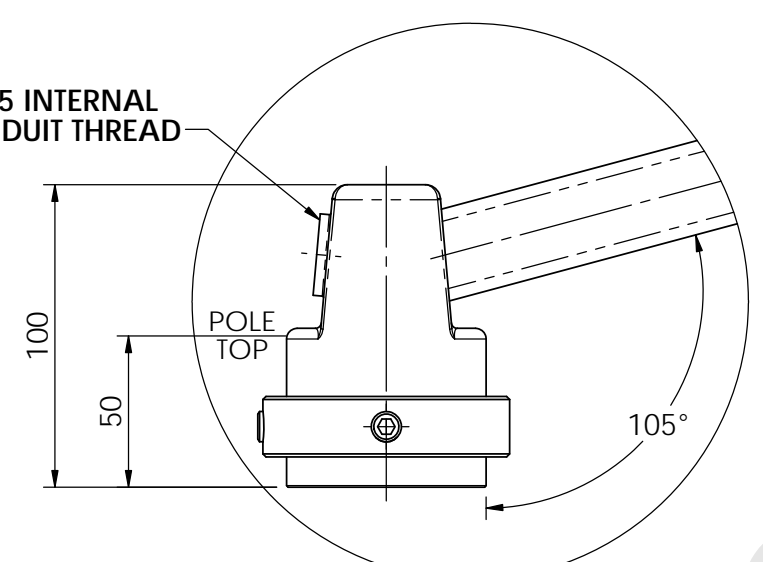


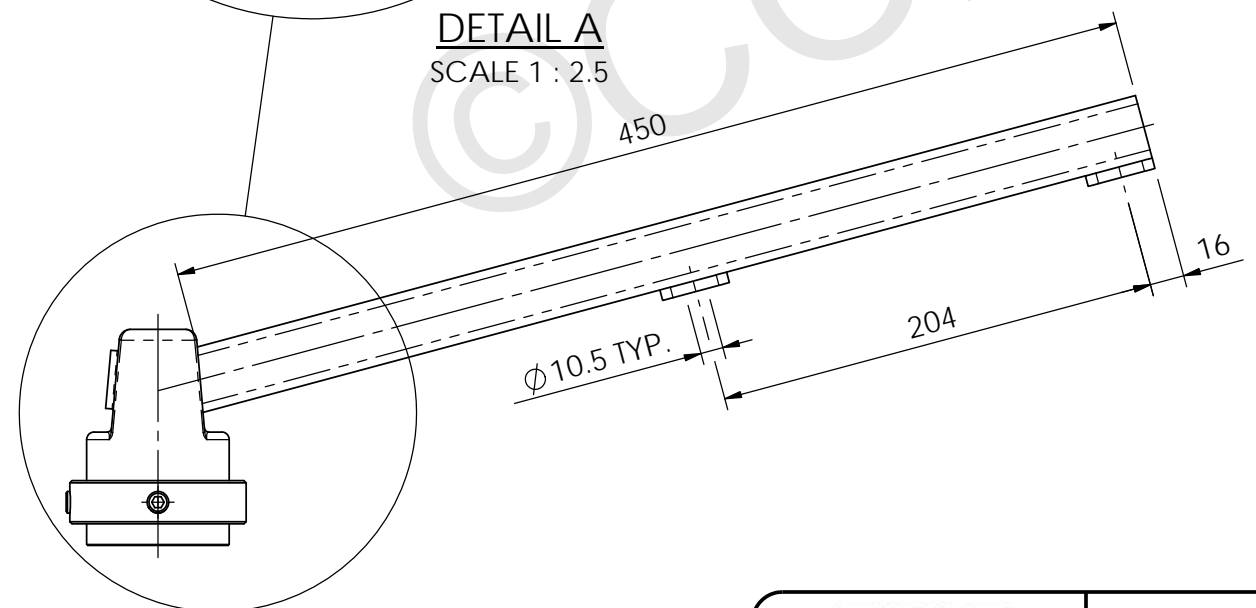
M10 GRUB SCREW (x2)



M25 INTERNAL CONDUIT THREAD



DETAIL A
SCALE 1 : 2.5



PART NUMBER = LMK4303-50-DD-HG
MATERIAL = Steel - HDG Finish
WEIGHT = 1.9 kg



Scan Code with QR Reader app for more Swivelpole™ Light Mount Product Information

PATENTED
PRODUCTS

www.swivelpole.com

| | | | |
|--|------------------------|--|---------------------------------|
| This document is the property of and protected by copyright owned by Swivelpole Group Pty Ltd. The designs and other information embodied in this document comprise confidential information of Swivelpole Group Pty Ltd and form part of products covered by international patents and registered designs including US patent No 6957832. Unauthorised use, reproduction and disclosure are strictly prohibited. This document must not be removed from the premises of the licensed user of this document without Swivelpole Group Pty Ltd's prior approval. | | | |
| ALL DIMENSIONS ARE IN MILLIMETERS | PROJECT SWIVELPOLE™ | SERIES / CODE LM | PART NUMBER LMK4303-50-DD-HG |
| DRAWN BY BP | DATE 22/03/23 | TITLE DN50 (Ø60.3mm) Luminaire Mount Bulkhead (bolt-on) | |
| CHECKED BY KM | DATE 23/03/23 | Client Detail | |
| APPROVED BY AI | DATE 24/03/23 | SCALE N.T.S. | DRG No C-LMK4303-50-DD-HG |
| THIRD ANGLE PROJECTION | | | REV 0 |
| | | | A3 |

Swivelpole™