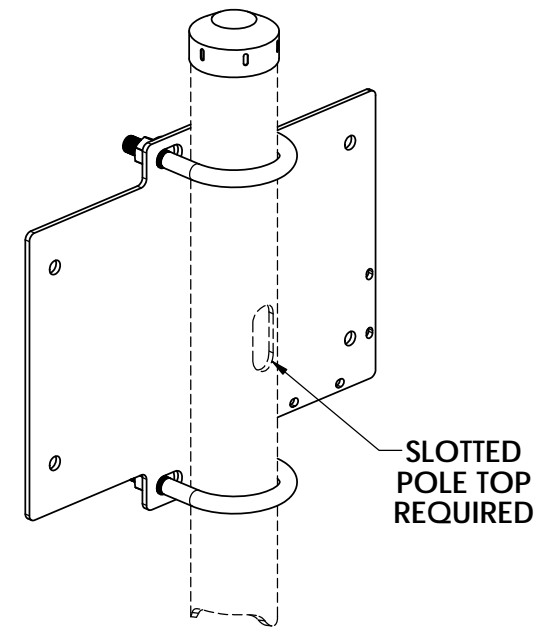


FRONT VIEW



REAR VIEW

PART NUMBER = LMK4101-50-HG
 MATERIAL = Steel - HDG Finish
 WEIGHT = 3.9 kg

SUPPLIED WITH 2x DN50 (Ø60.3mm) U-BOLTS, NUTS & WASHERS



Scan Code with
QR Reader app for more
Swivelpole™ Light Mount
Product Information

PATENTED
PRODUCTS
www.swivelpole.com

This document is the property of and protected by copyright owned by Swivelpole Group Pty Ltd. The designs and other information embodied in this document comprise confidential information of Swivelpole Group Pty Ltd and form part of products covered by international patents and registered designs including US patent No 6957832. Unauthorised use, reproduction and disclosure are strictly prohibited. This document must not be removed from the premises of the licensed user of this document without Swivelpole Group Pty Ltd's prior approval.			
ALL DIMENSIONS ARE IN MILLIMETERS	PROJECT SWIVELPOLE™	SERIES / CODE LM	PART NUMBER LMK4101-50-HG
DRAWN BY BP	DATE 21/03/23	TITLE DN50 [Ø60.3mm] Luminaire Mount Bulkhead (bolt-on)	
CHECKED BY KM	DATE 22/03/23	Client Detail	
APPROVED BY AI	DATE 23/03/23	DRG No C-LMK4101-50-HG	REV 0
THIRD ANGLE PROJECTION	SCALE N.T.S.		A3