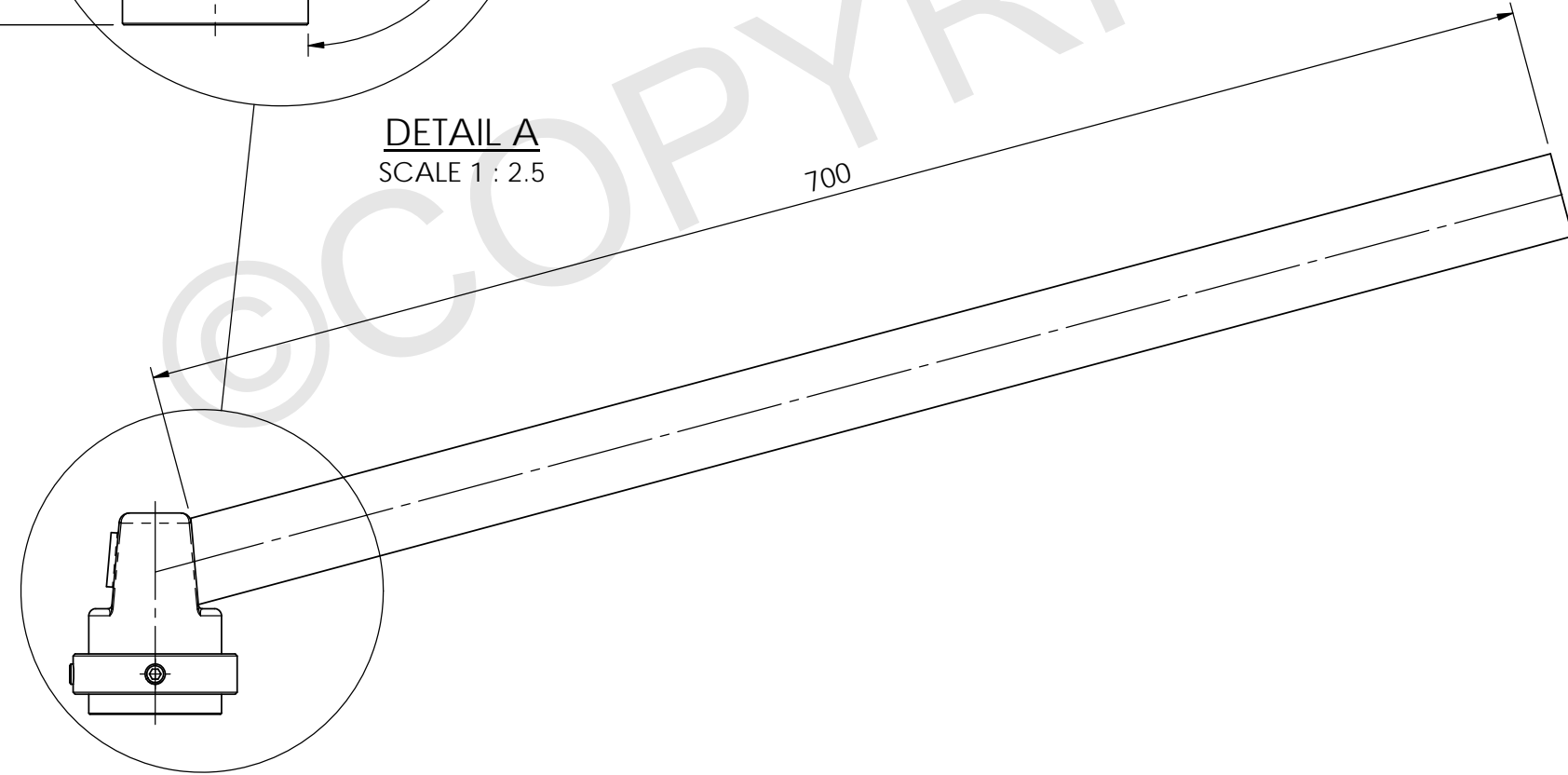


**DETAIL A**  
SCALE 1 : 2.5

**PART NUMBER = LMK2302-50-DD-HG**

MATERIAL = Steel - HDG Finish

WEIGHT = 2.4 kg



Scan Code with  
QR Reader app for more  
Swivelpole™ Light Mount  
Product Information

**PATENTED**  
PRODUCTS

[www.swivelpole.com](http://www.swivelpole.com)

**Swivelpole™**

This document is the property of and protected by copyright owned by Swivelpole Group Pty Ltd. The designs and other information embodied in this document comprise confidential information of Swivelpole Group Pty Ltd and form part of products covered by international patents and registered designs including US patent No 6957832. Unauthorised use, reproduction and disclosure are strictly prohibited. This document must not be removed from the premises of the licensed user of this document without Swivelpole Group Pty Ltd's prior approval.

ALL DIMENSIONS ARE IN MILLIMETERS	PROJECT	SERIES / CODE	PART NUMBER	
	SWIVELPOLE™	LM	LMK2302-50-DD-HG	
DRAWN BY BP	DATE 14/12/21	TITLE DN50 (Ø60.3mm) Luminaire Mount End Entry - Fluorescent, LED, Other Client Detail		
CHECKED BY KM	DATE 15/12/21			
APPROVED BY AI	DATE 16/12/21			
THIRD ANGLE PROJECTION	SCALE N.T.S.	DRG No C-LMK2302-50-DD-HG	REV 0	A3