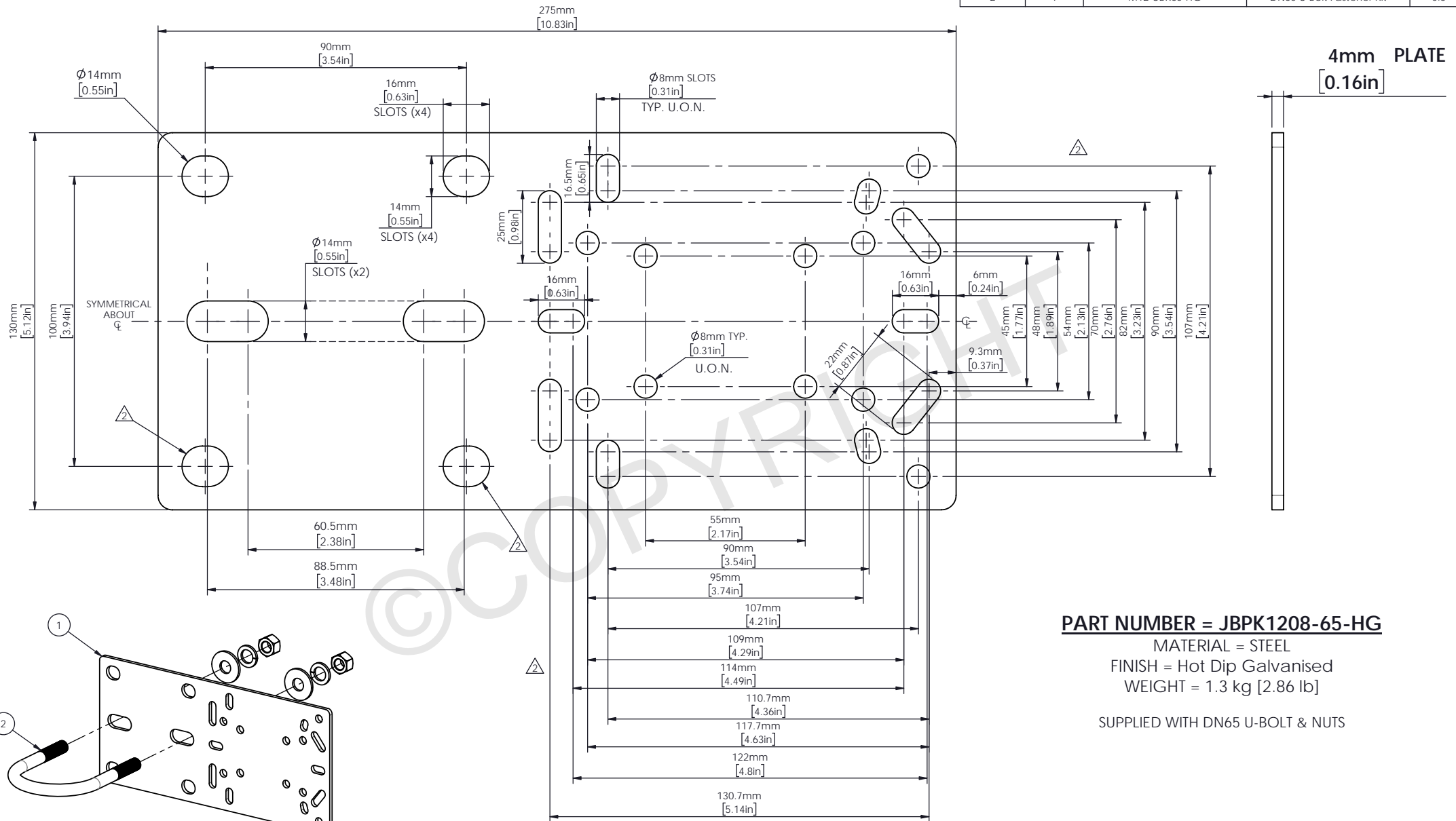


ITEM NO.	QTY.	PART NUMBER	DESCRIPTION	WEIGHT
1	1	JBP1208-HG	Junction Box Plate	1.0
2	1	M12-UBK65-HG	DN65 U-Bolt Fastener Kit	0.3



PART NUMBER = JBP1208-65-HG

MATERIAL = STEEL

FINISH = Hot Dip Galvanised

WEIGHT = 1.3 kg [2.86 lb]

SUPPLIED WITH DN65 U-BOLT & NUTS

EXPLODED ISO VIEW



Scan Code with QR Reader app for more Swivelpole™ Solutions

maxis
PATENTED
PRODUCTS

www.maxisjoint.com

Swivelpole
PATENTED
PRODUCTS

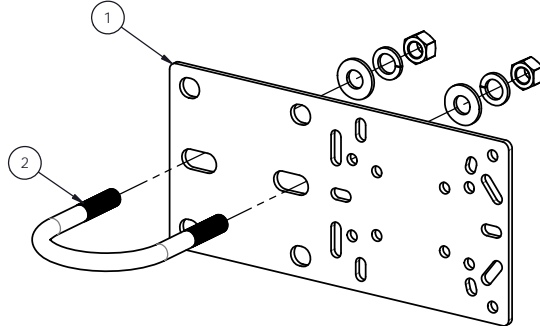
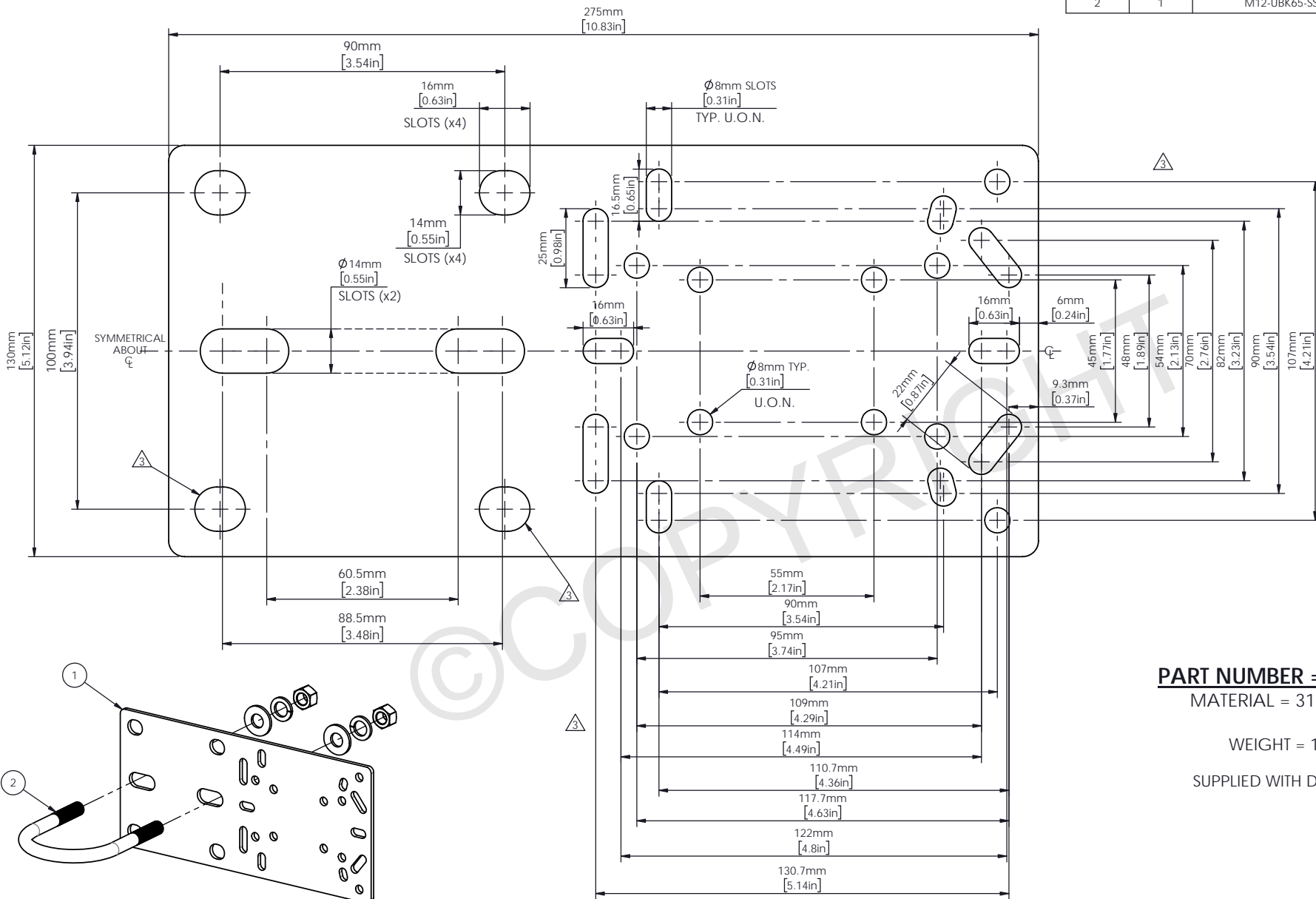
www.swivelpole.com

Swivelpole

This document is the property of and protected by copyright owned by Swivelpole Group Pty Ltd and or Exemplar Products Pty Ltd. The designs and other information embodied in this document comprise confidential information of Swivelpole Group Pty Ltd and or Exemplar Products Pty Ltd and form part of products covered by international patents and registered designs including US patent No 6957832 and US patent No 9945143. Unauthorised use, reproduction and disclosure are strictly prohibited. This document must not be removed from the premises of the licensed user of this document without Swivelpole Group Pty Ltd's and or Exemplar Products Pty Ltd's prior approval.

ALL DIMENSIONS ARE IN MILLIMETERS / INCHES		SERIES / CODE	PART NUMBER	REV	DATE
		JBPBK	JBP1208-65-HG	2	19/07/21
DRAWN BY		BP	Swivelpole™		
CHECKED BY		KM	Junction Box Plate - DN65 Pole		
APPROVED BY		AI	Client Detail		
THIRD ANGLE PROJECTION		SCALE	DRG No	REV	DATE
		N.T.S.	C-JBP1208-65-HG	2	19/07/21

ITEM NO.	QTY.	PART NUMBER	DESCRIPTION	WEIGHT
1	1	JBP1208-SS	Junction Box Plate	1.0
2	1	M12-UBK65-SS	DN65 U-Bolt Fastener Kit	0.3



EXPLODED ISO VIEW

PART NUMBER = JBPK1208-65-SS

MATERIAL = 316 STAINLESS STEEL

WEIGHT = 1.3 kg [2.86 lb]

SUPPLIED WITH DN65 U-BOLT & NUTS



Scan Code with QR Reader app for more Swivelpole™ Solutions

maxis
PATENTED
PRODUCTS

www.maxisjoint.com

Swivelpole
PATENTED
PRODUCTS

www.swivelpole.com

Swivelpole

This document is the property of and protected by copyright owned by Swivelpole Group Pty Ltd and or Exemplar Products Pty Ltd. The designs and other information embodied in this document comprise confidential information of Swivelpole Group Pty Ltd and or Exemplar Products Pty Ltd and form part of products covered by international patents and registered designs including US patent No 6957832 and US patent No 9945143. Unauthorised use, reproduction and disclosure are strictly prohibited. This document must not be removed from the premises of the licensed user of this document without Swivelpole Group Pty Ltd's and or Exemplar Products Pty Ltd's prior approval.

ALL DIMENSIONS ARE IN MILLIMETERS / INCHES		SERIES / CODE	PART NUMBER	REV	DATE
		JBPBK	JBPBK1208-65-SS	3	26/11/20
DRAWN BY	BP	DATE	Swivelpole™		
CHECKED BY	KM	DATE	Junction Box Plate - DN65 Pole		
APPROVED BY	AI	DATE	Client Detail		
THIRD ANGLE PROJECTION	SCALE	N.T.S.	DRG No	C-JBPBK1208-65-SS	

(RQ2034 - 19/07/24)