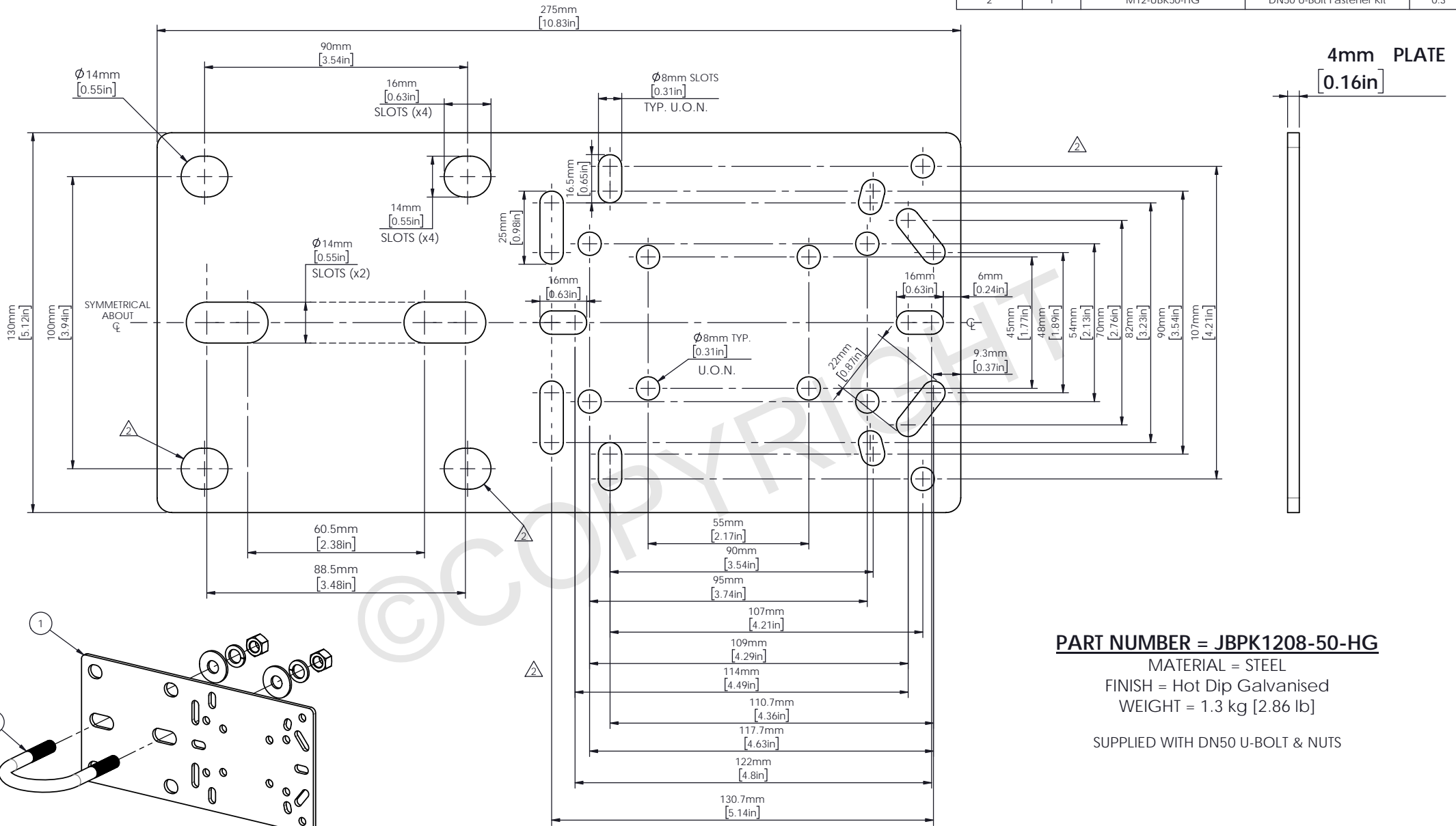


| ITEM NO. | QTY. | PART NUMBER | DESCRIPTION | WEIGHT |
|----------|------|--------------|--------------------------|--------|
| 1 | 1 | JBP1208-HG | Junction Box Plate | 1.0 |
| 2 | 1 | M12-UBK50-HG | DN50 U-Bolt Fastener Kit | 0.3 |



PART NUMBER = JBP1208-50-HG

MATERIAL = STEEL

FINISH = Hot Dip Galvanised

WEIGHT = 1.3 kg [2.86 lb]

SUPPLIED WITH DN50 U-BOLT & NUTS

EXPLODED ISO VIEW



Scan Code with QR Reader app for more Swivelpole™ Solutions

maxis
PATENTED
PRODUCTS

www.maxisjoint.com

PATENTED
PRODUCTS

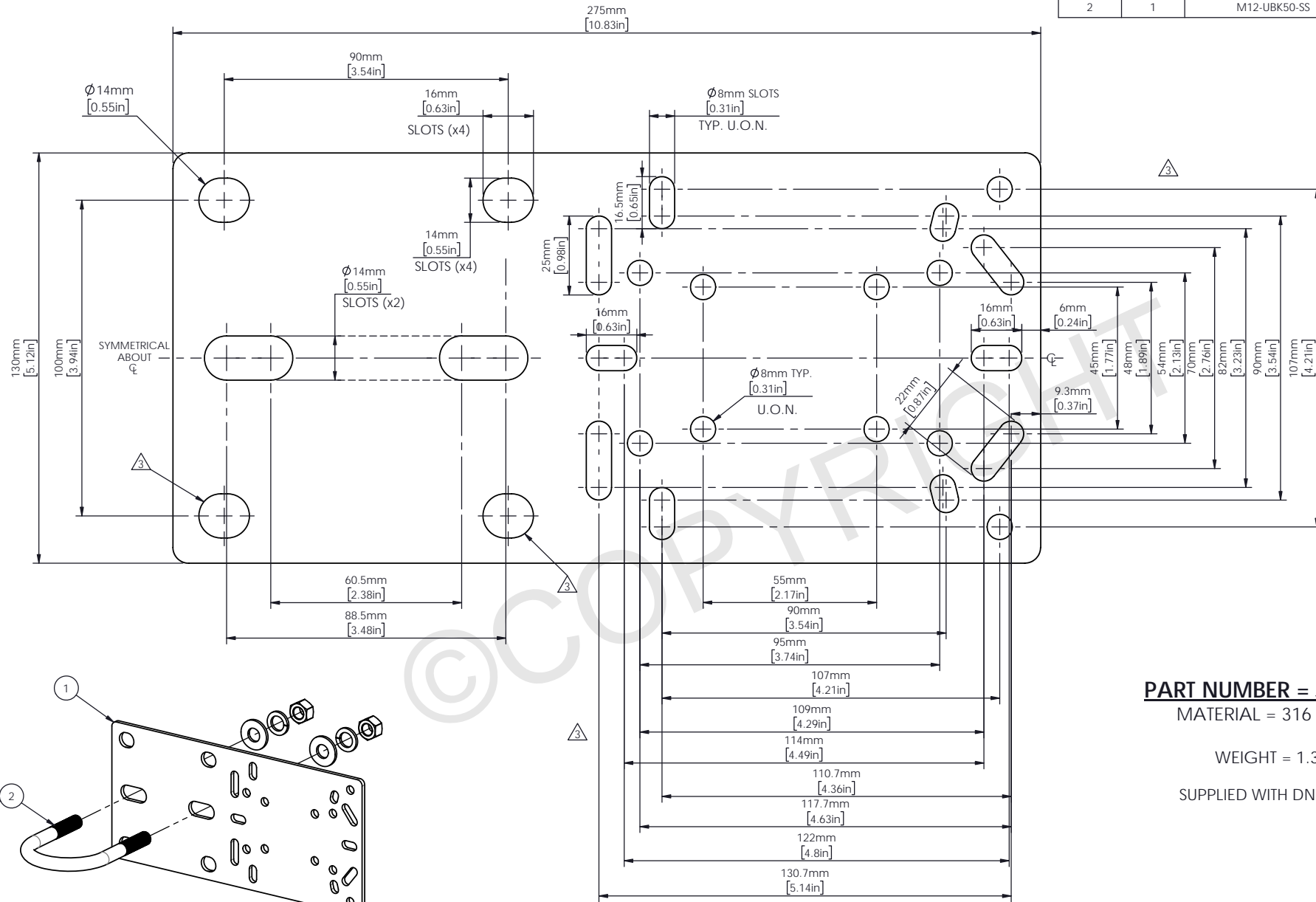
www.swivelpole.com

Swivelpole

This document is the property of and protected by copyright owned by Swivelpole Group Pty Ltd and or Exemplar Products Pty Ltd. The designs and other information embodied in this document comprise confidential information of Swivelpole Group Pty Ltd and or Exemplar Products Pty Ltd and form part of products covered by international patents and registered designs including US patent No 6957832 and US patent No 9945143. Unauthorised use, reproduction and disclosure are strictly prohibited. This document must not be removed from the premises of the licensed user of this document without Swivelpole Group Pty Ltd's and or Exemplar Products Pty Ltd's prior approval. (RQ2034 - 19/07/24)

| ALL DIMENSIONS ARE IN MILLIMETERS / INCHES | | SERIES / CODE | PART NUMBER |
|--|-------|---------------|---------------|
| | | JBP1208-50-HG | JBP1208-50-HG |
| DRAWN BY | BP | DATE | 19/07/21 |
| CHECKED BY | KM | DATE | 19/07/21 |
| APPROVED BY | AI | DATE | 19/07/21 |
| THIRD ANGLE PROJECTION | ⊕ - ⊖ | SCALE | N.T.S. |
| TITLE | | | REV |
| Swivelpole™ | | | 2 |
| Junction Box Plate - DN50 Pole | | | A3 |
| Client Detail | | | |
| DRG No | | | |
| C-JBP1208-50-HG | | | |

| ITEM NO. | QTY. | PART NUMBER | DESCRIPTION | WEIGHT |
|----------|------|--------------|--------------------------|--------|
| 1 | 1 | JBP1208-SS | Junction Box Plate | 1.1 |
| 2 | 1 | M12-UBK50-SS | DN50 U-Bolt Fastener Kit | 0.3 |



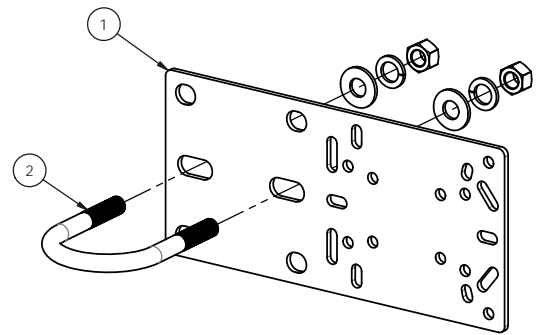
4mm PLATE
[0.16in]

PART NUMBER = JBPK1208-50-SS

MATERIAL = 316 STAINLESS STEEL

WEIGHT = 1.3 kg [2.86 lb]

SUPPLIED WITH DN50 U-BOLT & NUTS



EXPLODED ISO VIEW



Scan Code with QR Reader app for more Swivelpole™ Solutions

maxis
PATENTED PRODUCTS
www.maxisjoint.com

PATENTED PRODUCTS
www.swivelpole.com

Swivelpole

This document is the property of and protected by copyright owned by Swivelpole Group Pty Ltd and/or Exemplar Products Pty Ltd. The designs and other information embodied in this document comprise confidential information of Swivelpole Group Pty Ltd and/or Exemplar Products Pty Ltd and form part of products covered by international patents and registered designs including US patent No 6957832 and US patent No 9945143. Unauthorised use, reproduction and disclosure are strictly prohibited. This document must not be removed from the premises of the licensed user of this document without Swivelpole Group Pty Ltd's and/or Exemplar Products Pty Ltd's prior approval.

| ALL DIMENSIONS ARE IN MILLIMETERS / INCHES | | SERIES / CODE | PART NUMBER | REV | ANG |
|--|-------|---------------|----------------|--|------------------|
| | | JBPK | JBPK1208-50-SS | 3 | A3 |
| DRAWN BY | BP | DATE | 25/11/20 | TITLE | |
| CHECKED BY | KM | DATE | 26/11/20 | Swivelpole™ | |
| APPROVED BY | AI | DATE | 27/11/20 | Junction Box Plate - DN50 Pole Client Detail | |
| THIRD ANGLE PROJECTION | ⊕ - ⊖ | SCALE | N.T.S. | DRG No | C-JBPK1208-50-SS |