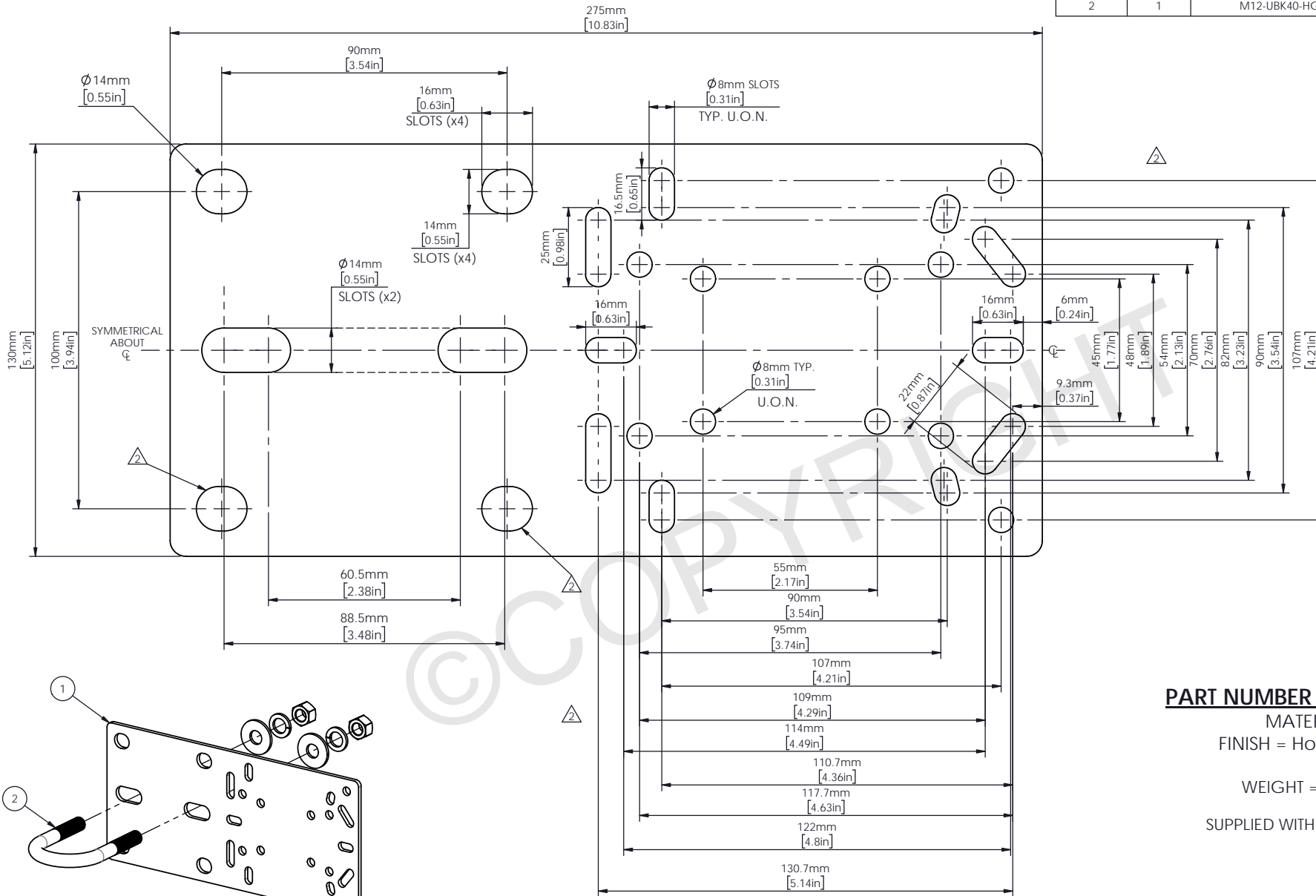


ITEM NO.	QTY.	PART NUMBER	DESCRIPTION	WEIGHT
1	1	JBP1208-HG	Junction Box Plate	1.0
2	1	M12-UBK40-HG	DN40 U-Bolt Fastener Kit	0.3



PART NUMBER = JBP1208-40-HG

MATERIAL = STEEL

FINISH = Hot Dip Galvanised

WEIGHT = 1.3 kg [2.86 lb]

SUPPLIED WITH DN40 U-BOLT & NUTS

EXPLODED ISO VIEW



Scan Code with QR Reader app for more Swivelpole™ Solutions

maxis
PATENTED
PRODUCTS

www.maxisjoint.com

PATENTED
PRODUCTS

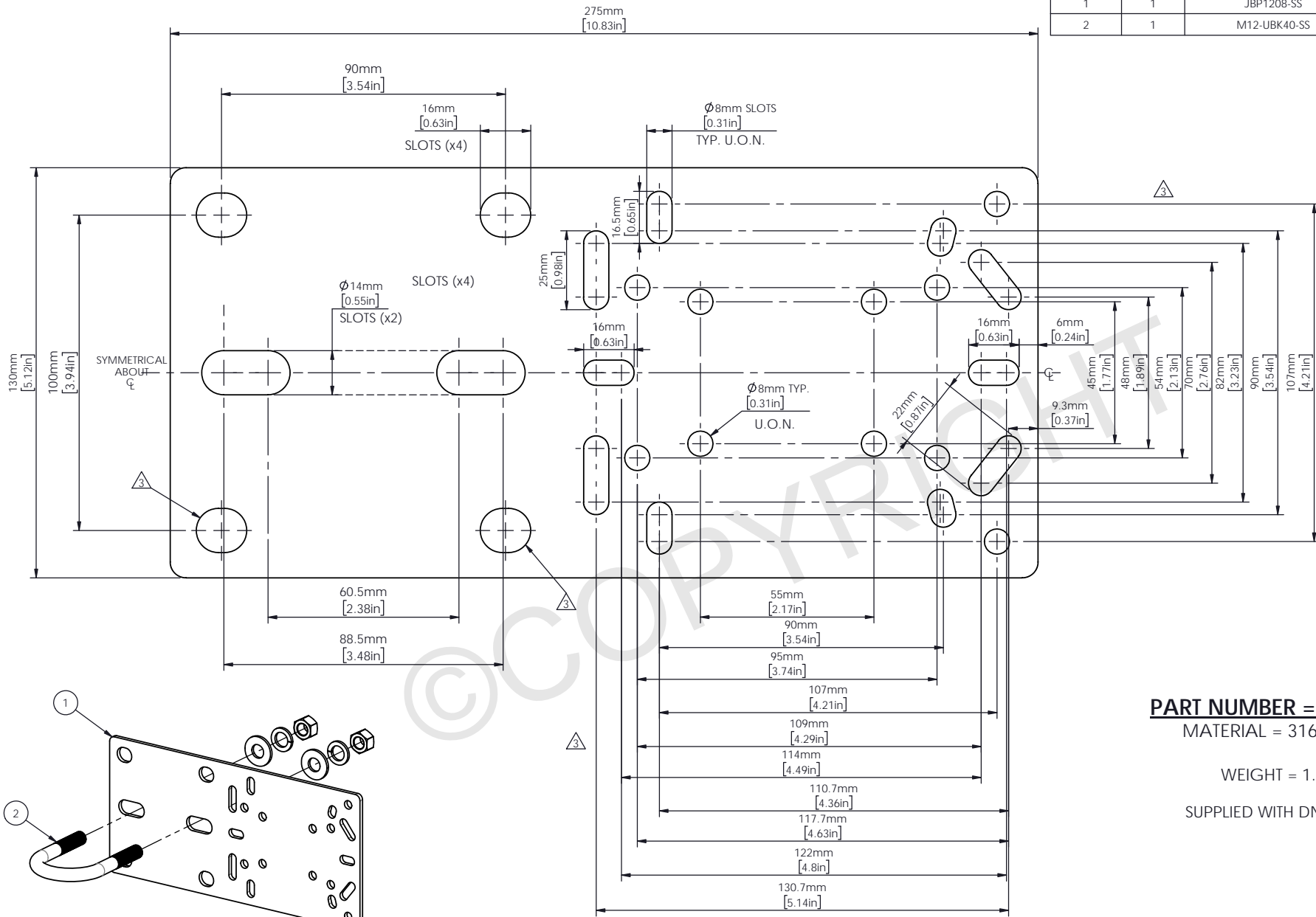
www.swivelpole.com

Swivelpole

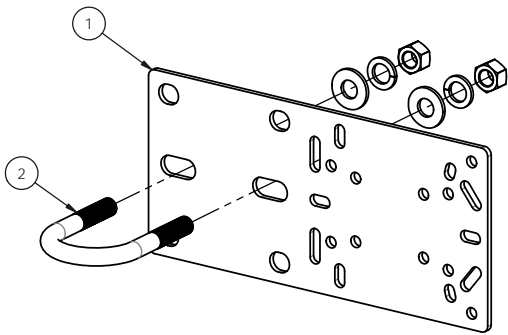
This document is the property of and protected by copyright owned by Swivelpole Group Pty Ltd and or Exemplar Products Pty Ltd. The designs and other information embodied in this document comprise confidential information of Swivelpole Group Pty Ltd and or Exemplar Products Pty Ltd and form part of products covered by international patents and registered designs including US patent No 6957832 and US patent No 9945143. Unauthorised use, reproduction and disclosure are strictly prohibited. This document must not be removed from the premises of the licensed user of this document without Swivelpole Group Pty Ltd's and or Exemplar Products Pty Ltd's prior approval. (RQ2034 - 19/07/24)

ALL DIMENSIONS ARE IN MILLIMETERS / INCHES		SERIES / CODE	PART NUMBER
		JBP1208-40-HG	JBP1208-40-HG
DRAWN BY	BP	DATE	19/07/21
CHECKED BY	KM	DATE	19/07/21
APPROVED BY	AI	DATE	19/07/21
THIRD ANGLE PROJECTION		SCALE	N.T.S.
TITLE			REV
Swivelpole™ Junction Box Plate - DN40 Pole Client Detail			2
DRG No			A3
C-JBP1208-40-HG			

ITEM NO.	QTY.	PART NUMBER	DESCRIPTION	WEIGHT
1	1	JBP1208-SS	Junction Box Plate	1.1
2	1	M12-UBK40-SS	DN40 U-Bolt Fastener Kit	0.3



4mm PLATE
[0.16in]



EXPLODED ISO VIEW

PART NUMBER = JBPK1208-40-SS

MATERIAL = 316 STAINLESS STEEL

WEIGHT = 1.3 kg [2.86 lb]

SUPPLIED WITH DN40 U-BOLT & NUTS



Scan Code with QR Reader app for more Swivelpole™ Solutions

maxis
PATENTED
PRODUCTS

www.maxisjoint.com

PATENTED
PRODUCTS

www.swivelpole.com

Swivelpole

This document is the property of and protected by copyright owned by Swivelpole Group Pty Ltd and/or Exemplar Products Pty Ltd. The designs and other information embodied in this document comprise confidential information of Swivelpole Group Pty Ltd and/or Exemplar Products Pty Ltd and form part of products covered by international patents and registered designs including US patent No 6957832 and US patent No 9945143. Unauthorised use, reproduction and disclosure are strictly prohibited. This document must not be removed from the premises of the licensed user of this document without Swivelpole Group Pty Ltd's and/or Exemplar Products Pty Ltd's prior approval.

ALL DIMENSIONS ARE IN MILLIMETERS / INCHES		SERIES / CODE	PART NUMBER	REV	DATE
		JBPBK	JBPBK1208-40-SS	3	25/11/20
DRAWN BY	BP	DATE	Swivelpole™		
CHECKED BY	KM	DATE	Junction Box Plate - DN40 Pole		
APPROVED BY	AI	DATE	Client Detail		
THIRD ANGLE PROJECTION	⊕ - 1	SCALE	N.T.S.	DRG No	C-JBPBK1208-40-SS

(RQ2034 - 19/07/24)