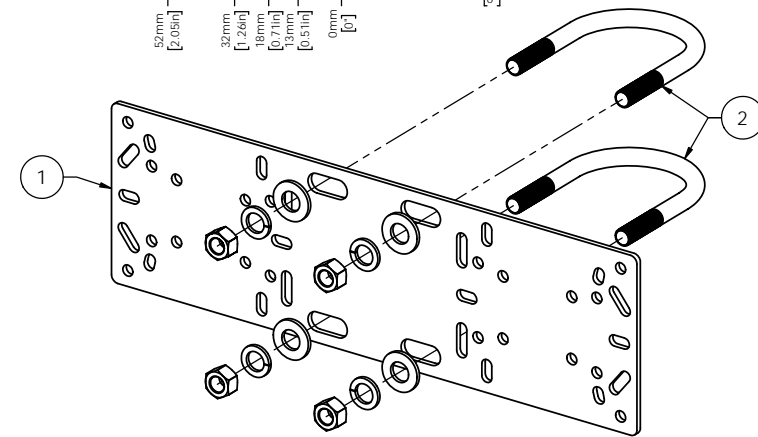
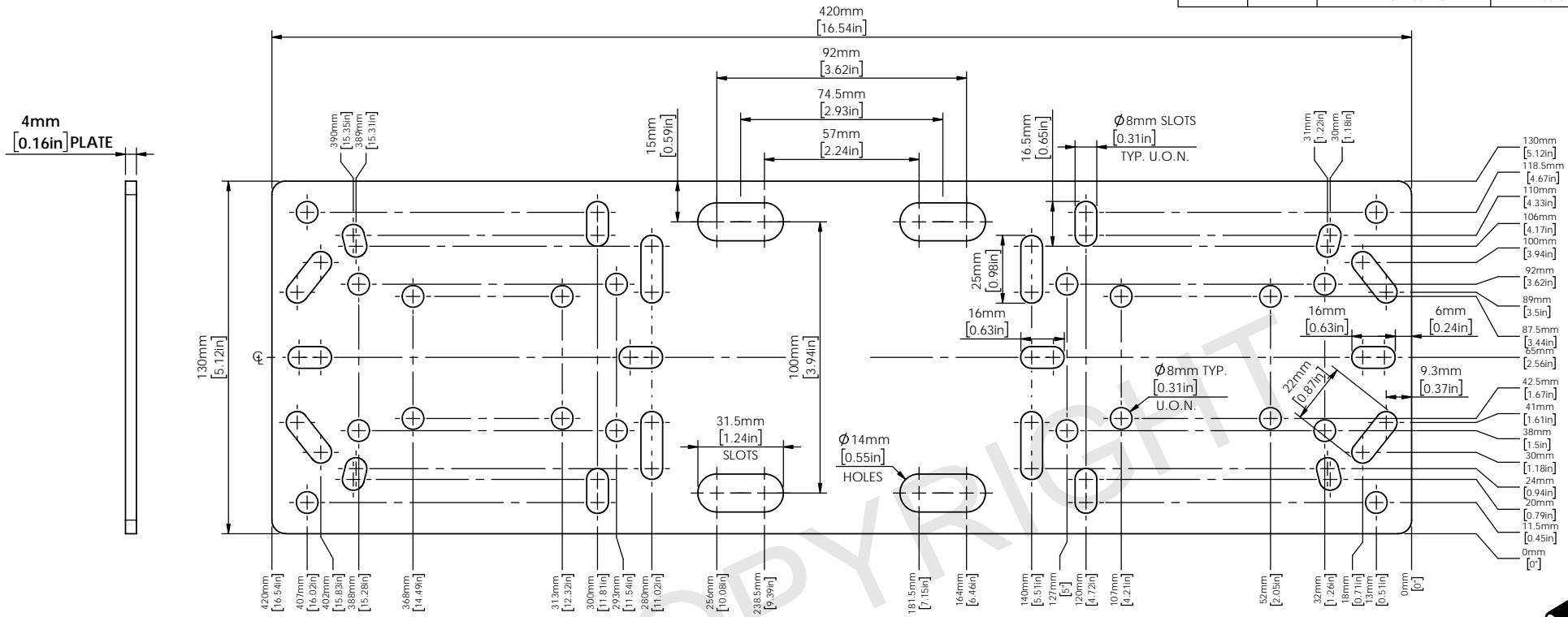


ITEM NO.	QTY.	PART NUMBER	DESCRIPTION	WEIGHT
1	1	JBP1201-HG	Junction Box Plate	1.5
2	2	M12-UBK65-HG	DN65 U-Bolt Fastener Kit	0.30



EXPLODED ISO VIEW

**PART No = JBPK1201-65-HG**  
 MATERIAL = STEEL / HOT-DIP GALVANISED COATING

WEIGHT = 2.1 kg [4.62 lb]

SUPPLIED WITH DN65 U-BOLTS & NUTS



Scan Code with  
 QR Reader app for more  
 Swivelpole™ Solutions

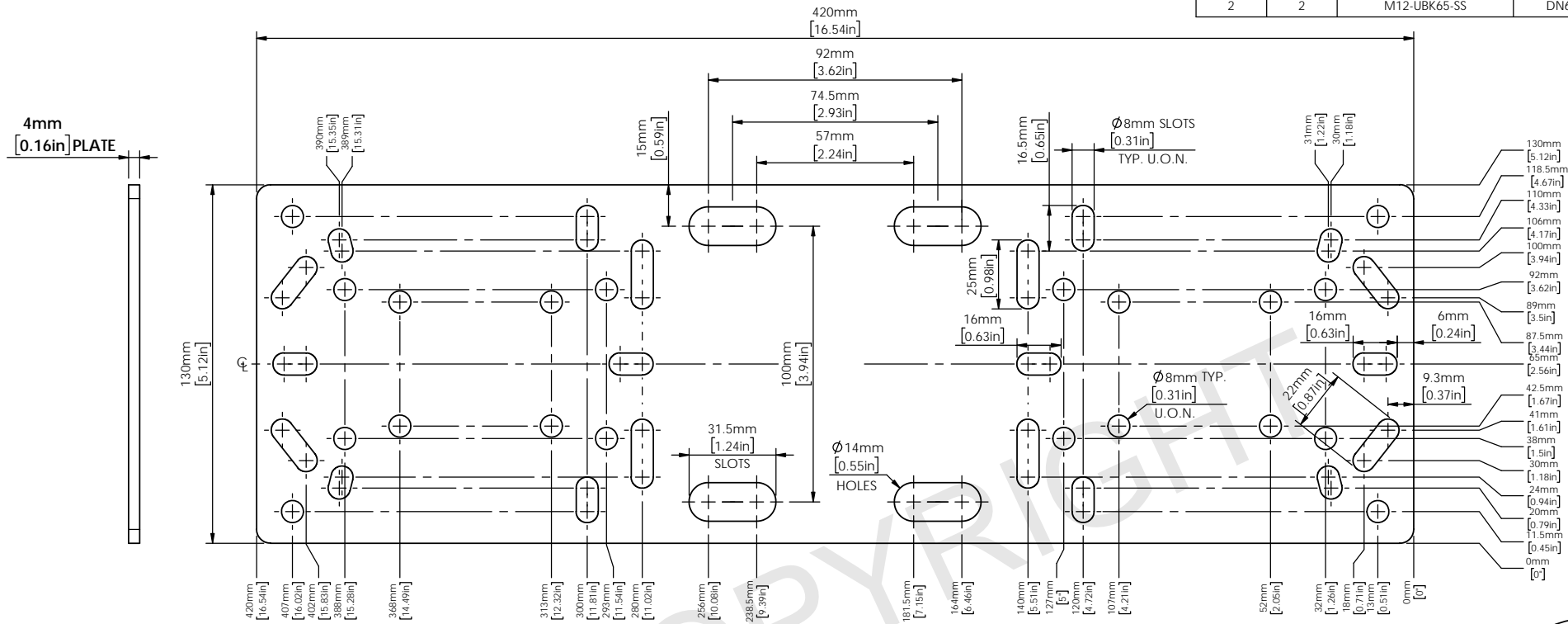
**PATENTED**  
 PRODUCTS

[www.swivelpole.com](http://www.swivelpole.com)

**Swivelpole**

This document is the property of and protected by copyright owned by Swivelpole Group Pty Ltd. The designs and other information embodied in this document comprise confidential information of Swivelpole Group Pty Ltd and form part of products covered by international patents and registered designs including US patent No 6957832. Unauthorised use, reproduction and disclosure are strictly prohibited. This document must not be removed from the premises of the licensed user of this document without Swivelpole Group Pty Ltd's prior approval.			
ALL DIMENSIONS ARE IN MILLIMETERS/INCHES	PROJECT: SWIVELPOLE™	SERIES / CODE: JBP	PART NUMBER: JBPK1201-65-HG (RC1928 - 10/10/23)
DRAWN BY: BP	DATE: 15-11-11	TITLE: Swivelpole™	
CHECKED BY: PP	DATE: 15-11-11	Junction Box Plate Kit with DN65 U-Bolts	
APPROVED BY: PP	DATE: 15-11-11	Client Detail	
THIRD ANGLE PROJECTION	SCALE: 1:1.5	DRG No: C-JBPK1201-65-HG	REV: 1 A3

ITEM NO.	QTY.	PART NUMBER	DESCRIPTION	WEIGHT
1	1	JBP1201-SS	Junction Box Plate	1.6
2	2	M12-UBK65-SS	DN65 U-Bolt Fastener Kit	0.3

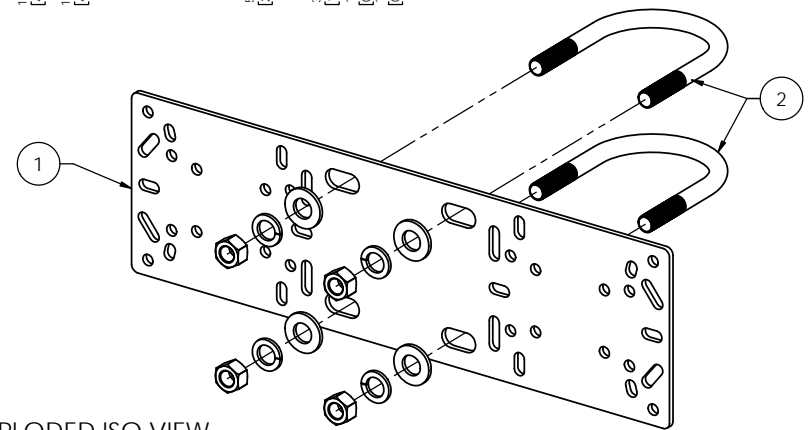


**PART No = JBP1201-65-SS**

MATERIAL = 316 Stainless Steel

WEIGHT = 2.2 kg [4.84 lb]

SUPPLIED WITH DN65 U-BOLTS & NUTS



EXPLODED ISO VIEW



Scan Code with QR Reader app for more Swivelpole™ Solutions

**PATENTED**  
PRODUCTS

[www.swivelpole.com](http://www.swivelpole.com)

**Swivelpole**

This document is the property of and protected by copyright owned by Swivelpole Group Pty Ltd. The designs and other information embodied in this document comprise confidential information of Swivelpole Group Pty Ltd and form part of products covered by international patents and registered designs including US patent No 6957832. Unauthorised use, reproduction and disclosure are strictly prohibited. This document must not be removed from the premises of the licensed user of this document without Swivelpole Group Pty Ltd's prior approval.

ALL DIMENSIONS ARE IN MILLIMETERS/INCHES	PROJECT	SERIES / CODE	PART NUMBER	DRG No	REV	A3
	SWIVELPOLE™	JBP	JBP1201-65-SS	(RQ)1928 - 10/10/23)	1	A3
DRAWN BY	KM	DATE	03/07/13	Swivelpole™		
CHECKED BY	BP	DATE	03/07/13	Junction Box Plate Kit with DN65 U-Bolts		
APPROVED BY	PP	DATE	03/07/13	Client Detail		
THIRD ANGLE PROJECTION	SCALE		1:1.5	C-JBP1201-65-SS		