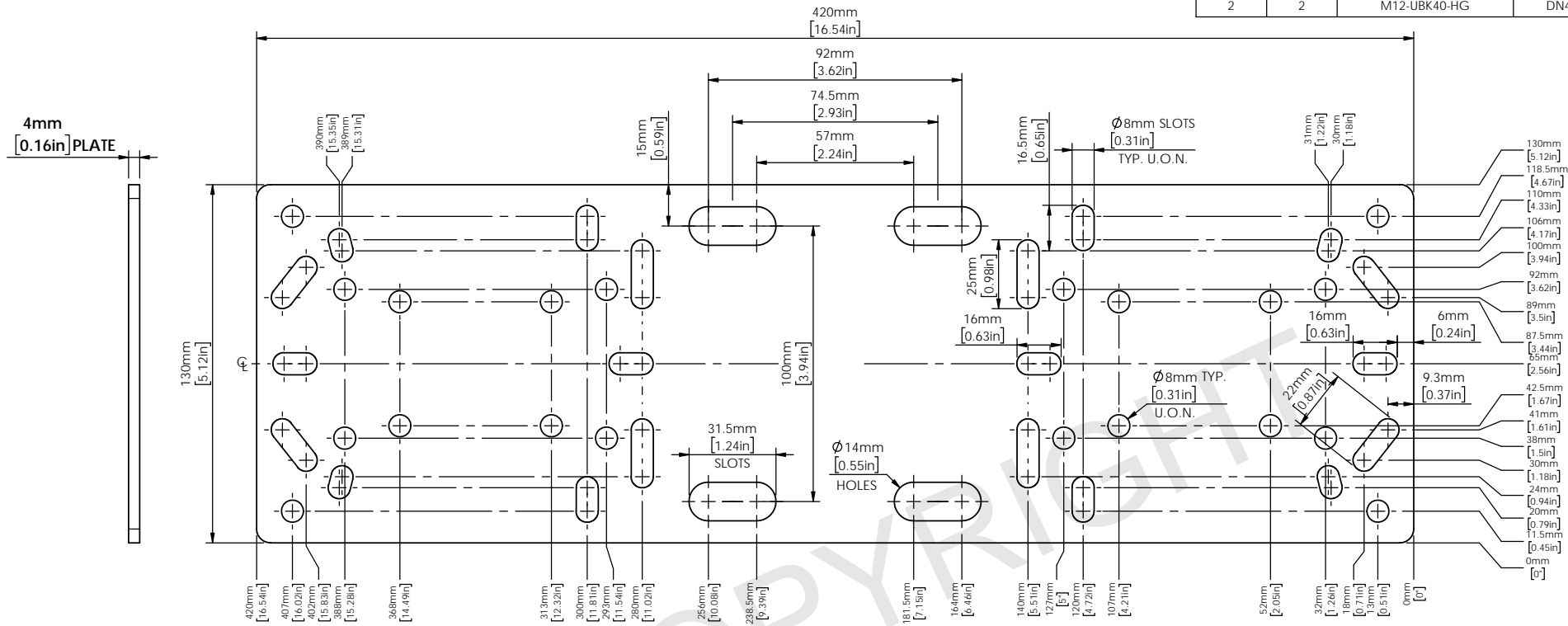


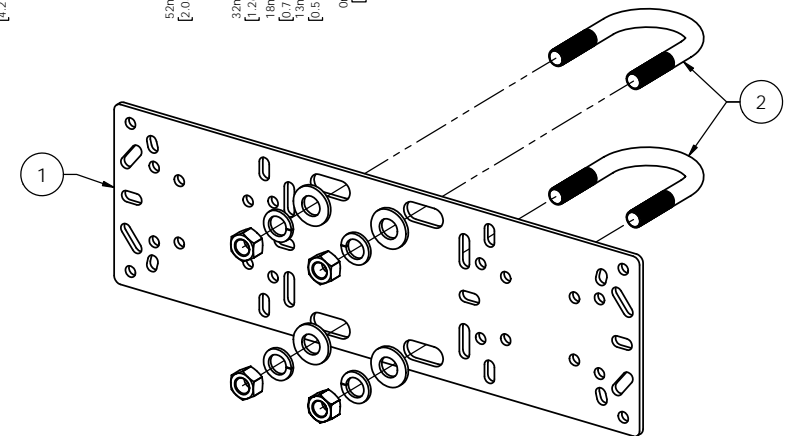
ITEM NO.	QTY.	PART NUMBER	DESCRIPTION	WEIGHT
1	1	JBP1201-HG	Junction Box Plate	1.5
2	2	M12-UBK40-HG	DN40 U-Bolt Fastener Kit	0.25



**PART No = JBP1201-40-HG**  
 MATERIAL = STEEL / HOT-DIP GALVANISED COATING

WEIGHT = 2.0 kg [4.4 lb]

SUPPLIED WITH DN40 U-BOLTS & NUTS



EXPLODED ISO VIEW



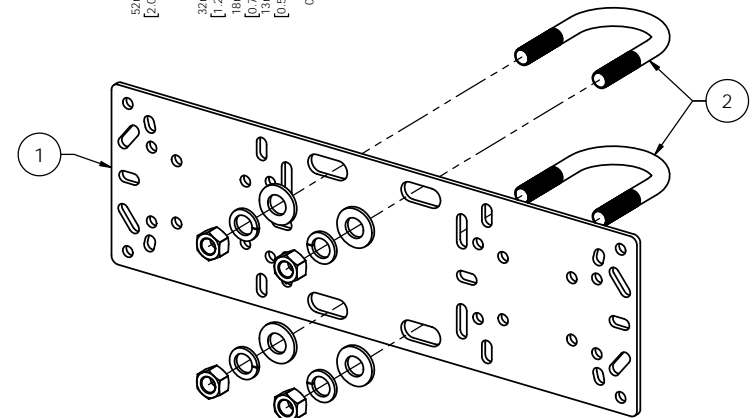
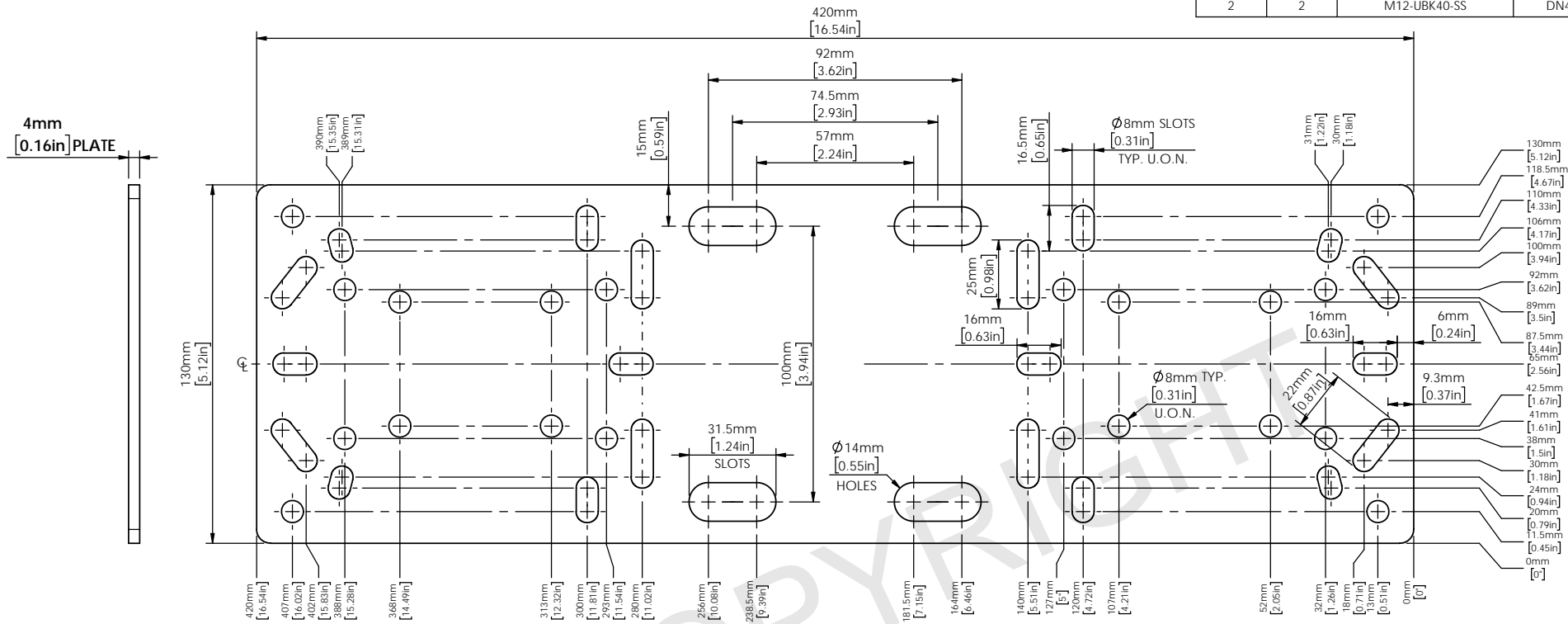
Scan Code with  
QR Reader app for more  
Swivelpole™ Solutions

**PATENTED**  
PRODUCTS

[www.swivelpole.com](http://www.swivelpole.com)

	This document is the property of and protected by copyright owned by Swivelpole Group Pty Ltd. The designs and other information embodied in this document comprise confidential information of Swivelpole Group Pty Ltd and form part of products covered by international patents and registered designs including US patent No 6957832. Unauthorised use, reproduction and disclosure are strictly prohibited. This document must not be removed from the premises of the licensed user of this document without Swivelpole Group Pty Ltd's prior approval.		PROJECT / SERIES / CODE <b>SWIVELPOLE™ / JBP</b>		PART NUMBER <b>JBP1201-40-HG</b>		(RC1928 - 10/10/23)
	ALL DIMENSIONS ARE IN MILLIMETERS/INCHES	DRAWN BY <b>AD</b>	DATE <b>15-06-10</b>	TITLE <b>Swivelpole™</b>			
	CHECKED BY <b>FB</b>	DATE <b>16-06-10</b>	<b>Junction Box Plate Kit with DN40 U-Bolts</b>				
	APPROVED BY <b>PP</b>	DATE <b>16-06-10</b>	<b>Client Detail</b>				
THIRD ANGLE PROJECTION		SCALE <b>1:1.5</b>	DRG No <b>C-JBP1201-40-HG</b>	REV <b>3</b>	A3		

ITEM NO.	QTY.	PART NUMBER	DESCRIPTION	WEIGHT
1	1	JBP1201-SS	Junction Box Plate	1.6
2	2	M12-UBK40-SS	DN40 U-Bolt Fastener Kit	0.3



EXPLODED ISO VIEW

**PART No = JBPK1201-40-SS**  
MATERIAL = 316 Stainless Steel

WEIGHT = 2.1 kg [4.62 lb]

SUPPLIED WITH DN40 U-BOLTS & NUTS



Scan Code with  
QR Reader app for more  
Swivelpole™ Solutions

**PATENTED**  
PRODUCTS

[www.swivelpole.com](http://www.swivelpole.com)

**Swivelpole**

This document is the property of and protected by copyright owned by Swivelpole Group Pty Ltd. The designs and other information embodied in this document comprise confidential information of Swivelpole Group Pty Ltd and form part of products covered by international patents and registered designs including US patent No 6957832. Unauthorised use, reproduction and disclosure are strictly prohibited. This document must not be removed from the premises of the licensed user of this document without Swivelpole Group Pty Ltd's prior approval.			
ALL DIMENSIONS ARE IN MILLIMETERS/INCHES	PROJECT SWIVELPOLE™	SERIES / CODE JBP	PART NUMBER JBPK1201-40-SS
DRAWN BY KM	DATE 10/10/23	TITLE Swivelpole™	
CHECKED BY AI	DATE 10/10/23	Junction Box Plate Kit with DN40 U-Bolts	
APPROVED BY RP	DATE 10/10/23	Client Detail	
THIRD ANGLE PROJECTION	SCALE 1:1.5	DRG No C-JBPK1201-40-SS	REV 0 A3