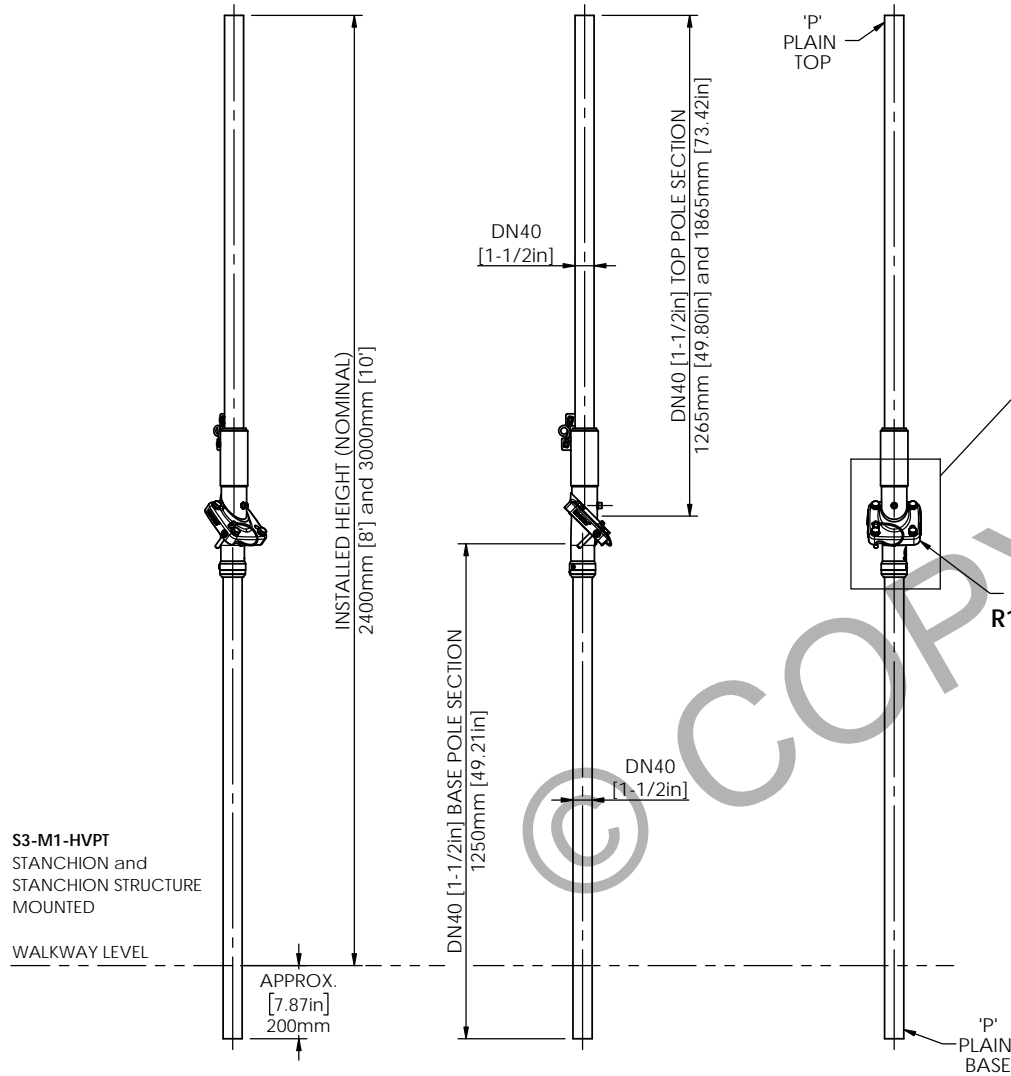


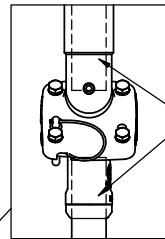
STRUCTURALLY CERTIFIED

ITEM No.	QTY.	DESCRIPTION	MATERIAL OPTIONS
1	1	HIGH VIBRATION POLE TOP - PLAIN	STEEL / HOT-DIP GALVANISED
2	1	Maxis™ M1 HVPT JOINT	STEEL / HOT-DIP GALVANISED
3	1	BASE POLE SECTION - PLAIN	STEEL / HOT-DIP GALVANISED



S3-M1-HVPT
STANCHION and
STANCHION STRUCTURE
MOUNTED

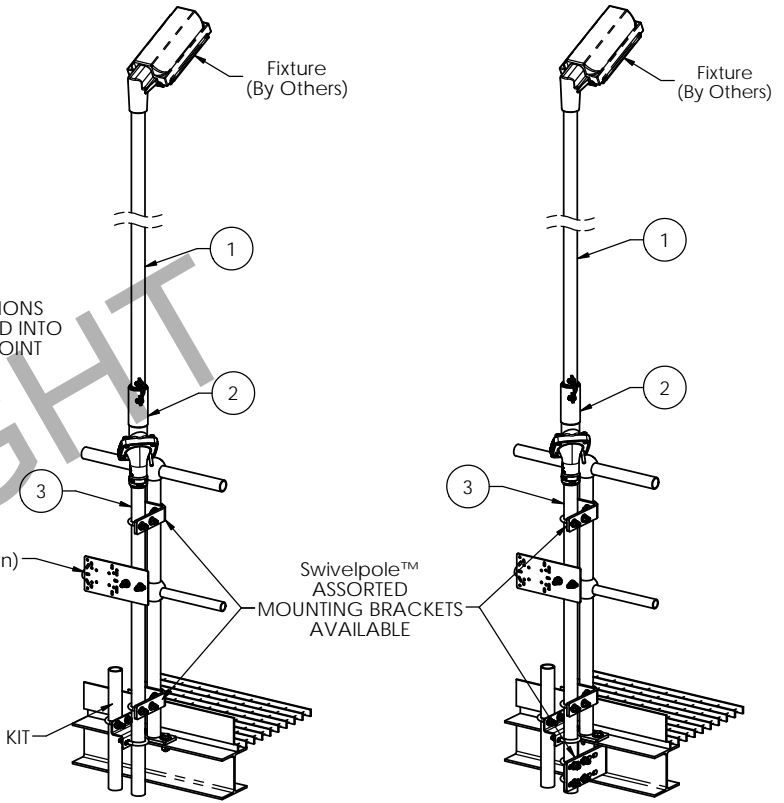
WALKWAY LEVEL



Swivelpole™ - Option:
JUNCTION BOX KIT
(P/No. JBPk1208-40-Z Shown)
- SAME BOTH DETAILS -

Maxis™ Part No:
R1-M1-40-HVPT-HG

Swivelpole™ - Option:
CABLE MANAGEMENT BRACKET KIT
(P/No. MBK-40-CM-01-Z-AL)
- SAME BOTH DETAILS -



HVPT - HIGH VIBRATION POLE TOP

S3-M1-HVPT
STANCHION MOUNTED
ASSEMBLY VIEW

S3-M1-HVPT
STANCHION/STRUCTURE MOUNTED
ASSEMBLY VIEW

Ordering Information: HOT-DIP GALVANISED

INSTALLED HEIGHT	PRODUCT CODE	WEIGHT
2400mm [8']	S3-M1-HVPT-2400-P-013-HG	14.2 kg (31.3 lb)
3000mm [10']	S3-M1-HVPT-3000-P-013-HG	16.3 kg (35.9 lb)



Scan Code with
QR Reader app for more
Maxis™ Product Solutions

maxis
PATENTED
PRODUCTS

www.maxisjoint.com

PATENTED
PRODUCTS

www.swivelpole.com

swivelpole

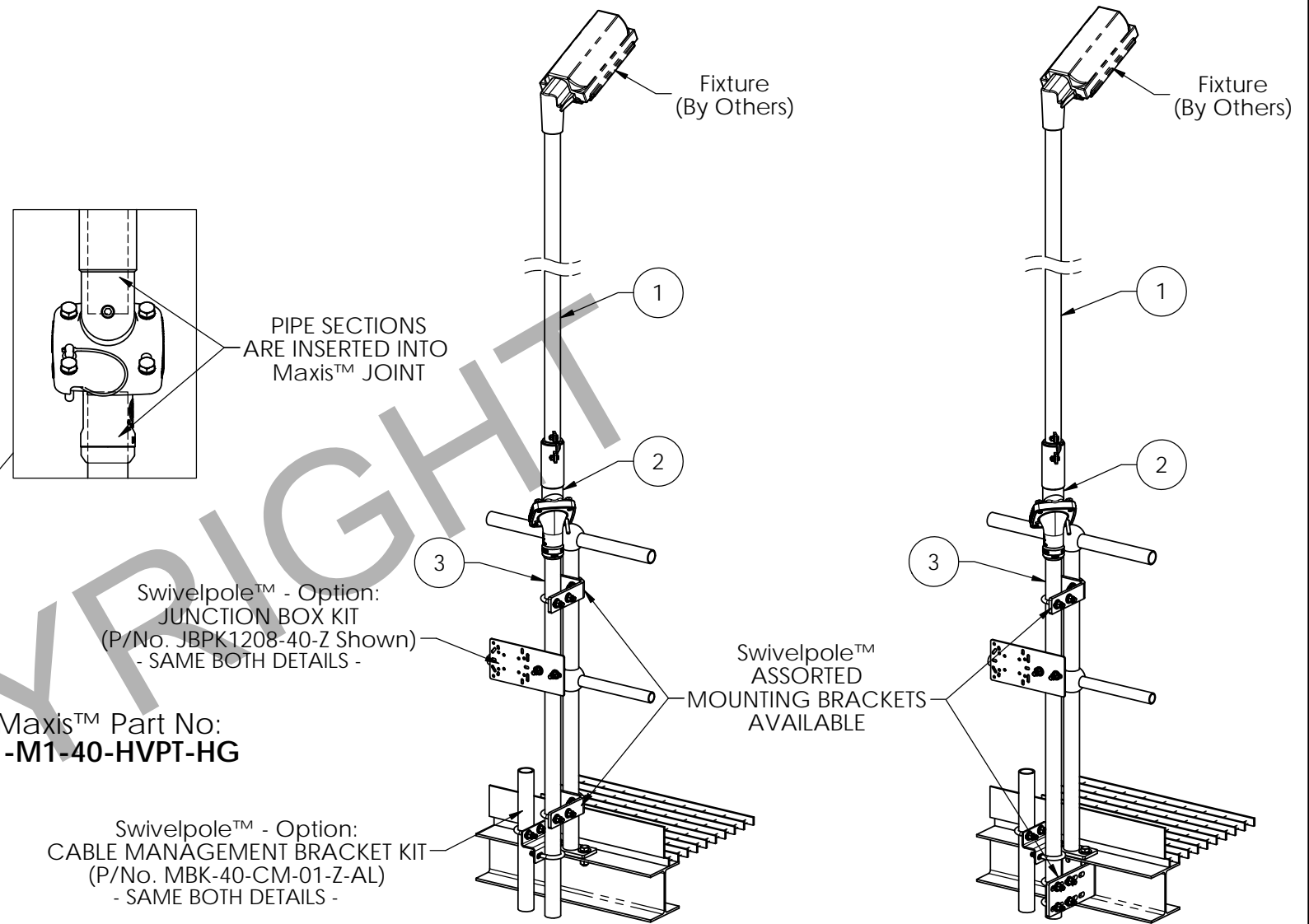
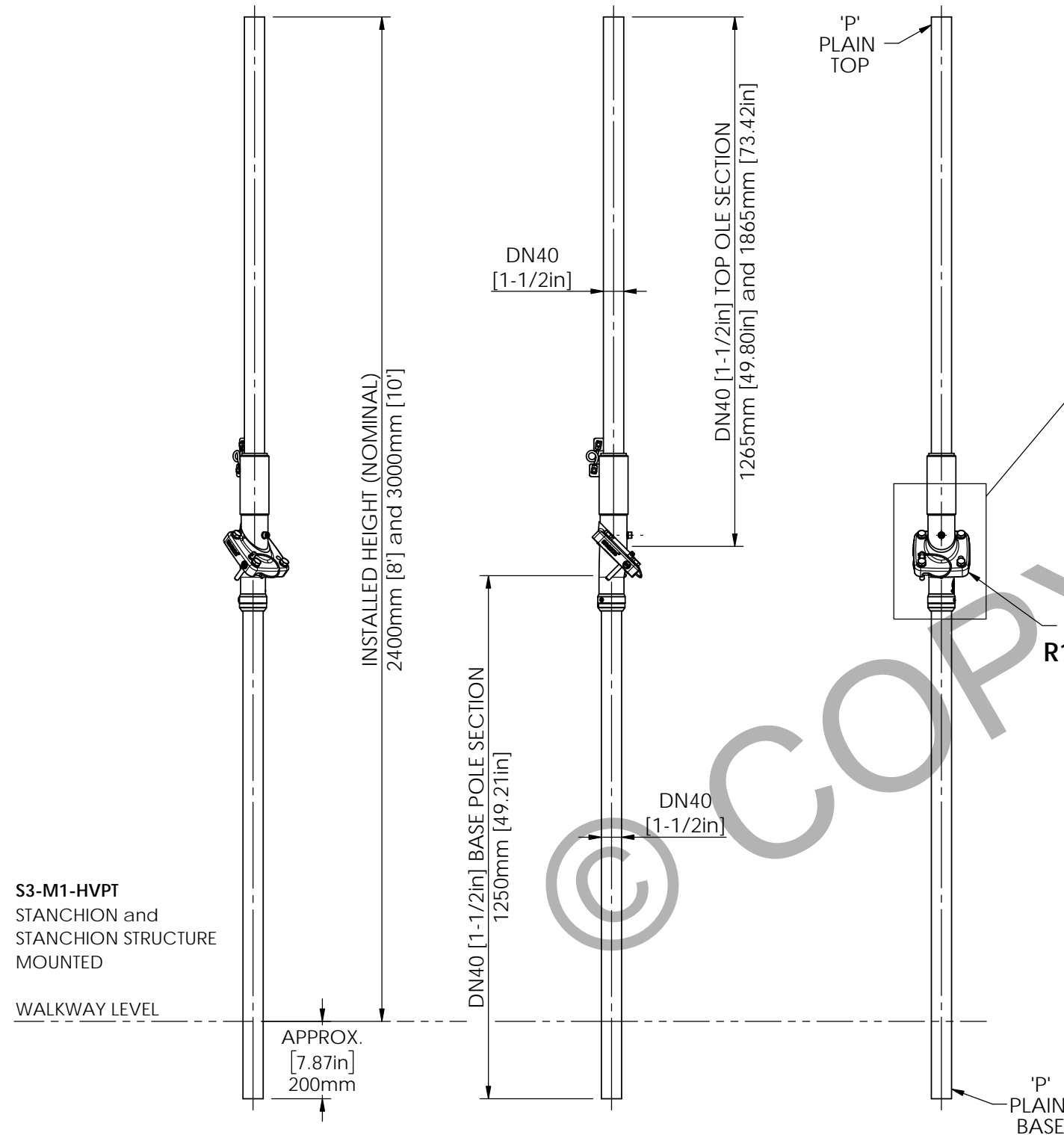
This document is the property of and protected by copyright owned by Swivelpole Group Pty Ltd and or Exemplar Products Pty Ltd. The designs and other information embodied in this document comprise confidential information of Swivelpole Group Pty Ltd and or Exemplar Products Pty Ltd and form part of products covered by international patents and registered designs including US patent No 6957832 and US patent No 9945143. Unauthorised use, reproduction and disclosure are strictly prohibited. This document must not be removed from the premises of the licensed user of this document without Swivelpole Group Pty Ltd's and or Exemplar Products Pty Ltd's prior approval.

ALL DIMENSIONS ARE IN MILLIMETERS / INCHES		SERIES / CODE	PART NUMBER
		S-HVPT	As Noted
DRAWN BY	BP	DATE	20/11/20
CHECKED BY	KM	DATE	20/11/20
APPROVED BY	AI	DATE	20/11/20
THIRD ANGLE PROJECTION	⊕	SCALE	N.T.S.
TITLE			DRG No
Swivelpole™ S3 - Maxis™ M1 Base Section - PLAIN - HVPT Top Section - PLAIN General Assembly			C-IEC-S3-M1-HVPT-4040-013-HG
			REV 0
			A3

IEC

STRUCTURALLY CERTIFIED

ITEM No.	QTY.	DESCRIPTION	MATERIAL OPTIONS
1	1	HIGH VIBRATION POLE TOP - PLAIN	ALUMINIUM
2	1	Maxis™ M1 HVPT JOINT	STEEL / HOT-DIP GALVANISED
3	1	BASE POLE SECTION - PLAIN	STEEL / HOT-DIP GALVANISED



HVPT - HIGH VIBRATION POLE TOP

S3-M1-HVPT STANCHION MOUNTED ASSEMBLY VIEW

S3-M1-HVPT STANCHION/STRUCTURE MOUNTED ASSEMBLY VIEW

Ordering Information: HOT-DIP GALVANISED / ALUMINIUM

INSTALLED HEIGHT	PRODUCT CODE	WEIGHT
2400mm [8']	S3-M1-HVPT-2400-P-013-HG-AL	11.9 kg (26.2 lb)
3000mm [10']	S3-M1-HVPT-3000-P-013-HG-AL	12.9 kg (28.4 lb)

S3-M1-HVPT STANCHION and STANCHION STRUCTURE MOUNTED WALKWAY LEVEL



Scan Code with QR Reader app for more Maxis™ Product Solutions

maxis
PATENTED PRODUCTS

www.maxisjoint.com

PATENTED PRODUCTS

www.swivelpole.com

Swivelpole™

This document is the property of and protected by copyright owned by Swivelpole Group Pty Ltd and or Exemplar Products Pty Ltd. The designs and other information embodied in this document comprise confidential information of Swivelpole Group Pty Ltd and or Exemplar Products Pty Ltd and form part of products covered by international patents and registered designs including US patent No 6957832 and US patent No 9945143. Unauthorised use, reproduction and disclosure are strictly prohibited. This document must not be removed from the premises of the licensed user of this document without Swivelpole Group Pty Ltd's and or Exemplar Products Pty Ltd's prior approval.

ALL DIMENSIONS ARE IN MILLIMETERS / INCHES	SERIES / CODE	PART NUMBER
	S-HVPT	As Noted
DRAWN BY: BP	DATE: 03/12/20	TITLE: Swivelpole™ S3 - Maxis™ M1
CHECKED BY: KM	DATE: 03/12/20	Base Section - PLAIN - HVPT Top Section - PLAIN
APPROVED BY: AI	DATE: 03/12/20	General Assembly
THIRD ANGLE PROJECTION	SCALE: N.T.S.	DRG No: C-IEC-S3-M1-HVPT-4040-013-HG-AL
		REV: 0 A3

IEC