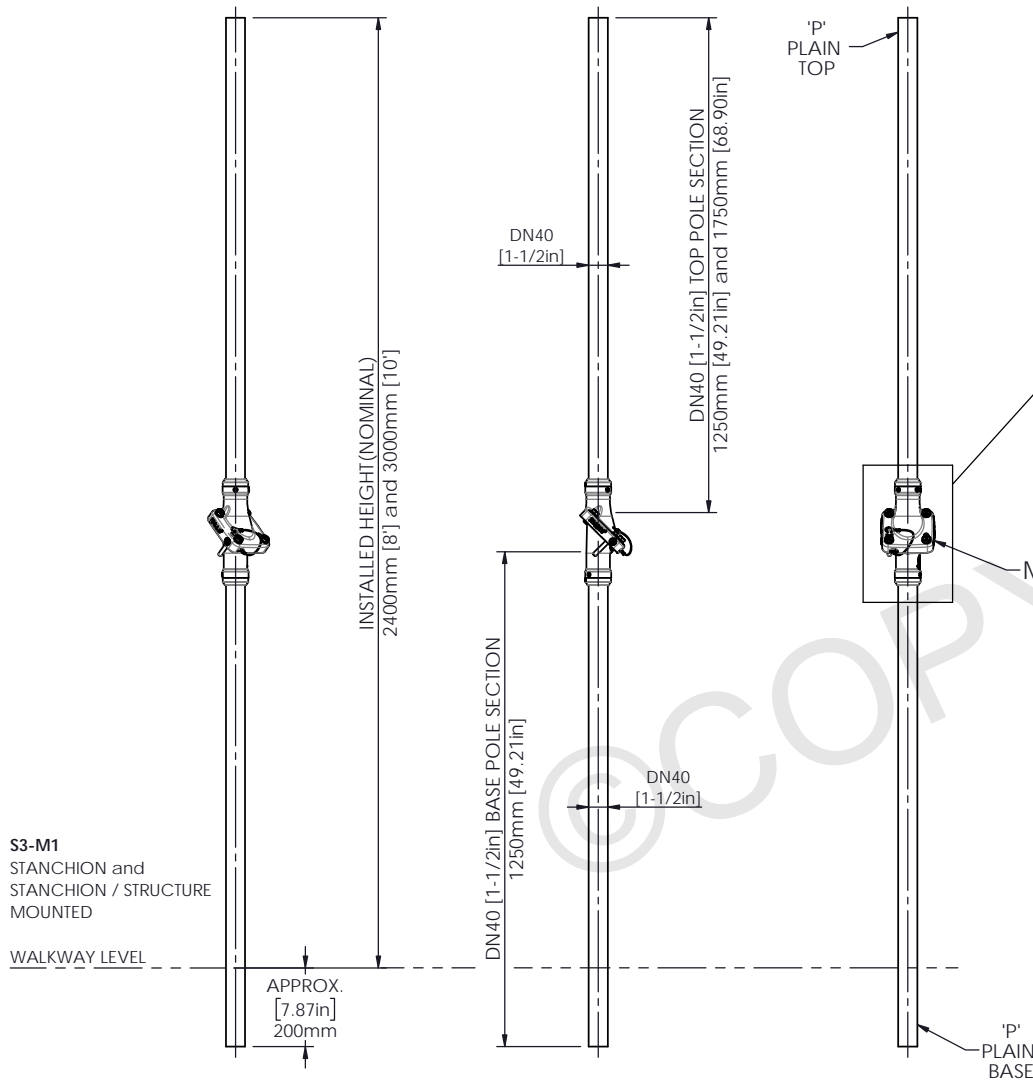


STRUCTURALLY CERTIFIED

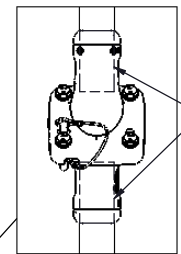


S3-M1
STANCHION and
STANCHION / STRUCTURE
MOUNTED

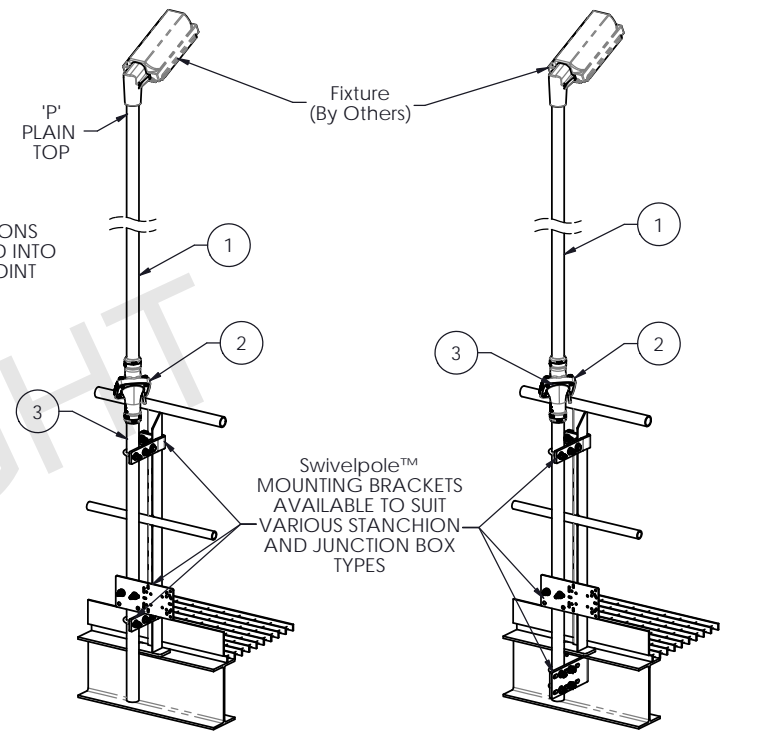
WALKWAY LEVEL

Maxis™ Part No:
R1-M1-40-HG

ITEM No.	QTY.	DESCRIPTION	MATERIAL OPTIONS
1	1	TOP POLE SECTION - PLAIN	STEEL / HOT-DIP GALVANISED ALUMINIUM
2	1	Maxis™ M1 JOINT	STEEL / HOT-DIP GALVANISED
3	1	BASE POLE SECTION - PLAIN	STEEL / HOT-DIP GALVANISED ALUMINIUM



PIPE SECTIONS
ARE INSERTED INTO
Maxis™ JOINT



**S3-M1
STANCHION MOUNTED**
ASSEMBLY VIEW

**S3-M1
STANCHION/STRUCTURE MOUNTED**
ASSEMBLY VIEW

Ordering Information: ALUMINIUM

INSTALLED HEIGHT	PRODUCT CODE	WEIGHT
2400mm [8']	S3-M1-2400-P-003-AL	8.6 kg (18.9 lb)
3000mm [10']	S3-M1-3000-P-003-AL	9.4 kg (20.7 lb)

Ordering Information: HOT-DIP GALVANISED

INSTALLED HEIGHT	PRODUCT CODE	WEIGHT
2400mm [8']	S3-M1-2400-P-003-HG	13.3 kg (29.3 lb)
3000mm [10']	S3-M1-3000-P-003-HG	15.0 kg (33.0 lb)



Scan Code with
QR Reader app for more
Swivelpole™ Solutions

maxis
PATENTED
PRODUCTS

www.maxisjoint.com

PATENTED
PRODUCTS

www.swivelpole.com

Swivelpole

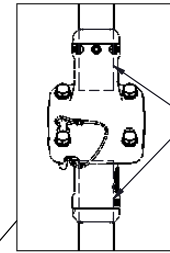
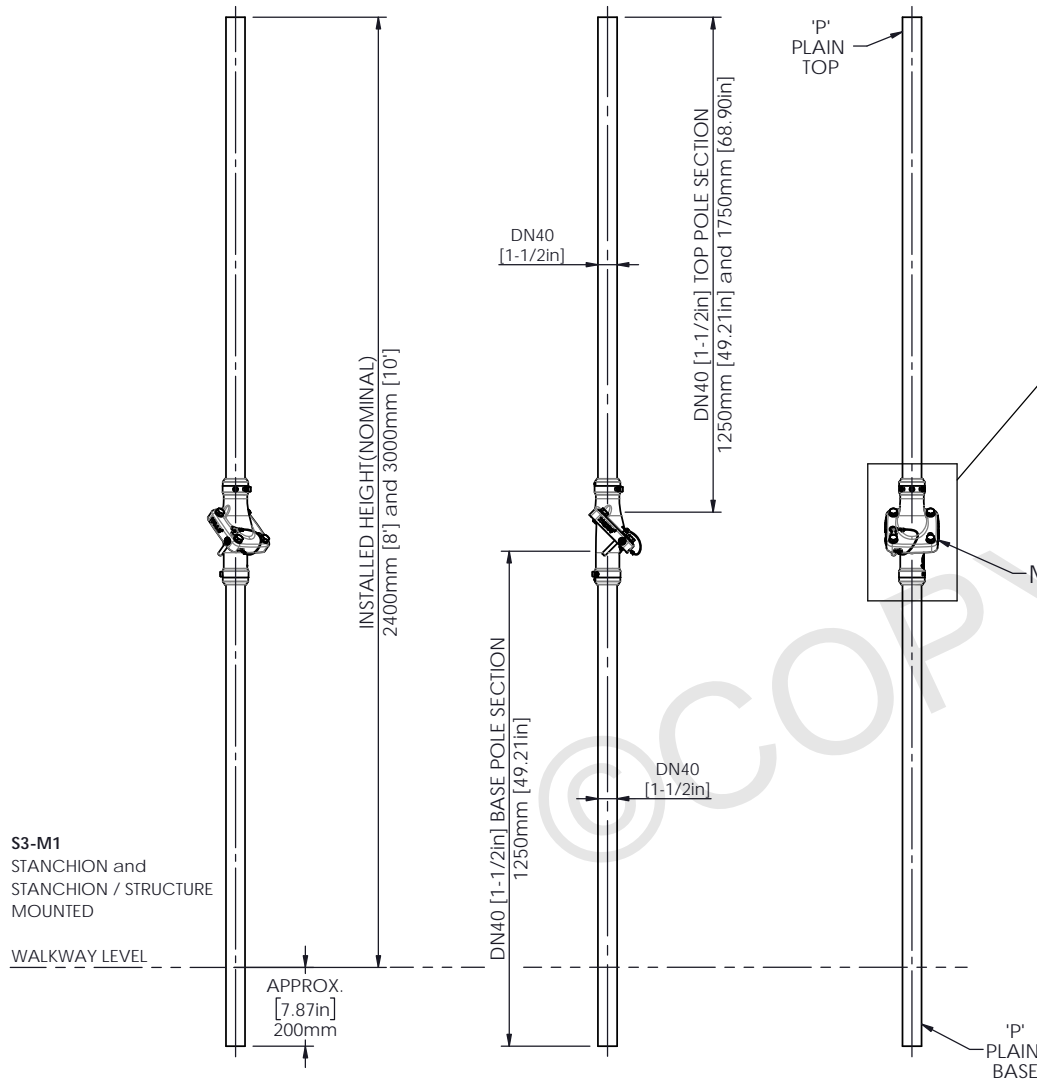
This document is the property of and protected by copyright owned by Swivelpole Group Pty Ltd and or Exemplar Products Pty Ltd. The designs and other information embodied in this document comprise confidential information of Swivelpole Group Pty Ltd and or Exemplar Products Pty Ltd and form part of products covered by international patents and registered designs including US patent No 6957832 and US patent No 9945143. Unauthorised use, reproduction and disclosure are strictly prohibited. This document must not be removed from the premises of the licensed user of this document without Swivelpole Group Pty Ltd's and or Exemplar Products Pty Ltd's prior approval.

ALL DIMENSIONS ARE IN MILLIMETERS / INCHES		SERIES / CODE	PART NUMBER
		S	As Noted (RQ1846 - 26/02/23)
DRAWN BY	BP	DATE	03/05/19
CHECKED BY	KM	DATE	03/05/19
APPROVED BY	AI	DATE	03/05/19
THIRD ANGLE PROJECTION	SCALE	N.T.S.	DRG No
			C-IEC-S3-M1-4040-P-(HG-AL)
			REV 5
			A3

IEC

STRUCTURALLY CERTIFIED

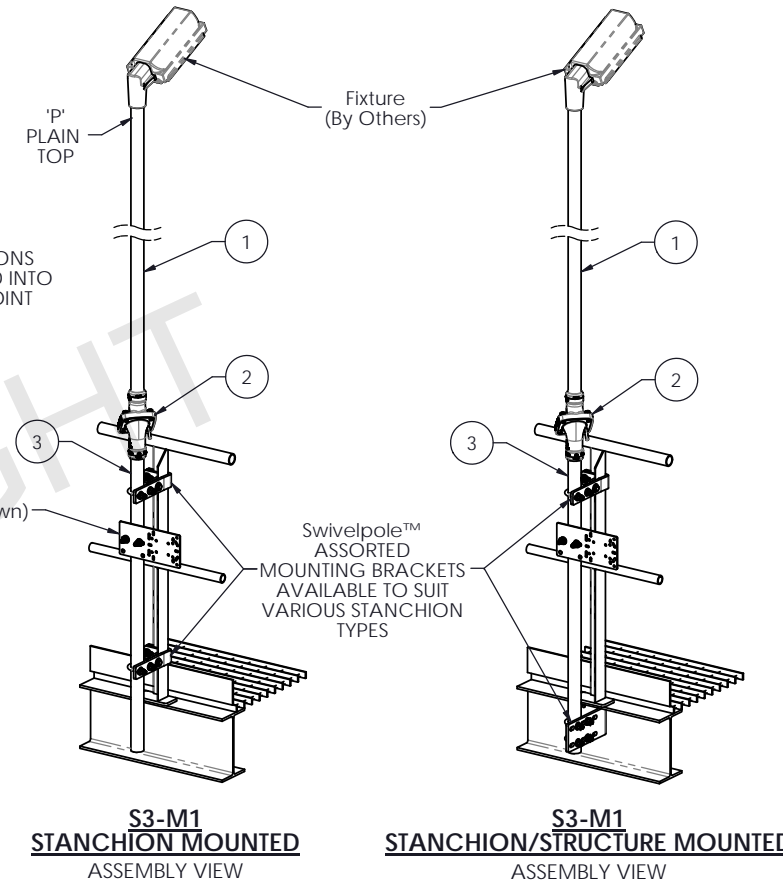
ITEM No.	QTY.	DESCRIPTION	MATERIAL OPTIONS
1	1	TOP POLE SECTION - PLAIN	316 STAINLESS STEEL
2	1	Maxis™ M1 JOINT	316 STAINLESS STEEL
3	1	BASE POLE SECTION - PLAIN	316 STAINLESS STEEL



PIPE SECTIONS ARE INSERTED INTO Maxis™ JOINT

Swivelpole™ - Option: JUNCTION BOX KIT (P/No. JBPK1208-40-SS Shown) - SAME BOTH DETAILS -

Maxis™ Part No: R1-M1-40-SS



Ordering Information: 316 STAINLESS STEEL

INSTALLED HEIGHT	PRODUCT CODE	WEIGHT
2400mm [8']	S3-M1-2400-P-003-SS	15.1 kg (33.3 lb)
3000mm [10']	S3-M1-3000-P-003-SS	17.1 kg (37.7 lb)

S3-M1 STANCHION and STANCHION / STRUCTURE MOUNTED

WALKWAY LEVEL

APPROX. [7.87in] 200mm



Scan Code with QR Reader app for more Swivelpole™ Solutions

maxis
PATENTED PRODUCTS

www.maxisjoint.com

PATENTED PRODUCTS

www.swivelpole.com

Swivelpole

This document is the property of and protected by copyright owned by Swivelpole Group Pty Ltd and or Exemplar Products Pty Ltd. The designs and other information embodied in this document comprise confidential information of Swivelpole Group Pty Ltd and or Exemplar Products Pty Ltd and form part of products covered by international patents and registered designs including US patent No 6957832 and US patent No 9945143. Unauthorised use, reproduction and disclosure are strictly prohibited. This document must not be removed from the premises of the licensed user of this document without Swivelpole Group Pty Ltd's and or Exemplar Products Pty Ltd's prior approval.

ALL DIMENSIONS ARE IN MILLIMETERS / INCHES	SERIES / CODE	PART NUMBER
	S	As Noted
DRAWN BY: BP	DATE: 04/01/21	TITLE: Swivelpole™ S3 - Maxis™ M1
CHECKED BY: KM	DATE: 05/01/21	Base Section - PLAIN - Top Section - PLAIN
APPROVED BY: AI	DATE: 06/01/21	General Assembly
THIRD ANGLE PROJECTION	SCALE: N.T.S.	DRG No: C-IEC-S3-M1-4040-P-SS
		REV 1 A3

IEC