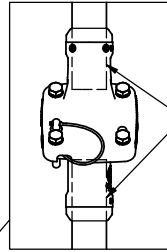
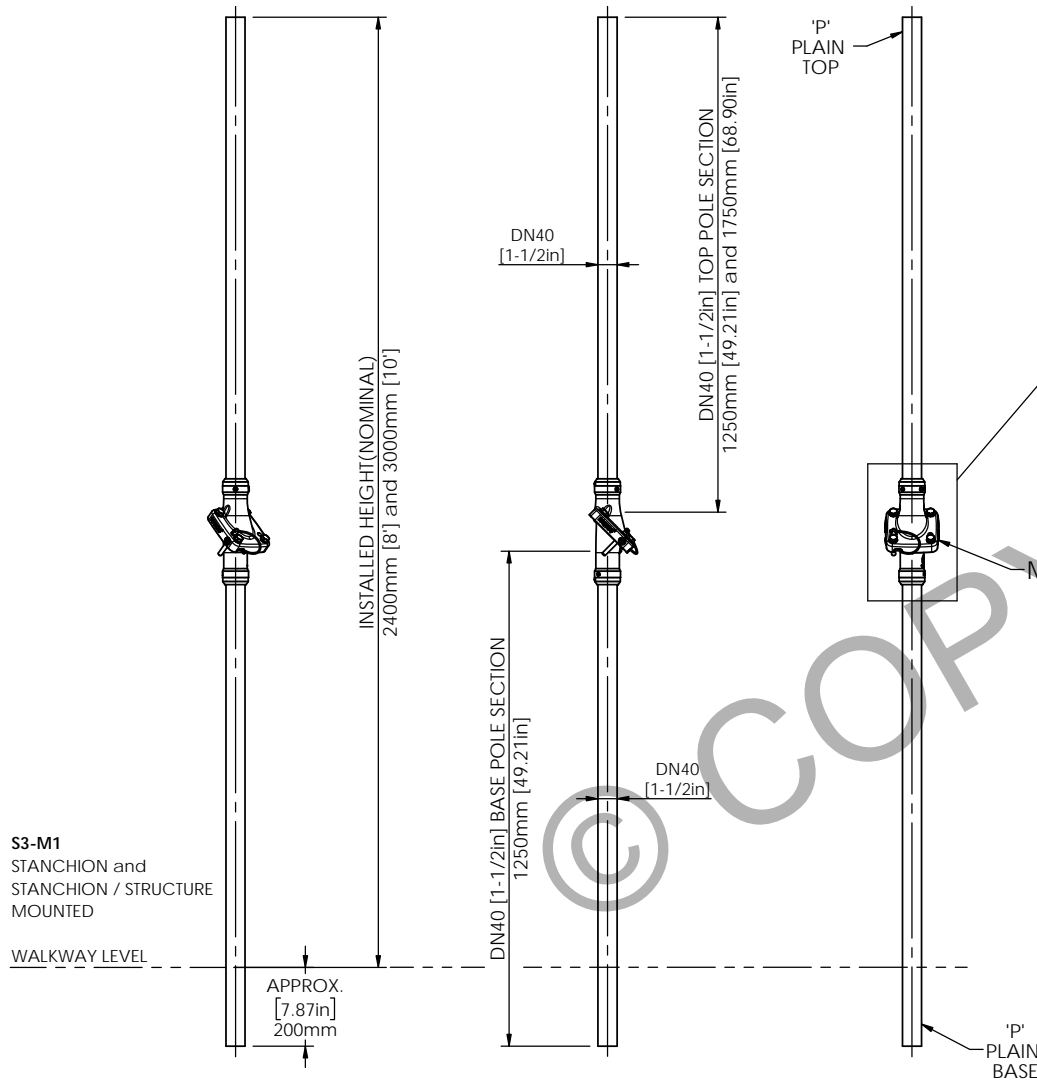


STRUCTURALLY CERTIFIED

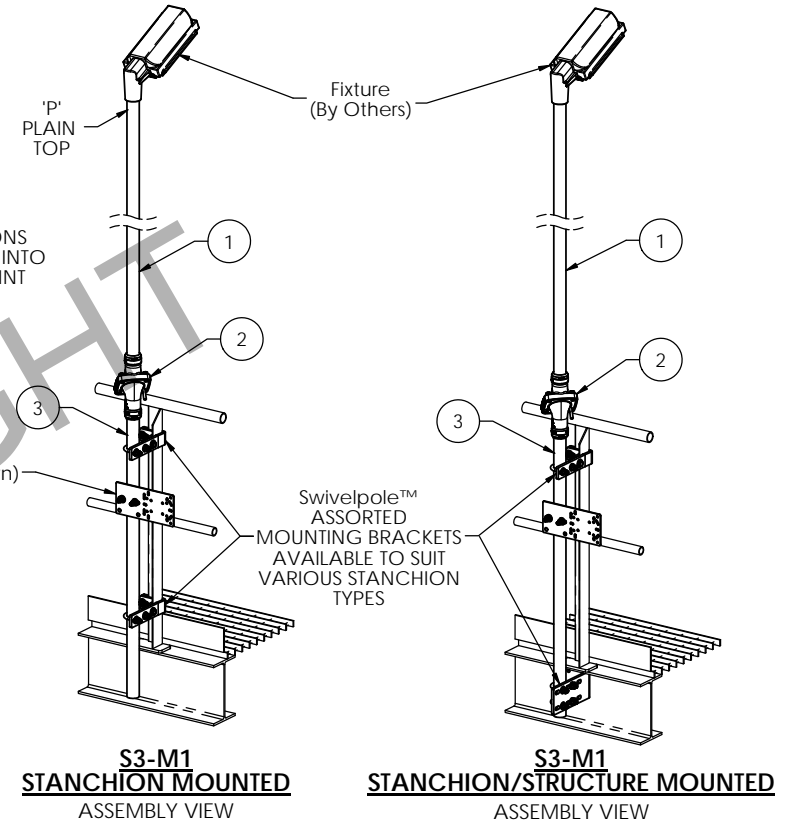
ITEM No.	QTY.	DESCRIPTION	MATERIAL OPTIONS
1	1	TOP POLE SECTION - PLAIN	STEEL / HOT-DIP GALVANISED ALUMINIUM
2	1	Maxis™ M1 JOINT	STEEL / ZINC ALUMINIUM COATING
3	1	BASE POLE SECTION - PLAIN	STEEL / HOT-DIP GALVANISED ALUMINIUM



PIPE SECTIONS ARE INSERTED INTO Maxis™ JOINT

Swivelpole™ - Option: JUNCTION BOX KIT (P/No. JBPK1208-40-Z Shown) - SAME BOTH DETAILS -

Maxis™ Part No: R1-M1-40-Z



S3-M1 STANCHION MOUNTED ASSEMBLY VIEW

S3-M1 STANCHION/STRUCTURE MOUNTED ASSEMBLY VIEW

Ordering Information: ALUMINIUM

INSTALLED HEIGHT	PRODUCT CODE	WEIGHT
2400mm [8']	S3-M1-2400-P-003-AL	8.6 kg (18.9 lb)
3000mm [10']	S3-M1-3000-P-003-AL	9.4 kg (20.7 lb)

Ordering Information: HOT-DIP GALVANISED

INSTALLED HEIGHT	PRODUCT CODE	WEIGHT
2400mm [8']	S3-M1-2400-P-003-HG	13.3 kg (29.3 lb)
3000mm [10']	S3-M1-3000-P-003-HG	15.0 kg (33.0 lb)

S3-M1 STANCHION and STANCHION / STRUCTURE MOUNTED

WALKWAY LEVEL

APPROX. [7.87in] 200mm



Scan Code with QR Reader app for more Swivelpole™ Solutions

maxis
PATENTED PRODUCTS

www.maxisjoint.com

PATENTED PRODUCTS

www.swivelpole.com

Swivelpole

This document is the property of and protected by copyright owned by Swivelpole Group Pty Ltd and or Exemplar Products Pty Ltd. The designs and other information embodied in this document comprise confidential information of Swivelpole Group Pty Ltd and or Exemplar Products Pty Ltd and form part of products covered by international patents and registered designs including US patent No 6957832 and US patent No 9945143. Unauthorised use, reproduction and disclosure are strictly prohibited. This document must not be removed from the premises of the licensed user of this document without Swivelpole Group Pty Ltd's and or Exemplar Products Pty Ltd's prior approval.

ALL DIMENSIONS ARE IN MILLIMETERS / INCHES	SERIES / CODE	PART NUMBER
	S	As Noted (RQ1655 - 12/04/21)
DRAWN BY: BP	DATE: 03/05/19	TITLE: Swivelpole™ S3 - Maxis™ M1 Base Section - PLAIN - Top Section - PLAIN General Assembly
CHECKED BY: KM	DATE: 03/05/19	
APPROVED BY: AI	DATE: 03/05/19	
THIRD ANGLE PROJECTION	SCALE: N.T.S.	DRG No: C-IEC-S3-M1-4040-003-(HG-AL)
		REV 3 A3

IEC