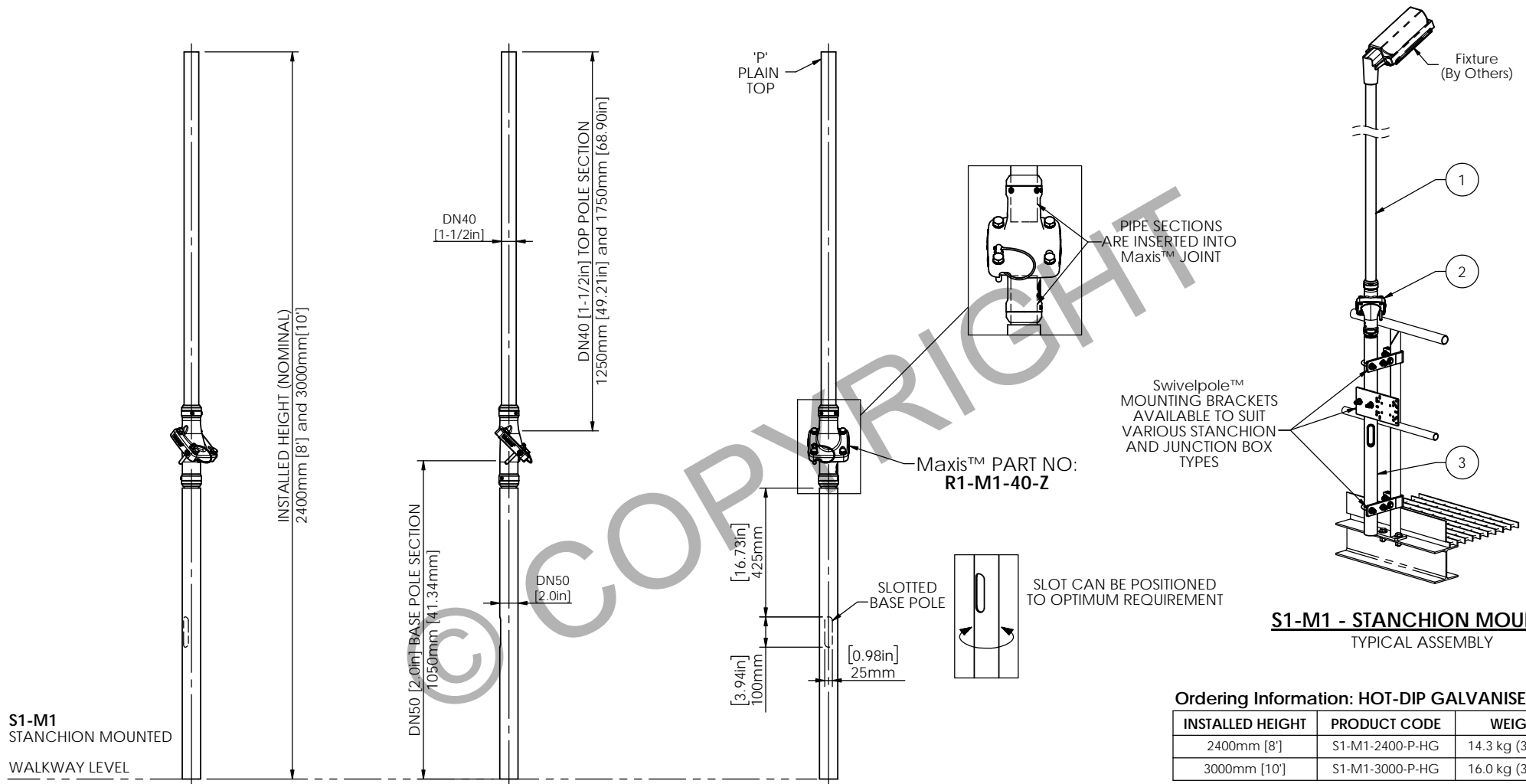


STRUCTURALLY CERTIFIED

ITEM NO.	QTY.	DESCRIPTION	MATERIAL OPTIONS
1	1	TOP POLE SECTION - PLAIN	STEEL / HOT-DIP GALVANISED
2	1	Maxis™ M1 Joint	STEEL / ZINC ALUMINIUM COATING
3	1	BASE POLE SECTION - SLOTTED CW REDUCER - SUPPLIED WITH CABLE SLOT GROMMET	STEEL / HOT-DIP GALVANISED



S1-M1 - STANCHION MOUNTED TYPICAL ASSEMBLY

Ordering Information: HOT-DIP GALVANISED

INSTALLED HEIGHT	PRODUCT CODE	WEIGHT
2400mm [8']	S1-M1-2400-P-HG	14.3 kg (31.5 lb)
3000mm [10']	S1-M1-3000-P-HG	16.0 kg (35.2 lb)

S1-M1
STANCHION MOUNTED
WALKWAY LEVEL



Scan Code with
QR Reader app for more
Swivelpole™ Solutions

maxis
PATENTED
PRODUCTS

www.maxisjoint.com

PATENTED
PRODUCTS

www.swivelpole.com

swivelpole

This document is the property of and protected by copyright owned by Swivelpole Group Pty Ltd and or Exemplar Products Pty Ltd. The designs and other information embodied in this document comprise confidential information of Swivelpole Group Pty Ltd and or Exemplar Products Pty Ltd and form part of products covered by international patents and registered designs including US patent No 6957832 and US patent No 9945143. Unauthorised use, reproduction and disclosure are strictly prohibited. This document must not be removed from the premises of the licensed user of this document without Swivelpole Group Pty Ltd's and or Exemplar Products Pty Ltd's prior approval.

ALL DIMENSIONS ARE IN MILLIMETERS / INCHES	SERIES / CODE	PART NUMBER
	S	As Noted
DRAWN BY BP	DATE 05/04/19	TITLE Swivelpole™ S1 - Maxis™ M1
CHECKED BY KM	DATE 08/04/19	Base Section - SLOTTED - Top Section - PLAIN
APPROVED BY AI	DATE 08/04/19	General Assembly
THIRD ANGLE PROJECTION	SCALE N.T.S.	DRG No C-IEC-S1-M1-5040-002-HG
		REV 4
		A3

IEC