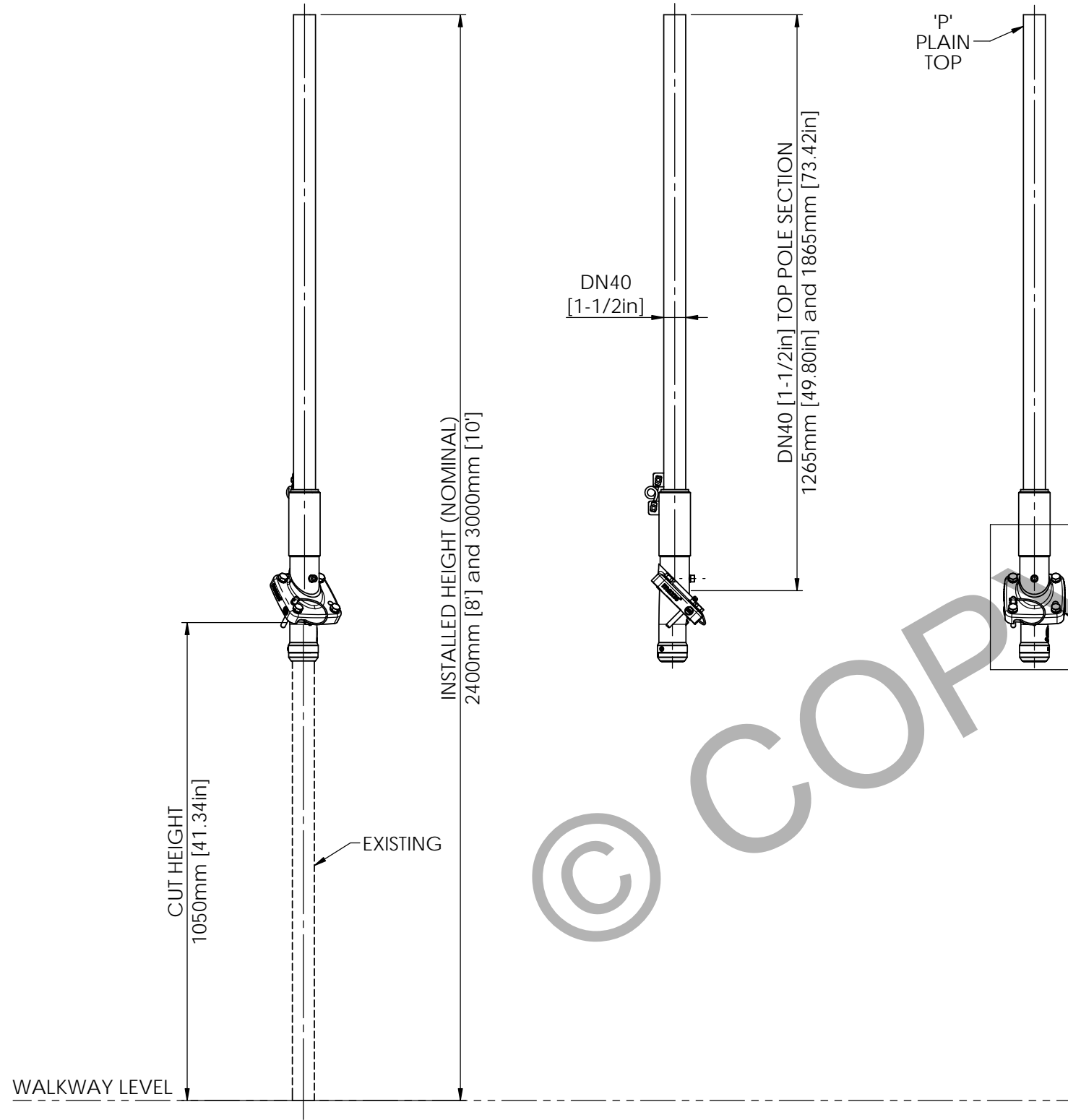
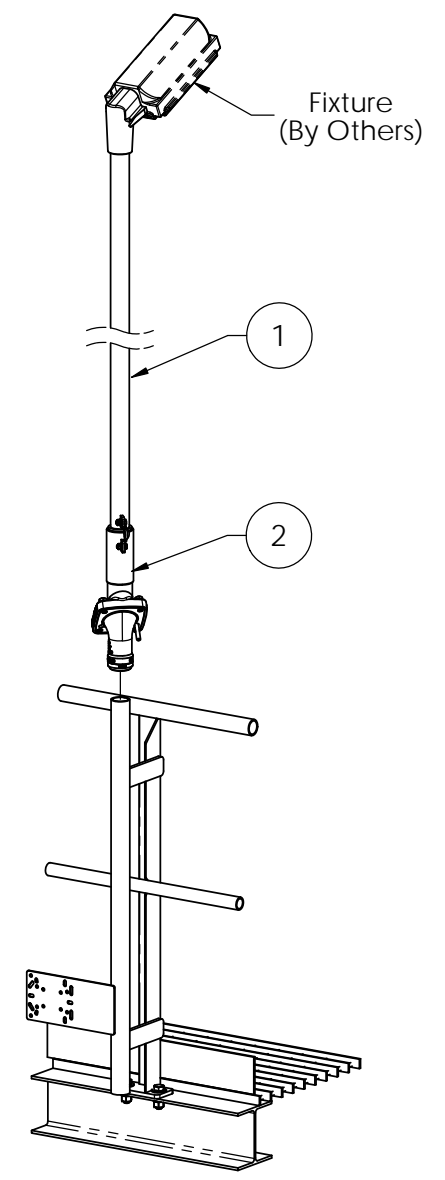
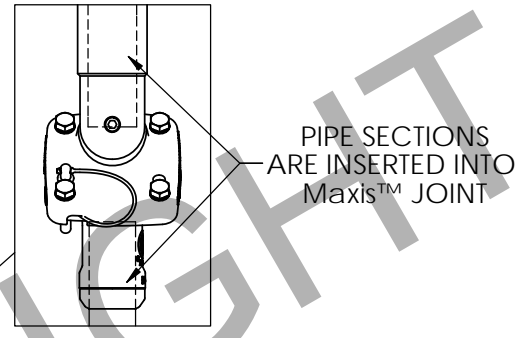


# STRUCTURALLY CERTIFIED

ITEM NO.	QTY.	DESCRIPTION	MATERIAL OPTIONS
1	1	HIGH VIBRATION POLE TOP - PLAIN	STEEL / HOT-DIP GALVANISED
2	1	Maxis™ M1 HVPT JOINT	STEEL / HOT-DIP GALVANISED



Maxis™ PART No:  
**R1-M1-40-HVPT-HG**



## HVPT - HIGH VIBRATION POLE TOP

### R2-M1-HVPT-40 : Maxis™ M1 and TOP POLE ATTACHED TO EXISTING BASE POLE & STRUCTURE TYPICAL ASSEMBLY

#### Ordering Information: HOT-DIP GALVANISED

INSTALLED HEIGHT	PRODUCT CODE	WEIGHT
2400mm [ 8' ]	R2-M1-HVPT-40-2400-P-001-HG	9.8 kg (21.6 lb)
3000mm [ 10' ]	R2-M1-HVPT-40-3000-P-001-HG	11.9 kg (26.2 lb)

IEC



Scan Code with QR Reader app for more Maxis™ Product Solutions

**maxis**  
PATENTED PRODUCTS

[www.maxisjoint.com](http://www.maxisjoint.com)

**PATENTED PRODUCTS**

[www.swivelpole.com](http://www.swivelpole.com)

**Swivelpole™**

This document is the property of and protected by copyright owned by Swivelpole Group Pty Ltd and or Exemplar Products Pty Ltd. The designs and other information embodied in this document comprise confidential information of Swivelpole Group Pty Ltd and or Exemplar Products Pty Ltd and form part of products covered by international patents and registered designs including US patent No 6957832 and US patent No 9945143. Unauthorised use, reproduction and disclosure are strictly prohibited. This document must not be removed from the premises of the licensed user of this document without Swivelpole Group Pty Ltd's and or Exemplar Products Pty Ltd's prior approval.

ALL DIMENSIONS ARE IN MILLIMETERS / INCHES	SERIES / CODE	PART NUMBER
	R-HVPT	As Noted
DRAWN BY BP	DATE 30/11/20	TITLE Swivelpole™ R2 - Maxis™ M1 HVPT - Top Pole Section - PLAIN General Assembly
CHECKED BY KM	DATE 30/11/20	
APPROVED BY AI	DATE 30/11/20	
THIRD ANGLE PROJECTION	SCALE N.T.S.	DRG No C-IEC-R2-M1-HVPT-40-012-HG
		REV 0 A3