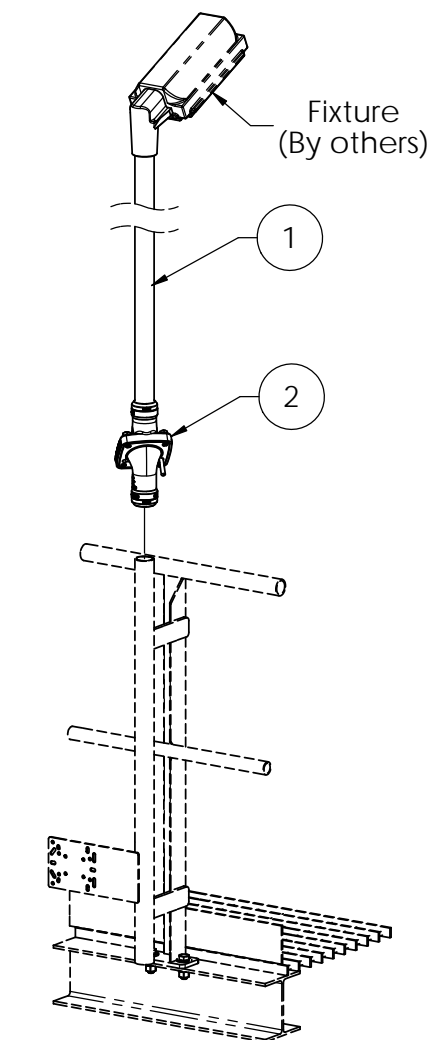
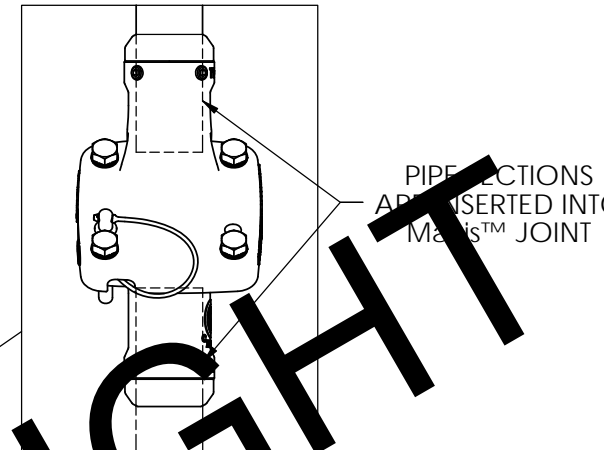
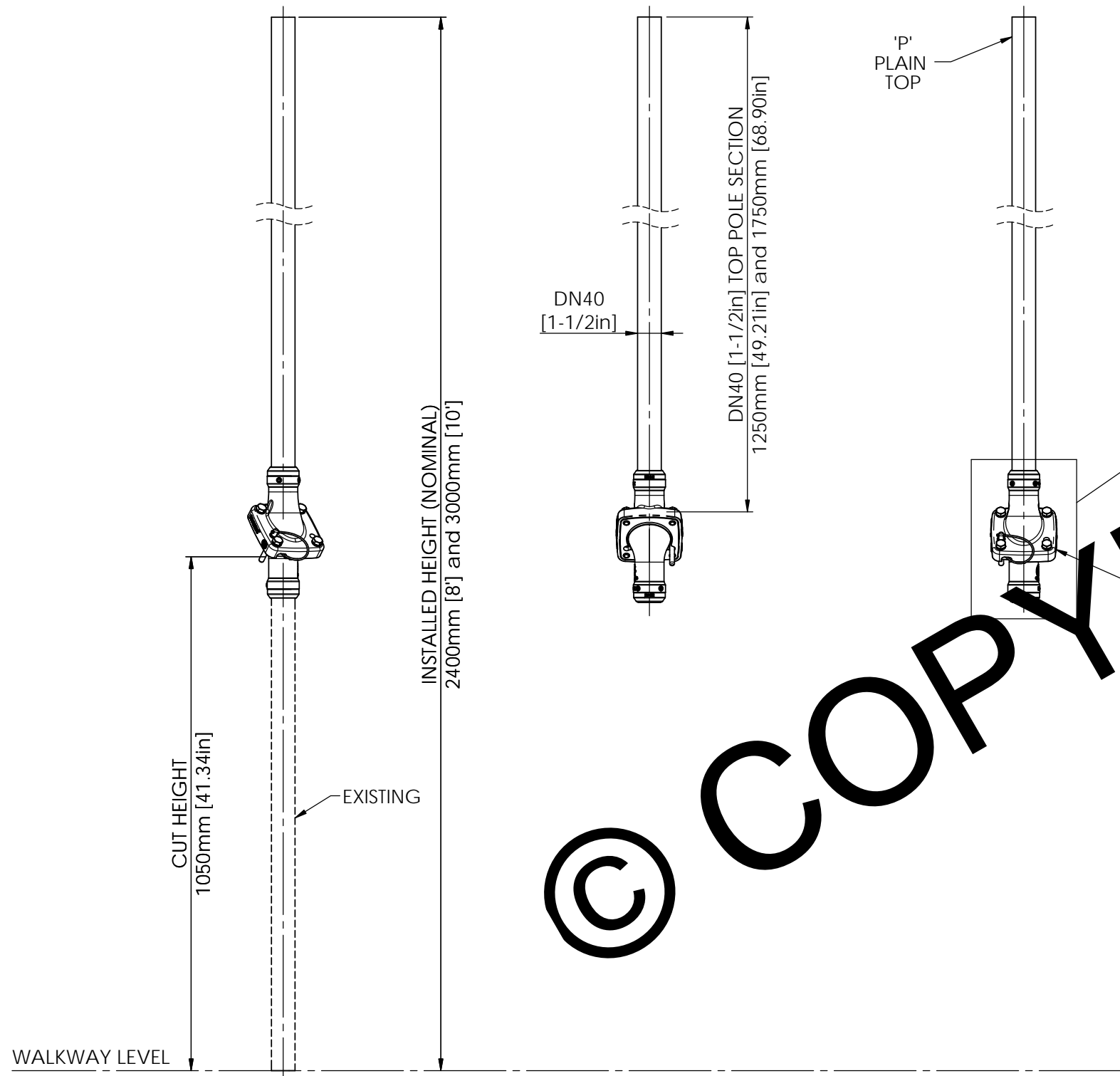


# STRUCTURALLY CERTIFIED

ITEM NO.	QTY	DESCRIPTION	MATERIAL OPTIONS
1	1	TOP POLE SECTION - PLAIN	STEEL / HOT-DIP GALVANISED ALUMINIUM
2	1	Maxis™ M1 JOINT	STEEL / ZINC ALUMINIUM COATING



© COPY RIGHT

Maxis™ Part No: **R1-M1-40-Z**

## R2-M1-40 : Maxis™ M1 and TOP POLE ATTACHED TO EXISTING BASE POLE & STRUCTURE TYPICAL ASSEMBLY

### Ordering Information: ALUMINIUM

INSTALLED HEIGHT	PRODUCT CODE	WEIGHT
2400mm [ 8' ]	R2-M1-40-2400-P-AL	6.5 kg (14.3 lb)
3000mm [ 10' ]	R2-M1-40-3000-P-AL	7.4 kg (16.3 lb)

### Ordering Information: HOT-DIP GALVANISED

INSTALLED HEIGHT	PRODUCT CODE	WEIGHT
2400mm [ 8' ]	R2-M1-40-2400-P-HG	8.9 kg (19.6 lb)
3000mm [ 10' ]	R2-M1-40-3000-P-HG	10.6 kg (23.3 lb)



Scan Code with QR Reader app for more Swivelpole™ Solutions

**maxis**<sup>®</sup>  
PATENTED  
PRODUCTS

[www.maxisjoint.com](http://www.maxisjoint.com)

**PATENTED**  
PRODUCTS

[www.swivelpole.com](http://www.swivelpole.com)

**Swivelpole™**

This document is the property of and protected by copyright owned by Swivelpole Group Pty Ltd and or Exemplar Products Pty Ltd. The designs and other information embodied in this document comprise confidential information of Swivelpole Group Pty Ltd and or Exemplar Products Pty Ltd and form part of products covered by international patents and registered designs including US patent No 6957832 and US patent No 9945143. Unauthorised use, reproduction and disclosure are strictly prohibited. This document must not be removed from the premises of the licensed user of this document without Swivelpole Group Pty Ltd's and or Exemplar Products Pty Ltd's prior approval.

ALL DIMENSIONS ARE IN MILLIMETERS / INCHES	SERIES / CODE R	PART NUMBER As Noted	(RQ1626 - 19/01/2021)
DRAWN BY BP	DATE 08/04/19	TITLE Swivelpole™ R2 - Maxis™ M1 Top Section - PLAIN	
CHECKED BY KM	DATE 09/04/19	General Assembly	
APPROVED BY AI	DATE 09/04/19		
THIRD ANGLE PROJECTION	SCALE N.T.S.	DRG No C-IEC-R2-M1-40-002-(HG-AL)	REV 2 A3

IEC