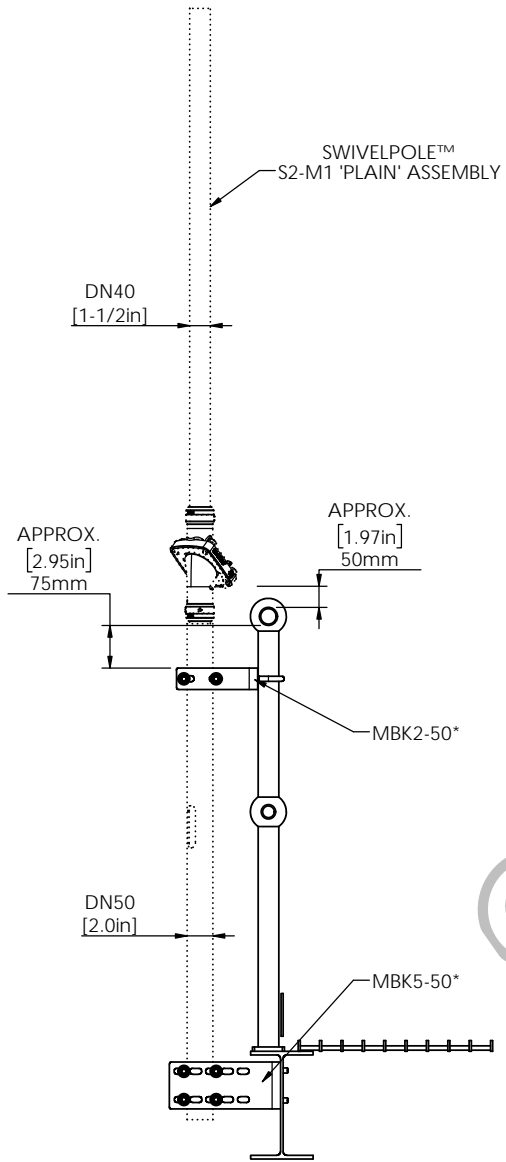


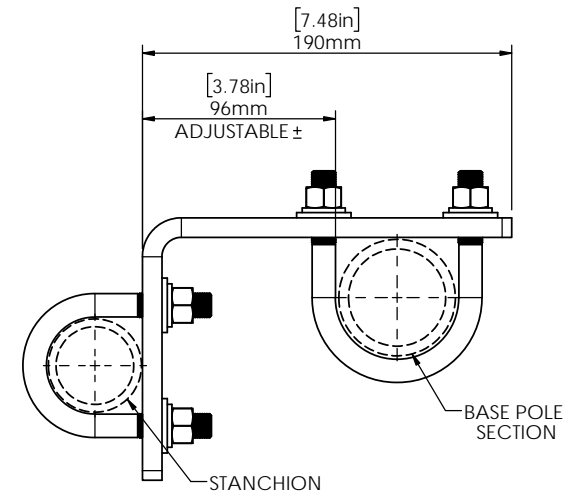
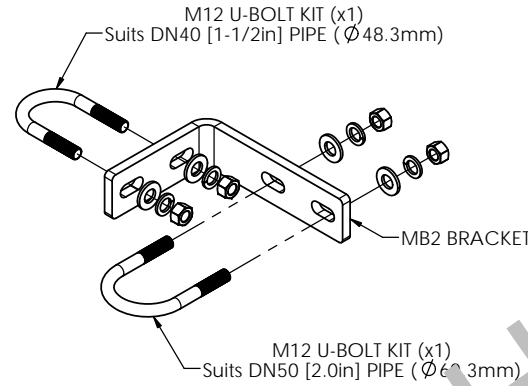
STRUCTURALLY CERTIFIED



MBK2-5-50*
TYPICAL ASSEMBLY

MBK2-50* BRACKET

WEIGHT (INCLUDES BRACKET AND FASTENERS) = 1.6 kg [3.52 lb]

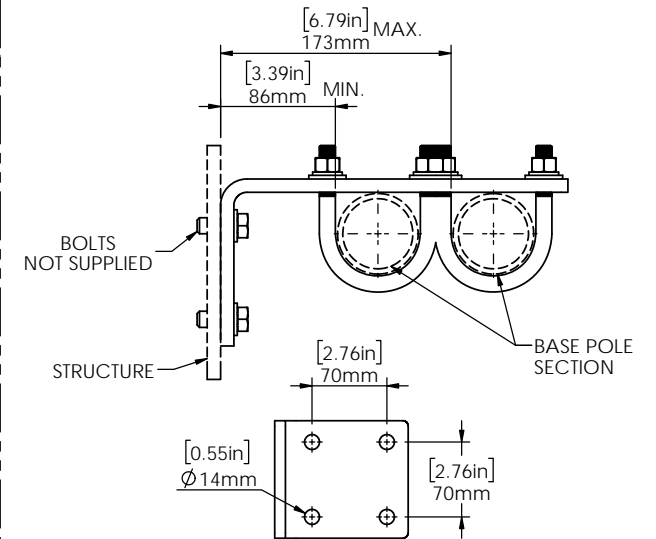
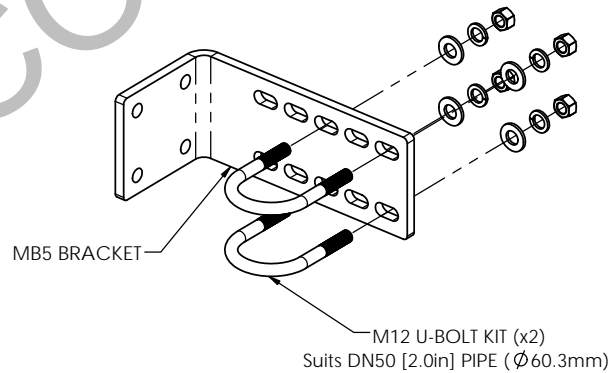


MBK2 DIMENSIONS
TO SUIT DN40 [1-1/2in] STANCHION

***NOTE:**
FINISH: SUPPLIED HOT-DIP GALVANISED
AND / OR ZINC ALUMINIUM
BOTH FINISHES ARE SUITABLE WITH
ALUMINIUM AND HOT-DIP GALVANISED PIPE

MBK5-50* BRACKET

WEIGHT (INCLUDES BRACKET AND FASTENERS) = 3.4 kg [7.48 lb]



MBK5 DIMENSIONS
(BOLTED TO STRUCTURE)

IEC



Scan Code with
QR Reader app for more
Swivelpole™ Solutions

maxis
PATENTED
PRODUCTS

www.maxisjoint.com

PATENTED
PRODUCTS

www.swivelpole.com

Swivelpole

This document is the property of and protected by copyright owned by Swivelpole Group Pty Ltd and or Exemplar Products Pty Ltd. The designs and other information embodied in this document comprise confidential information of Swivelpole Group Pty Ltd and or Exemplar Products Pty Ltd and form part of products covered by international patents and registered designs including US patent No 6957832 and US patent No 9945143. Unauthorised use, reproduction and disclosure are strictly prohibited. This document must not be removed from the premises of the licensed user of this document without Swivelpole Group Pty Ltd's and or Exemplar Products Pty Ltd's prior approval.

ALL DIMENSIONS ARE IN MILLIMETERS / INCHES		SERIES / CODE	PART NUMBER
		MBK	MBK2-5-50*
DRAWN BY	KM	DATE	12/3/20
CHECKED BY	RP	DATE	12/3/20
APPROVED BY	RP	DATE	12/3/20
THIRD ANGLE PROJECTION	⊕ - ⊖	SCALE	N.T.S.
TITLE			REV
Swivelpole™ Mounting Bracket Kit Typical Installation with Swivelpole™ S2-M1 Client - Bracket Detail			0
DRG No			A3
C-IEC-P-MBK2-5-50			