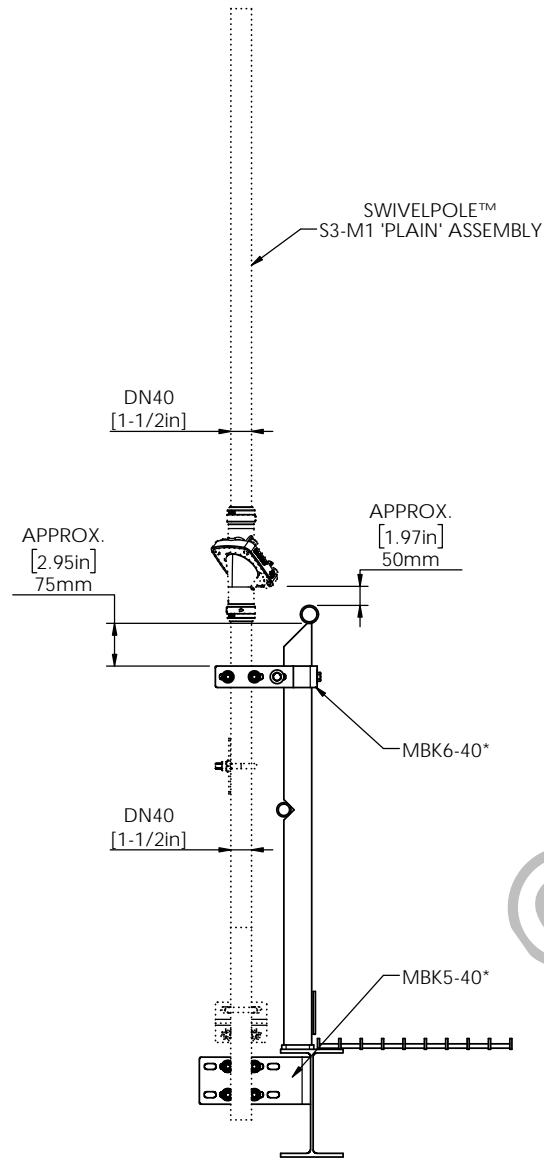


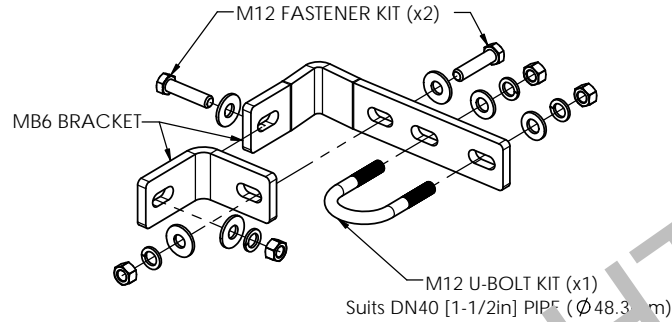
STRUCTURALLY CERTIFIED



MBK6-5-40*
TYPICAL ASSEMBLY

MBK6-40* BRACKET

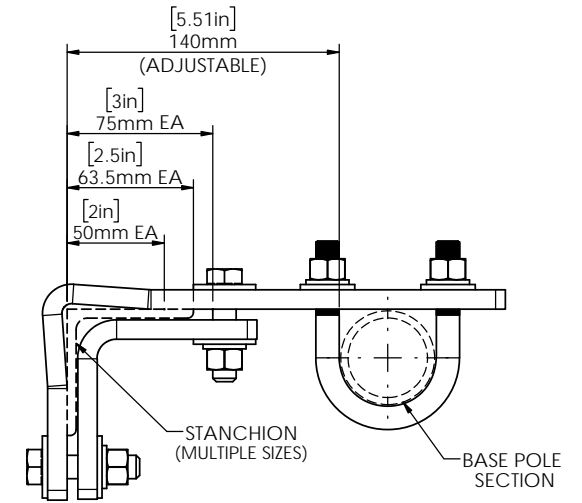
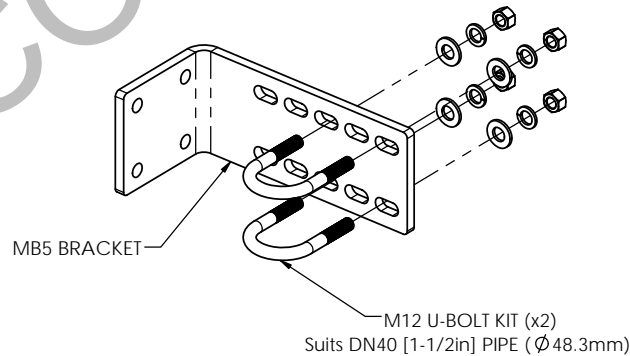
WEIGHT (INCLUDES BRACKET AND FASTENERS) = 2.2 kg [4.8 lb]



***NOTE:**
FINISH: SUPPLIED HOT-DIP GALVANISED AND / OR ZINC ALUMINIUM. BOTH FINISHES ARE SUITABLE WITH ALUMINIUM AND HOT-DIP GALVANISED PIPE

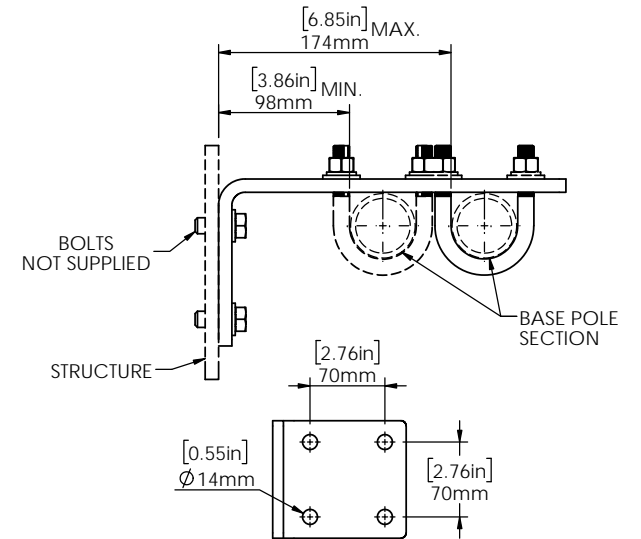
MBK5-40* BRACKET

WEIGHT (INCLUDES BRACKET AND FASTENERS) = 3.4 kg [7.37 lb]



MBK6 DIMENSIONS

TO SUIT 50mm [2in], 65mm [2-1/2in] AND 75mm [3in] EQUAL ANGLE STANCHION WITH FLANGE THICKNESS FROM 5mm [3/16in] TO 10mm [3/8in]



MBK5 DIMENSIONS (BOLTED TO STRUCTURE)

IEC



Scan Code with QR Reader app for more Swivelpole™ Solutions

maxis
PATENTED PRODUCTS

www.maxisjoint.com

PATENTED PRODUCTS

www.swivelpole.com

Swivelpole

This document is the property of and protected by copyright owned by Swivelpole Group Pty Ltd and/or Exemplar Products Pty Ltd. The designs and other information embodied in this document comprise confidential information of Swivelpole Group Pty Ltd and/or Exemplar Products Pty Ltd and form part of products covered by international patents and registered designs including US patent No 6957832 and US patent No 9945143. Unauthorised use, reproduction and disclosure are strictly prohibited. This document must not be removed from the premises of the licensed user of this document without Swivelpole Group Pty Ltd's and/or Exemplar Products Pty Ltd's prior approval.

ALL DIMENSIONS ARE IN MILLIMETERS / INCHES		SERIES / CODE	PART NUMBER
DRAWN BY	KM	DATE	12/3/20
CHECKED BY	RP	DATE	12/3/20
APPROVED BY	RP	DATE	12/3/20
THIRD ANGLE PROJECTION	⊕ - 1	SCALE	N.T.S.
		MBK	MBK6-5-40*
		TITLE	
		Swivelpole™ Mounting Bracket Kit	
		Typical Installation with Swivelpole™ S3-M1	
		Client - Bracket Detail	
		DRG No	C-IEC-MBK6-5-40
		REV	0
		A3	