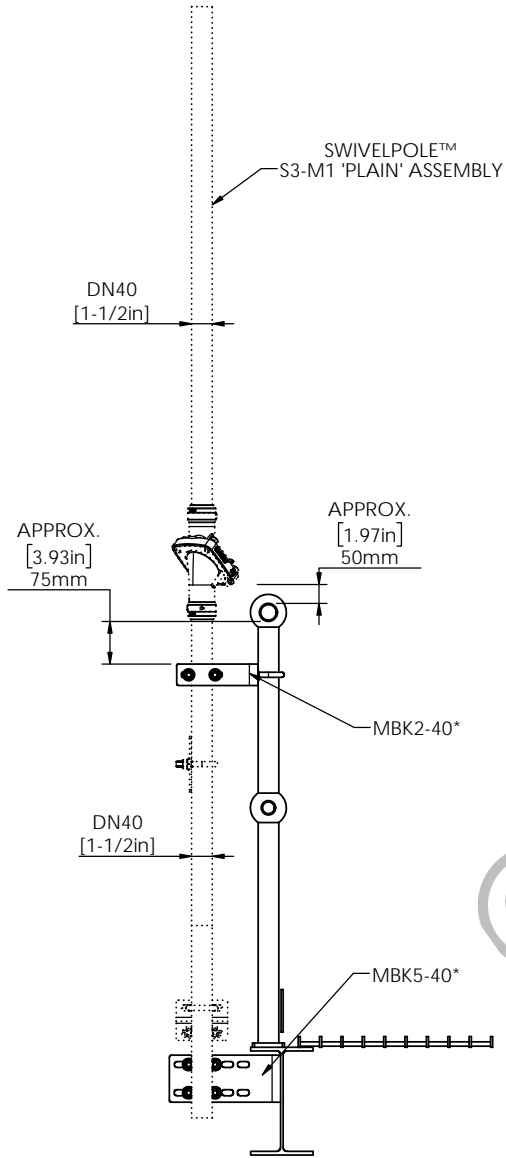


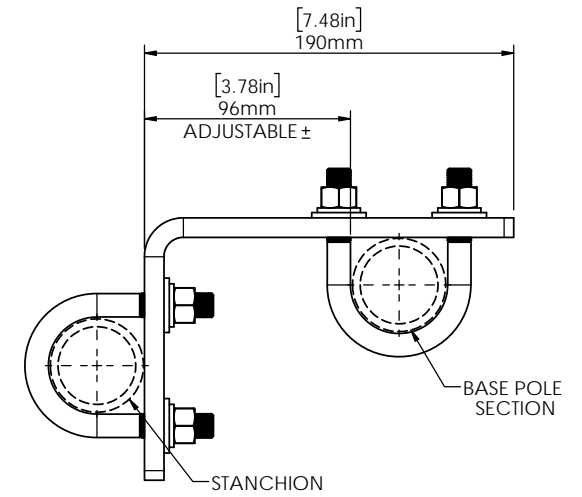
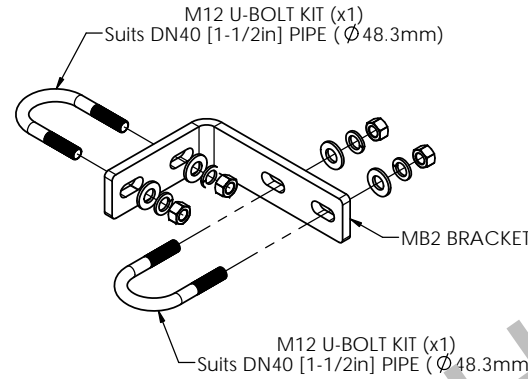
# STRUCTURALLY CERTIFIED



**MBK2-5-40\***  
TYPICAL ASSEMBLY

## MBK2-40\* BRACKET

WEIGHT (INCLUDES BRACKET AND FASTENERS) = 1.6 kg [3.52 lb]

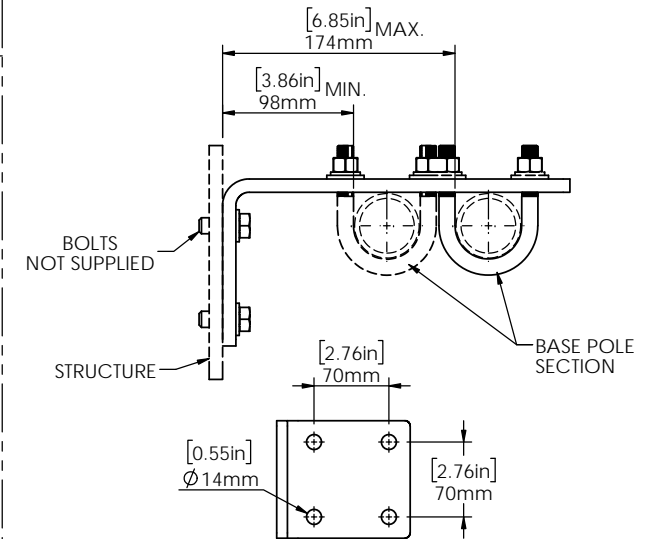
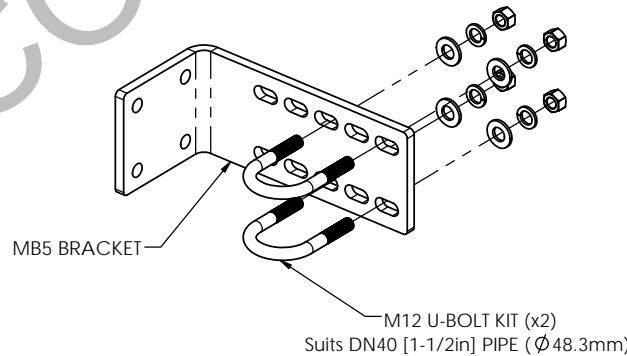


**MBK2 DIMENSIONS**  
TO SUIT DN40 [1-1/2in] STANCHION

**\*NOTE:**  
FINISH: SUPPLIED HOT-DIP GALVANISED  
AND / OR ZINC ALUMINIUM  
BOTH FINISHES ARE SUITABLE WITH  
ALUMINIUM AND HOT-DIP GALVANISED PIPE

## MBK5-40\* BRACKET

WEIGHT (INCLUDES BRACKET AND FASTENERS) = 3.4 kg [7.48 lb]



**MBK5 DIMENSIONS**  
(BOLTED TO STRUCTURE)



Scan Code with  
QR Reader app for more  
Swivelpole™ Solutions

**maxis**  
PATENTED  
PRODUCTS

[www.maxisjoint.com](http://www.maxisjoint.com)

**PATENTED**  
PRODUCTS

[www.swivelpole.com](http://www.swivelpole.com)

**swivelpole**

This document is the property of and protected by copyright owned by Swivelpole Group Pty Ltd and/or Exemplar Products Pty Ltd. The designs and other information embodied in this document comprise confidential information of Swivelpole Group Pty Ltd and/or Exemplar Products Pty Ltd and form part of products covered by international patents and registered designs including US patent No 6957832 and US patent No 9945143. Unauthorised use, reproduction and disclosure are strictly prohibited. This document must not be removed from the premises of the licensed user of this document without Swivelpole Group Pty Ltd's and/or Exemplar Products Pty Ltd's prior approval.

ALL DIMENSIONS ARE IN MILLIMETERS / INCHES		SERIES / CODE	PART NUMBER
		MBK	MBK2-5-40*
DRAWN BY	KM	DATE	12/3/20
CHECKED BY	RP	DATE	12/3/20
APPROVED BY	RP	DATE	12/3/20
THIRD ANGLE PROJECTION	⊕ - 1	SCALE	N.T.S.
TITLE			Swivelpole™ Mounting Bracket Kit Typical Installation with Swivelpole™ S3-M1 Client - Bracket Detail
DRG No			C-IEC-MBK2-5-40
REV			0
A3			

IEC