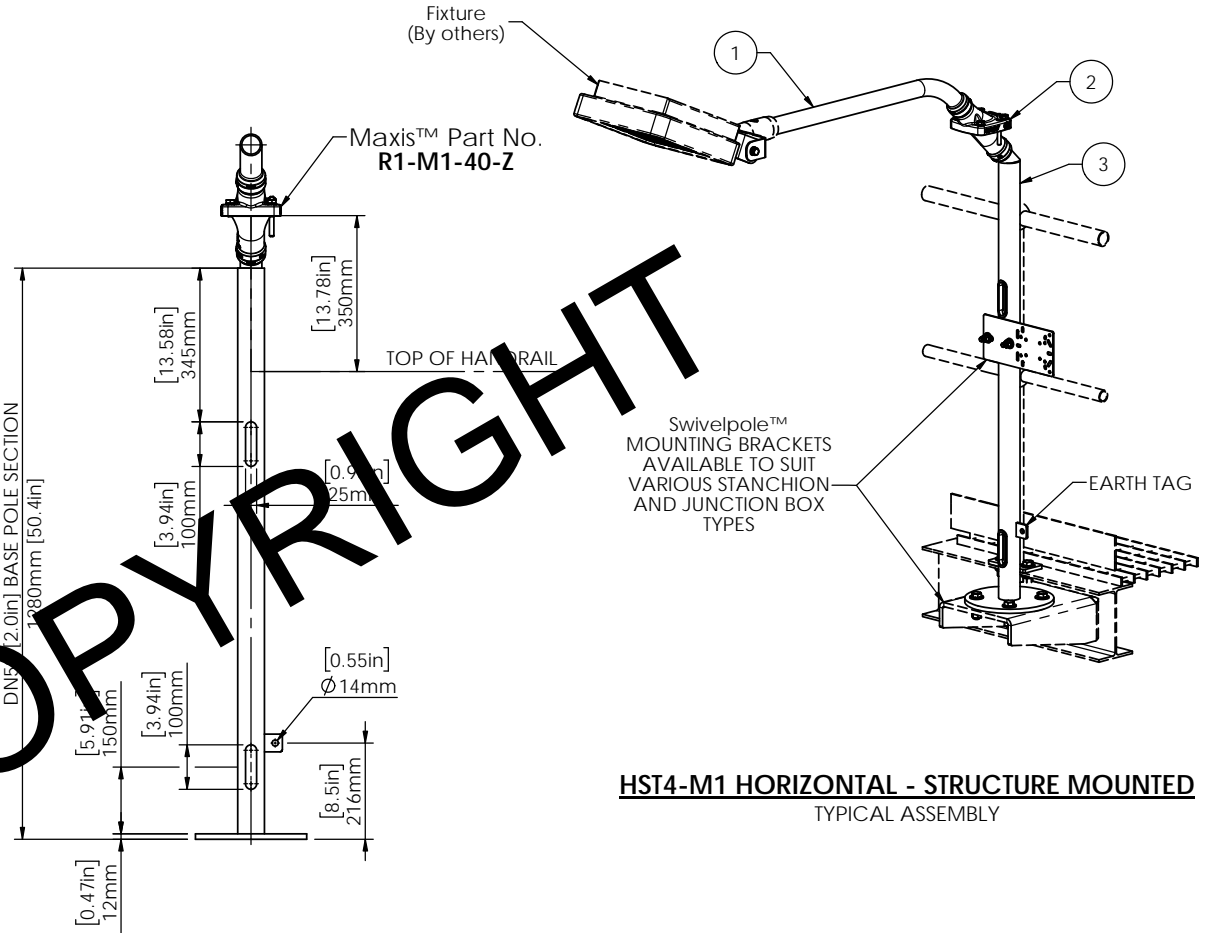
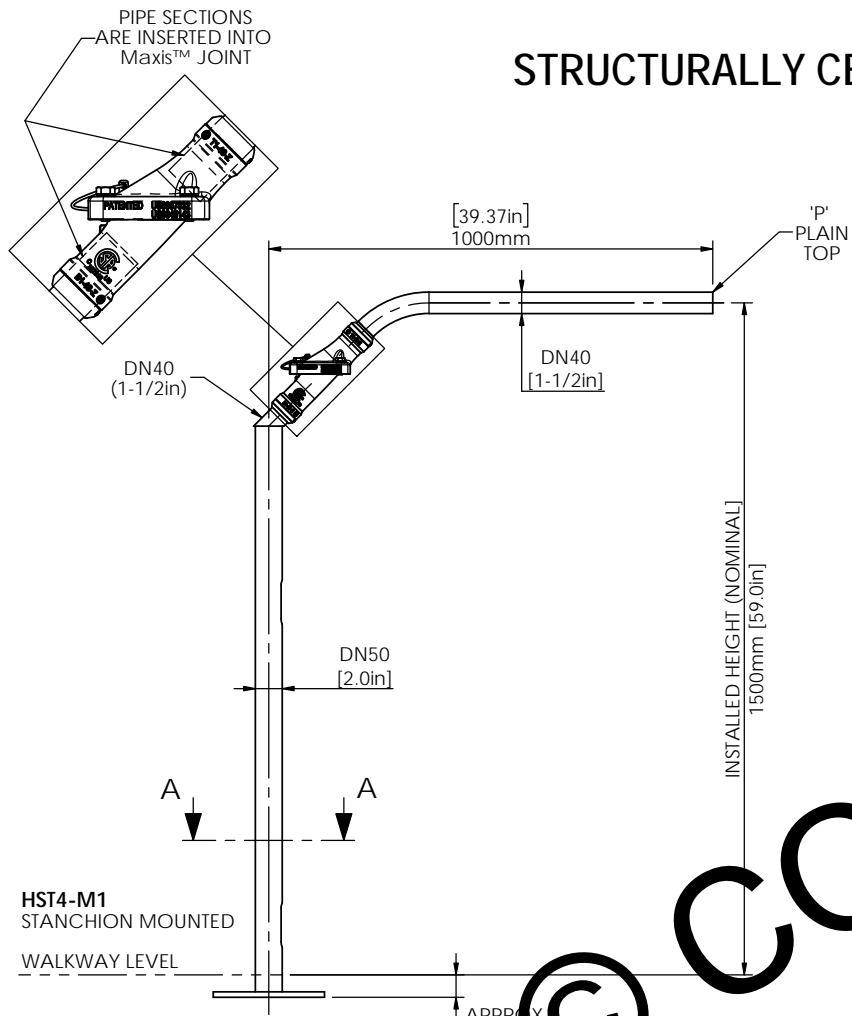


STRUCTURALLY CERTIFIED

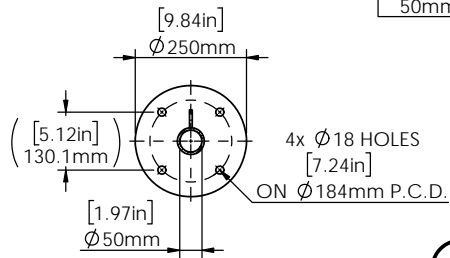
ITEM No.	QTY.	DESCRIPTION	MATERIAL OPTIONS
1	1	TOP POLE SECTION - PLAIN	STEEL / HOT DIP GALVANISED
2	1	Maxis™ M1 JOINT	STEEL / ZINC ALUMINIUM COATING
3	1	BASE POLE SECTION - SLOTTED - SUPPLIED WITH CABLE SLOT GROMMET	STEEL / HOT DIP GALVANISED



HST4-M1 HORIZONTAL - STRUCTURE MOUNTED
TYPICAL ASSEMBLY

Ordering Information: HOT-DIP GALVANISED

INSTALLED HEIGHT	PRODUCT CODE	WEIGHT
1500mm [5']	HST4-M1-1500-10-P-HG	21.8 kg (48.0 lb)



COPYRIGHT

IEC



Scan Code with QR Reader app for more Swivelpole™ - Maxis™ Product Information

maxis
PATENTED PRODUCTS

www.maxisjoint.com

PATENTED PRODUCTS

www.swivelpole.com

Swivelpole

This document is the property of and protected by copyright owned by Swivelpole Group Pty Ltd and/or Exemplar Products Pty Ltd. The designs and other information embodied in this document comprise confidential information of Swivelpole Group Pty Ltd and/or Exemplar Products Pty Ltd and form part of products covered by international patents and registered designs including US patent No 6957832 and US patent No 9945143. Unauthorised use, reproduction and disclosure are strictly prohibited. This document must not be removed from the premises of the licensed user of this document without Swivelpole Group Pty Ltd's and/or Exemplar Products Pty Ltd's prior approval.

ALL DIMENSIONS ARE IN MILLIMETERS / INCHES		SERIES / CODE	PART NUMBER
DRAWN BY: KM		HORIZ	As Noted
CHECKED BY: IR		DATE: 7/12/20	TITLE: Swivelpole™ HST4 - Maxis™ M1 Horizontal
APPROVED BY: RP		DATE: 7/12/20	DN50 BASE - Slotted with Spigot, DN40 TOP - Plain Pole Client Detail
THIRD ANGLE PROJECTION	SCALE: N.T.S.	DRG No: C-IEC-HST4-M1-1500-10-P-HG	REV: 0 A3