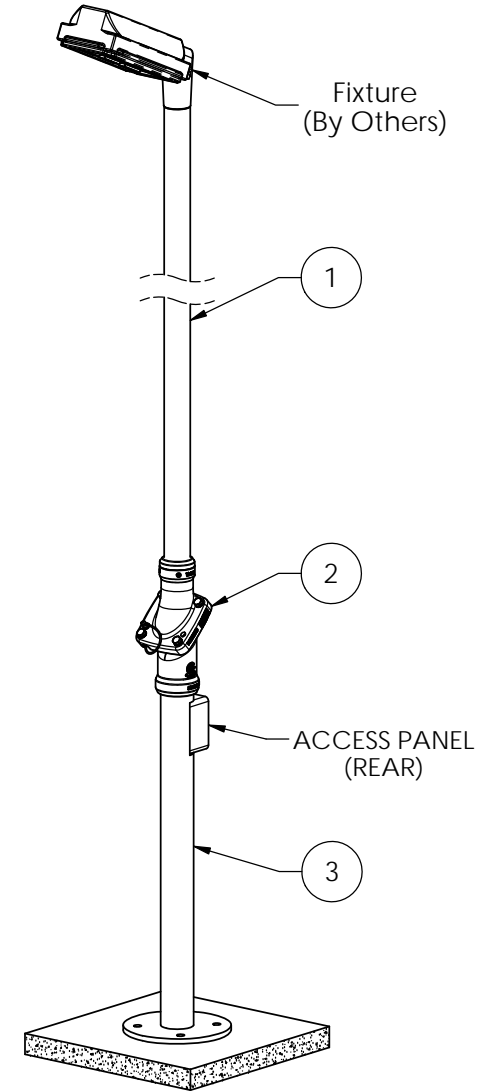
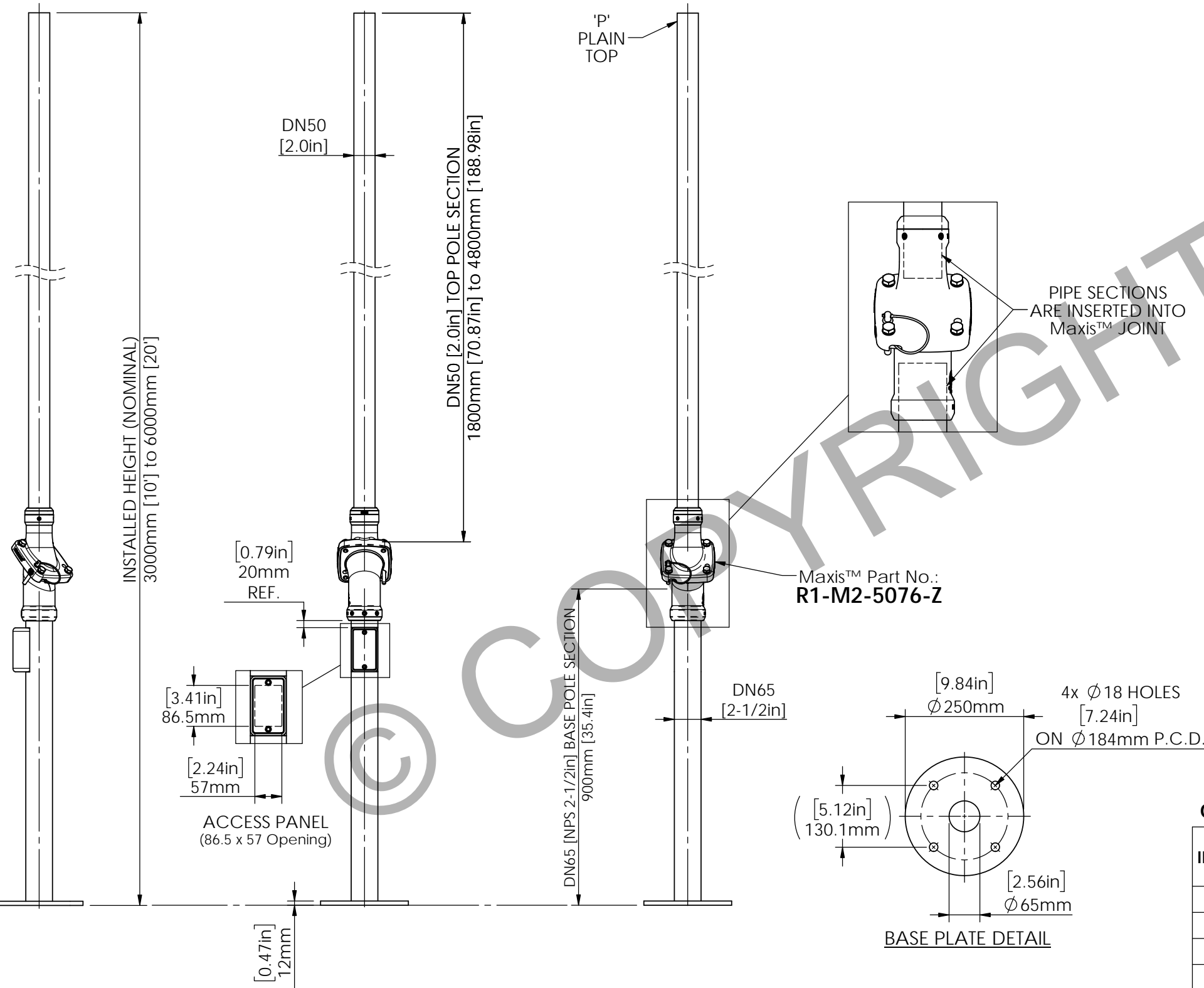


STRUCTURALLY CERTIFIED

ITEM No.	QTY.	DESCRIPTION	MATERIAL OPTIONS
1	1	TOP POLE SECTION - PLAIN	STEEL / HOT-DIP GALVANISED
2	1	Maxis™ M2 JOINT	STEEL / ZINC ALUMINIUM COATING
3	1	BASE POLE SECTION	STEEL / HOT-DIP GALVANISED



F7-M2 - FLOOR MOUNTED
TYPICAL ASSEMBLY

Ordering Information: HOT-DIP GALVANISED

INSTALLED HEIGHT	PRODUCT CODE	WEIGHT	MAX EQUIPMENT WEIGHT
3000mm [10']	F7-M2-3000-P-HG	24.4 kg (53.7 lb)	20.0 kg (44.0 lb)
4000mm [13']	F7-M2-4000-P-HG	28.5 kg (62.7 lb)	15.0 kg (33.0 lb)
5000mm [16.5']	F7-M2-5000-P-HG	32.6 kg (71.8 lb)	10.0 kg (22.0 lb)
6000mm [20']	F7-M2-6000-P-HG	36.7 kg (80.8 lb)	7.0 kg (15.4 lb)

F7-M2
FLOOR MOUNTED
WALKWAY LEVEL



Scan Code with QR Reader app for more Maxis™ Product Solutions

maxis
PATENTED
PRODUCTS

www.maxisjoint.com

PATENTED
PRODUCTS

www.swivelpole.com

Swivelpole

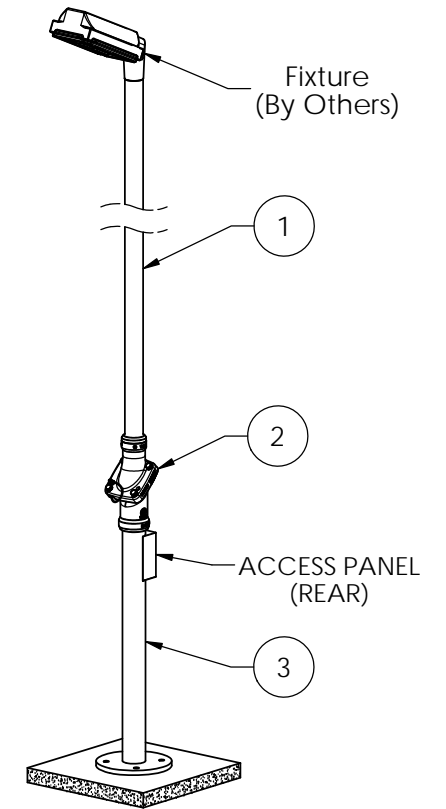
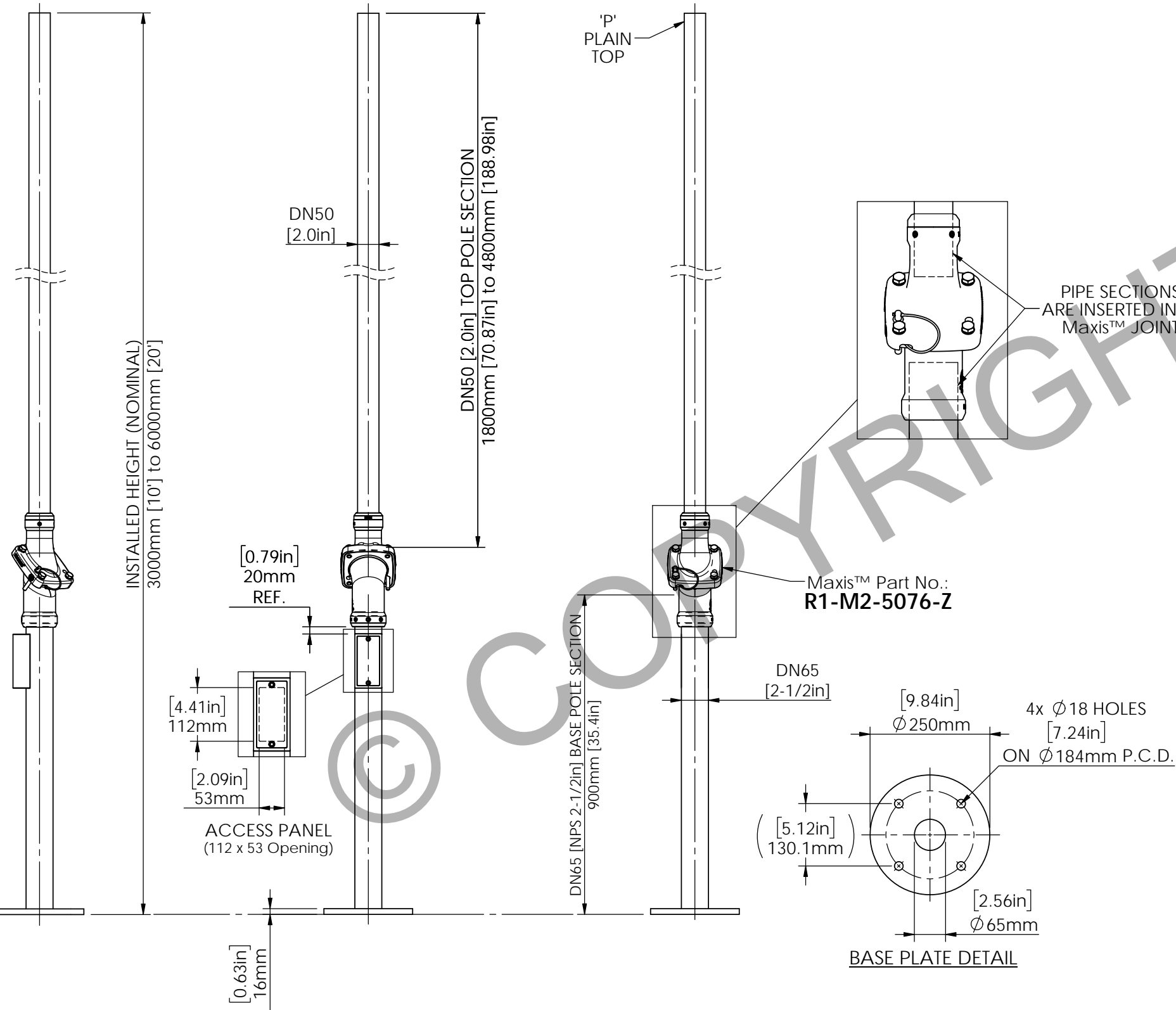
This document is the property of and protected by copyright owned by Swivelpole Group Pty Ltd and or Exemplar Products Pty Ltd. The designs and other information embodied in this document comprise confidential information of Swivelpole Group Pty Ltd and or Exemplar Products Pty Ltd and form part of products covered by international patents and registered designs including US patent No 6957832 and US patent No 9945143. Unauthorised use, reproduction and disclosure are strictly prohibited. This document must not be removed from the premises of the licensed user of this document without Swivelpole Group Pty Ltd's and or Exemplar Products Pty Ltd's prior approval.

ALL DIMENSIONS ARE IN MILLIMETERS / INCHES	SERIES / CODE	PART NUMBER
	F	As Noted
DRAWN BY: BP	DATE: 29/09/20	TITLE: Swivelpole™ F7 - Maxis™ M2 Base Section cw Access Panel - Top Section - PLAIN General Assembly
CHECKED BY: KM	DATE: 30/09/20	DRG No: C-IEC-F7-M2-6550-002-HG
APPROVED BY: AI	DATE: 30/09/20	REV: 1
THIRD ANGLE PROJECTION	SCALE: N.T.S.	A3

IEC

STRUCTURALLY CERTIFIED

ITEM No.	QTY.	DESCRIPTION	MATERIAL OPTIONS
1	1	TOP POLE SECTION - PLAIN	ALUMINIUM OR ALUMINIUM / ANODIZED
2	1	Maxis™ M2 JOINT	STEEL / ZINC ALUMINIUM COATING
3	1	BASE POLE SECTION	ALUMINIUM OR ALUMINIUM / ANODIZED



F7-M2 - FLOOR MOUNTED
TYPICAL ASSEMBLY

Ordering Information: ALUMINIUM

INSTALLED HEIGHT	PRODUCT CODE	WEIGHT	MAX EQUIPMENT WEIGHT
3000mm [10']	F7-M2-3000-P-AL	16.6 kg (36.5 lb)	20.0 kg (44.0 lb)
4000mm [13']	F7-M2-4000-P-AL	18.7 kg (41.2 lb)	15.0 kg (33.0 lb)
5000mm [16.5']	F7-M2-5000-P-AL	20.9 kg (46.0 lb)	10.0 kg (22.0 lb)
6000mm [20']	F7-M2-6000-P-AL	23.0 kg (50.6 lb)	7.0 kg (15.4 lb)

Ordering Information: ALUMINIUM / ANODIZED

INSTALLED HEIGHT	PRODUCT CODE	WEIGHT	MAX EQUIPMENT WEIGHT
3000mm [10']	F7-M2-3000-P-AL-AN	16.6 kg (36.5 lb)	20.0 kg (44.0 lb)
4000mm [13']	F7-M2-4000-P-AL-AN	18.7 kg (41.2 lb)	15.0 kg (33.0 lb)
5000mm [16.5']	F7-M2-5000-P-AL-AN	20.9 kg (46.0 lb)	10.0 kg (22.0 lb)
6000mm [20']	F7-M2-6000-P-AL-AN	23.0 kg (50.6 lb)	7.0 kg (15.4 lb)

F7-M2
FLOOR MOUNTED
WALKWAY LEVEL

IEC



Scan Code with QR Reader app for more Maxis™ Product Solutions

maxis™
PATENTED
PRODUCTS

www.maxisjoint.com

PATENTED
PRODUCTS

www.swivelpole.com

swivelpole™

This document is the property of and protected by copyright owned by Swivelpole Group Pty Ltd and or Exemplar Products Pty Ltd. The designs and other information embodied in this document comprise confidential information of Swivelpole Group Pty Ltd and or Exemplar Products Pty Ltd and form part of products covered by international patents and registered designs including US patent No 6957832 and US patent No 9945143. Unauthorised use, reproduction and disclosure are strictly prohibited. This document must not be removed from the premises of the licensed user of this document without Swivelpole Group Pty Ltd's and or Exemplar Products Pty Ltd's prior approval.

ALL DIMENSIONS ARE IN MILLIMETERS / INCHES	SERIES / CODE	PART NUMBER
	F	As Noted
DRAWN BY: BP	DATE: 29/09/20	TITLE: Swivelpole™ F7 - Maxis™ M2 Base Section cw Access Panel - Top Section - PLAIN General Assembly
CHECKED BY: KM	DATE: 30/09/20	
APPROVED BY: AI	DATE: 30/09/20	
THIRD ANGLE PROJECTION	SCALE: N.T.S.	DRG No: C-IEC-F7-M2-6550-002-(AL & AL ANODIZED) REV: 0 A3