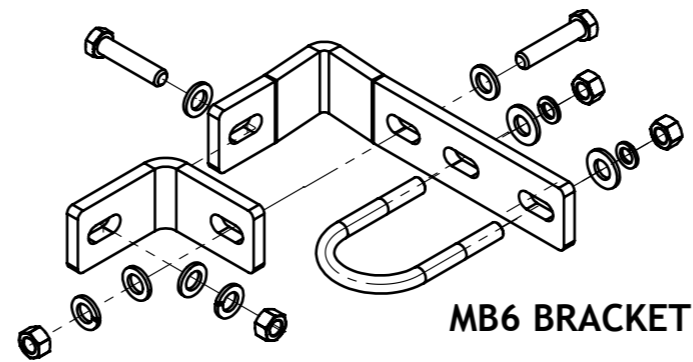


**MBK6-6-50-HG
TYPICAL INSTALLATION**

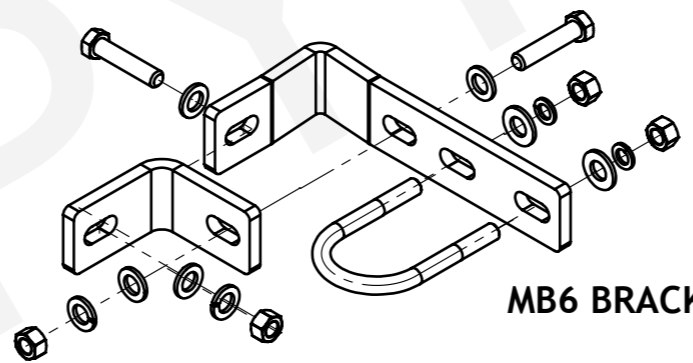
MBK6-50-HG

MBK6-50-HG



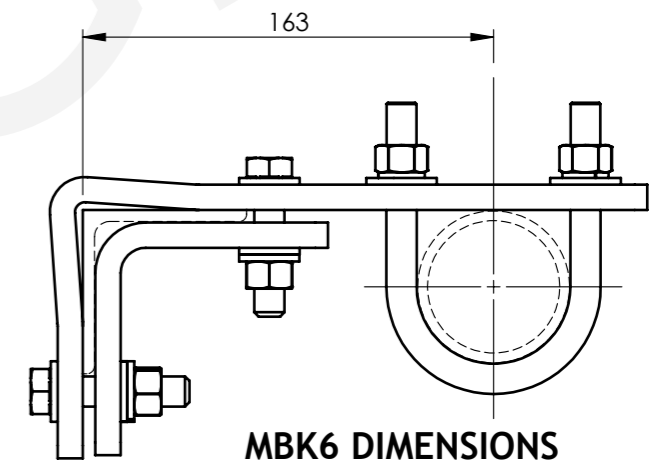
MB6 BRACKET

DN50 U-BOLT



MB6 BRACKET

DN50 U-BOLT



MBK6 DIMENSIONS

REV.	DESCRIPTION	DATE	APPROVED
1	NEW MB6 DESIGN	19-01-11	PP
0	ISSUED FOR MANUFACTURE	16-06-10	PP
REVISION HISTORY			

Swivelpole™

This document is the property of and protected by copyright owned by Safe Swivel Technology Pty Ltd (SST). The designs and other information embodied in this document comprise confidential information of SST and form part of products covered by international patents and registered designs including US patent No 6957832. Unauthorised use, reproduction and disclosure are strictly prohibited. This document must not be removed from the premises of the licensed user of this document without SST's prior approval.

ALL DIMENSIONS ARE IN MILLIMETERS	PROJECT SWIVELPOLE	SERIES / CODE MBK	PART NUMBER MBK6-6-50-HG
DRAWN BY AFFLATUS DESIGN	DATE 15-06-10	TITLE Swivelpole S11 Mounting Bracket Kit Typical installation Bracket detail	
CHECKED BY FB	DATE 16-06-10		
APPROVED BY PP	DATE 16-06-10		
THIRD ANGLE PROJECTION	SCALE 1:75	DRG No C-AU-MBK6-6-50-HG	REV 1 A3