

**PART NUMBER = LMK6101-40-DD-HG**

MATERIAL = Steel - HDG Finish

WEIGHT = 1.1 kg

SUPPLIED WITH PLASTIC CAP

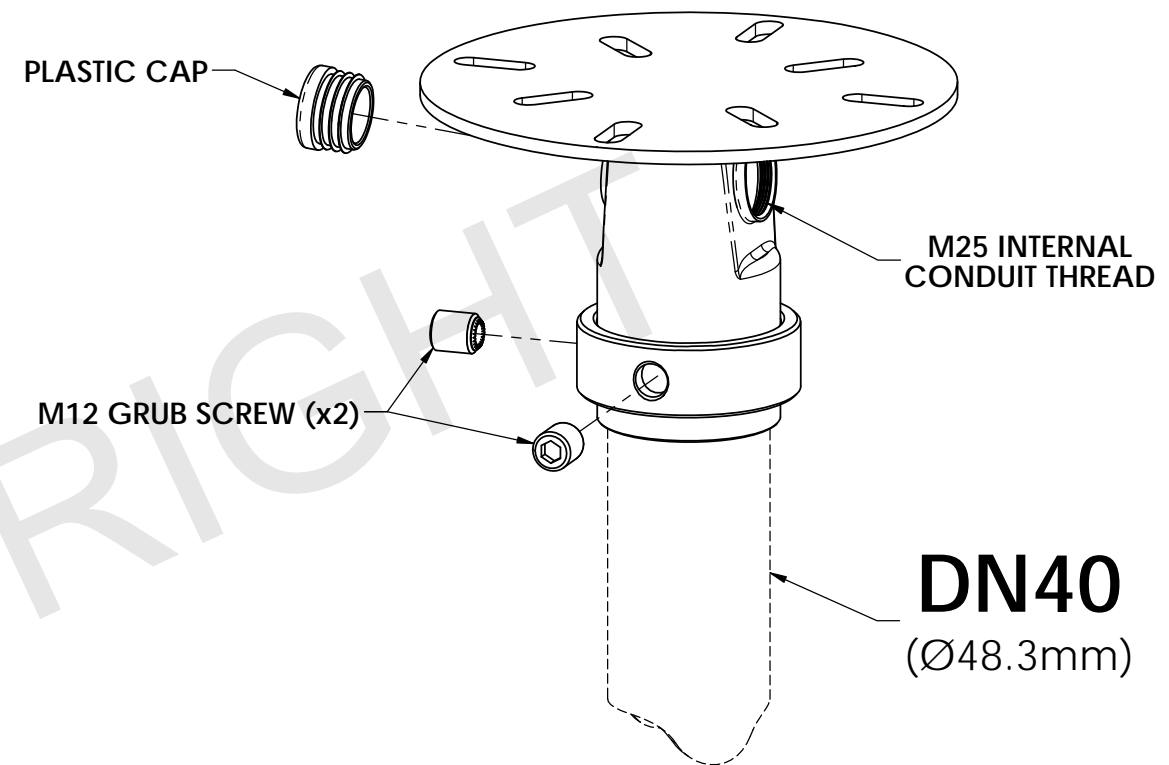
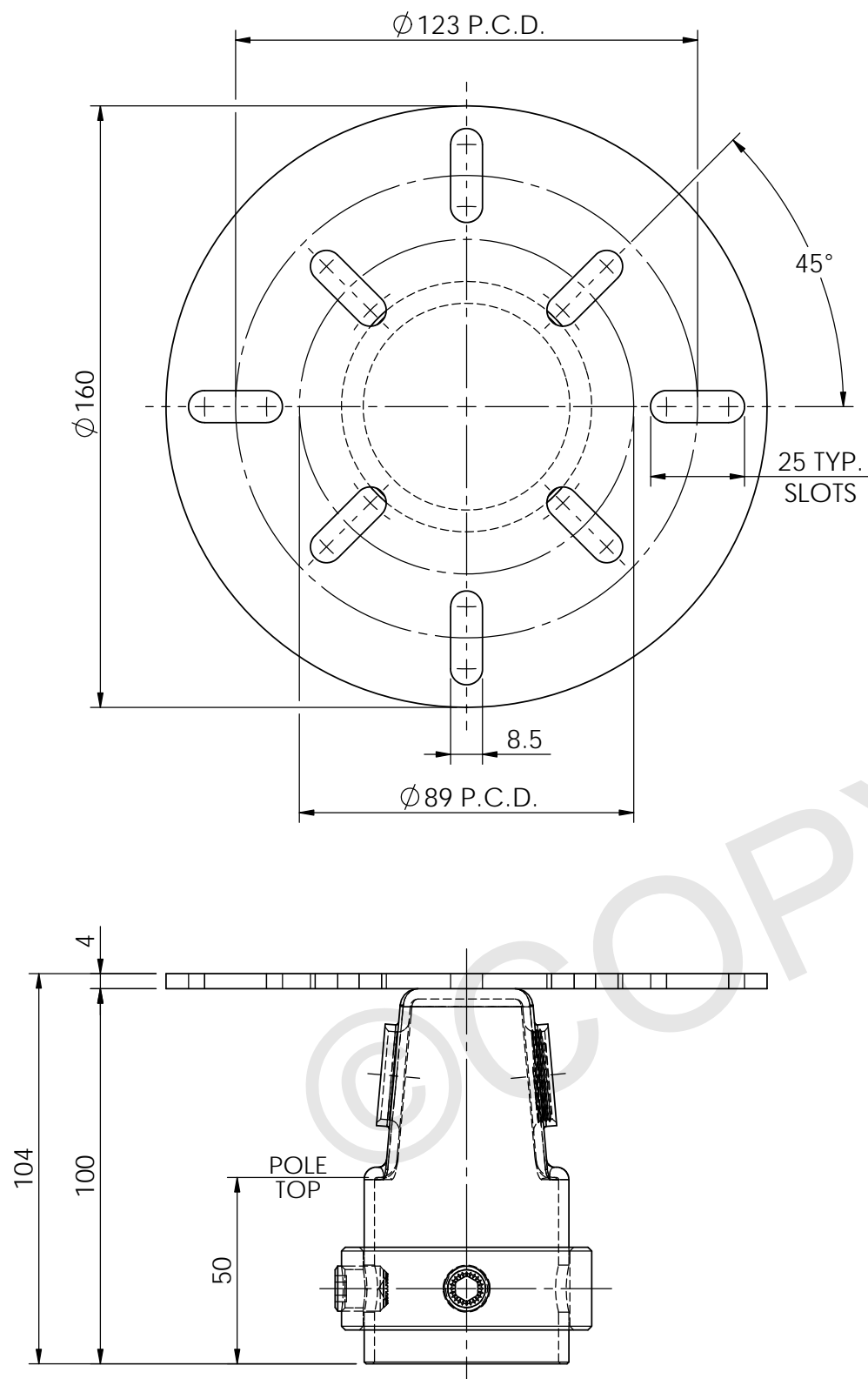


Scan Code with QR Reader app for more Swivelpole™ Light Mount Product Information

**PATENTED**  
PRODUCTS

[www.swivelpole.com](http://www.swivelpole.com)

This document is the property of and protected by copyright owned by Swivelpole Group Pty Ltd. The designs and other information embodied in this document comprise confidential information of Swivelpole Group Pty Ltd and form part of products covered by international patents and registered designs including US patent No 6957832. Unauthorised use, reproduction and disclosure are strictly prohibited. This document must not be removed from the premises of the licensed user of this document without Swivelpole Group Pty Ltd's prior approval.			
ALL DIMENSIONS ARE IN MILLIMETERS	PROJECT SWIVELPOLE™	SERIES / CODE LM	PART NUMBER LMK6101-40-DD-HG (RQ1717 - 22/11/21)
DRAWN BY BP	DATE 09/02/21	TITLE DN40 (Ø48.3mm) Luminaire Mount Signal / Multipurpose (bolt-on) Client Detail	
CHECKED BY KM	DATE 10/02/21		
APPROVED BY AI	DATE 11/02/21		
THIRD ANGLE PROJECTION	SCALE 1:1.75	DRG No C-AU-LMK6101-40-DD-HG	REV 1 A3



**PART NUMBER = LMK6101-40-DD-SS**

MATERIAL = 316 Stainless Steel

WEIGHT = 1.2 kg

SUPPLIED WITH PLASTIC CAP



Scan Code with QR Reader app for more Swivelpole™ Light Mount Product Information

**PATENTED**  
PRODUCTS

[www.swivelpole.com](http://www.swivelpole.com)

**Swivelpole™**

This document is the property of and protected by copyright owned by Swivelpole Group Pty Ltd. The designs and other information embodied in this document comprise confidential information of Swivelpole Group Pty Ltd and form part of products covered by international patents and registered designs including US patent No 6957832. Unauthorised use, reproduction and disclosure are strictly prohibited. This document must not be removed from the premises of the licensed user of this document without Swivelpole Group Pty Ltd's prior approval.

ALL DIMENSIONS ARE IN MILLIMETERS	PROJECT	SERIES / CODE	PART NUMBER
	SWIVELPOLE™	LM	LMK6101-40-DD-SS
DRAWN BY	BP	DATE	23/08/21
CHECKED BY	KM	DATE	24/08/21
APPROVED BY	AI	DATE	25/08/21
THIRD ANGLE PROJECTION	SCALE		DRG No
	1:1.75		C-AU-LMK6101-40-DD-SS
TITLE			REV
DN40 (Ø48.3mm) Luminaire Mount Signal / Multipurpose (bolt-on) Client Detail			0 A3