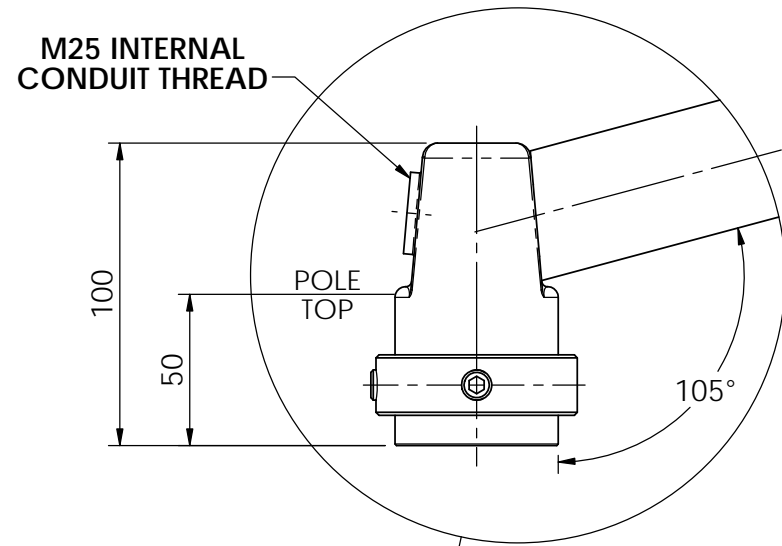




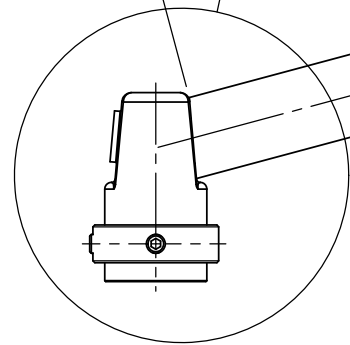
**PART NUMBER = LMK2301-40-DD-HG**

MATERIAL = Steel - HDG Finish

WEIGHT = 3.5 kg



**DETAIL A**  
SCALE 1 : 2.5



COPYRIGHT



Scan Code with QR Reader app for more Swivelpole™ Light Mount Product Information

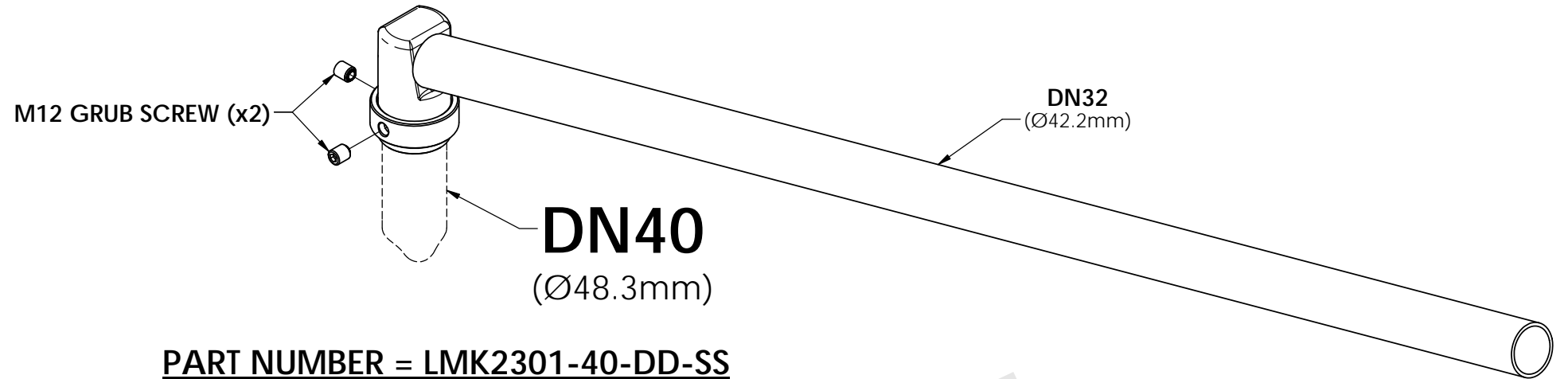
**PATENTED**  
PRODUCTS

[www.swivelpole.com](http://www.swivelpole.com)

**Swivelpole™**

This document is the property of and protected by copyright owned by Swivelpole Group Pty Ltd. The designs and other information embodied in this document comprise confidential information of Swivelpole Group Pty Ltd and form part of products covered by international patents and registered designs including US patent No 6957832. Unauthorised use, reproduction and disclosure are strictly prohibited. This document must not be removed from the premises of the licensed user of this document without Swivelpole Group Pty Ltd's prior approval.

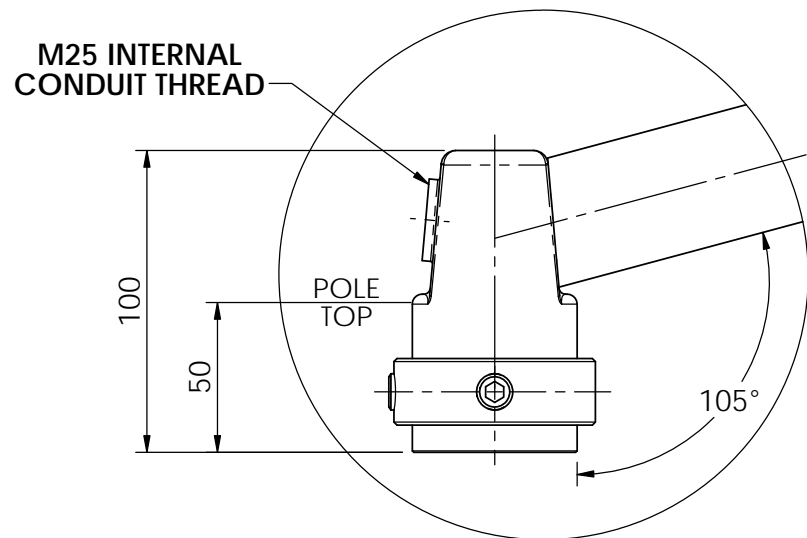
ALL DIMENSIONS ARE IN MILLIMETERS	PROJECT	SERIES / CODE	PART NUMBER	REV	DRG No
	SWIVELPOLE™	LM	LMK2301-40-DD-HG	2	A3
DRAWN BY	BP	DATE	11/08/20	TITLE DN40 [Ø48.3mm] Luminaire Mount End Entry - Fluorescent, LED, Other Client Detail	
CHECKED BY	KM	DATE	12/08/20		
APPROVED BY	AI	DATE	13/08/20		
THIRD ANGLE PROJECTION			SCALE	N.T.S.	C-AU-LMK2301-40-DD-HG



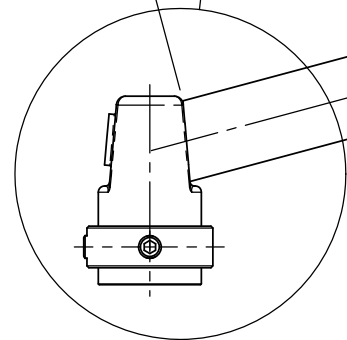
**PART NUMBER = LMK2301-40-DD-SS**

MATERIAL = 316 Stainless Steel

WEIGHT = 3.9 kg



**DETAIL A**  
SCALE 1 : 2.5



COPYRIGHT



Scan Code with  
QR Reader app for more  
Swivelpole™ Light Mount  
Product Information

**PATENTED**  
PRODUCTS

[www.swivelpole.com](http://www.swivelpole.com)

**Swivelpole™**

This document is the property of and protected by copyright owned by Swivelpole Group Pty Ltd. The designs and other information embodied in this document comprise confidential information of Swivelpole Group Pty Ltd and form part of products covered by international patents and registered designs including US patent No 6957832. Unauthorised use, reproduction and disclosure are strictly prohibited. This document must not be removed from the premises of the licensed user of this document without Swivelpole Group Pty Ltd's prior approval.

ALL DIMENSIONS ARE IN MILLIMETERS	PROJECT	SERIES / CODE	PART NUMBER
	SWIVELPOLE™	LM	LMK2301-40-DD-SS
DRAWN BY	BP	DATE	17/08/21
CHECKED BY	KM	DATE	18/08/21
APPROVED BY	AI	DATE	19/08/21
THIRD ANGLE PROJECTION	SCALE		N.T.S.
TITLE			DN40 [Ø48.3mm] Luminaire Mount End Entry - Fluorescent, LED, Other Client Detail
DRG No			C-AU-LMK2301-40-DD-SS
REV			0 A3