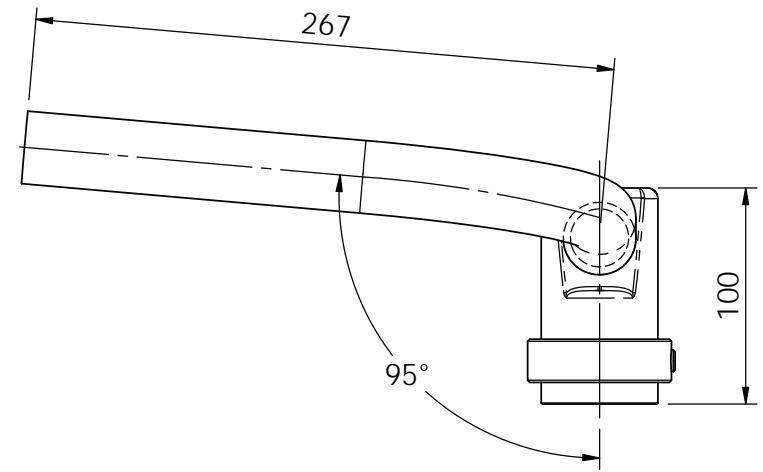
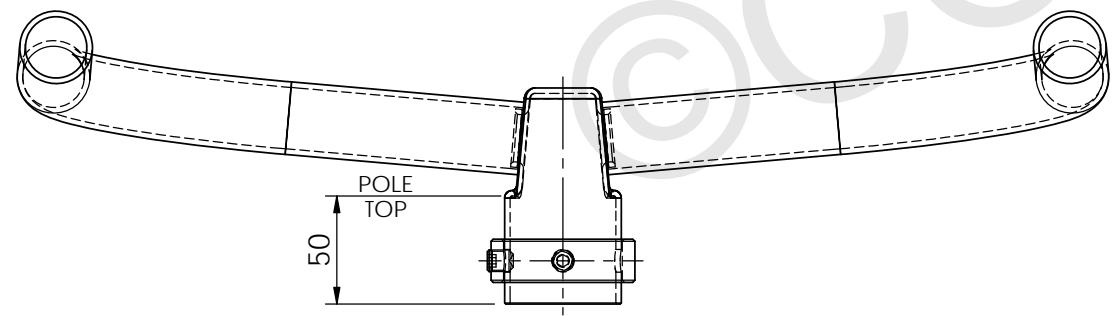


PART NUMBER = LMK1205-40-DD-HG
 MATERIAL = Steel - HDG Finish
 WEIGHT = 2.2 kg



Scan Code with QR Reader app for more Swivelpole™ Light Mount Product Information

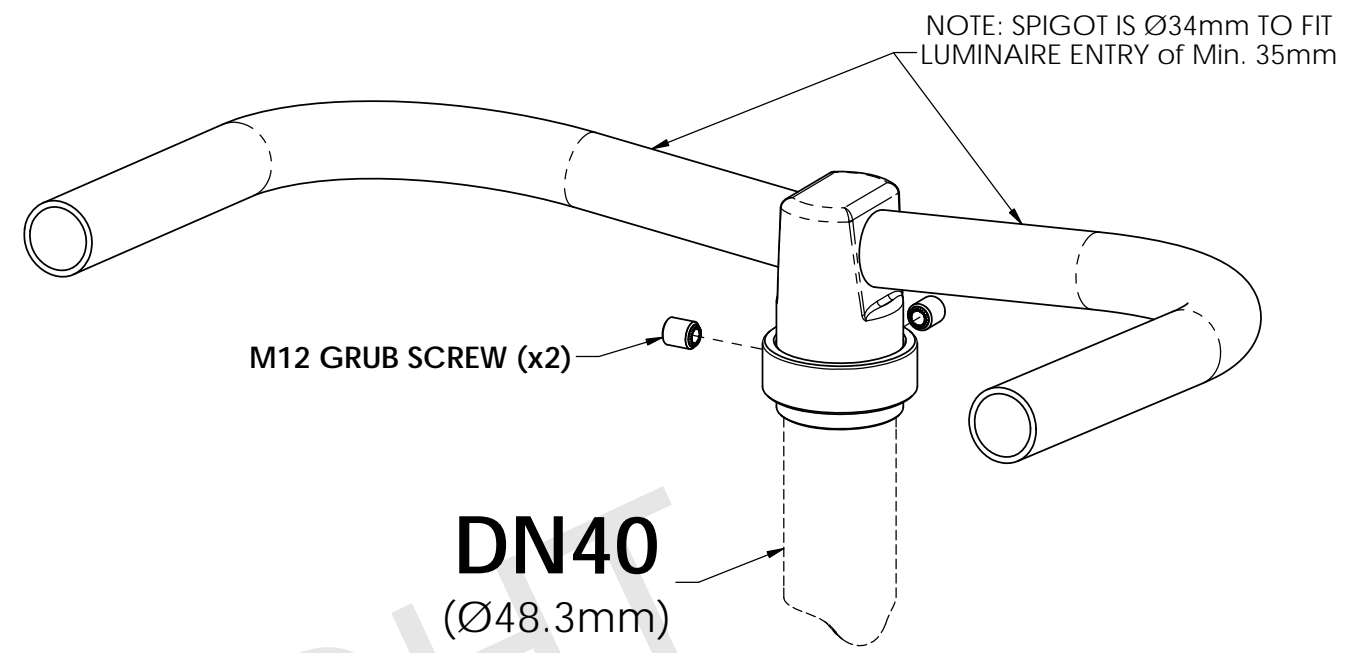
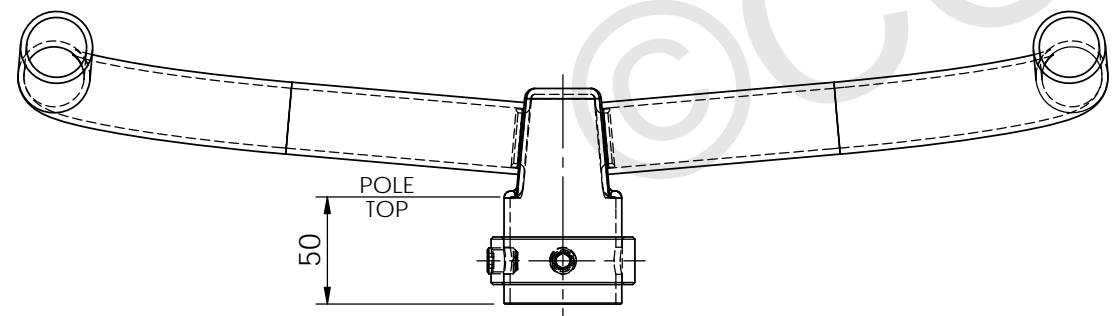
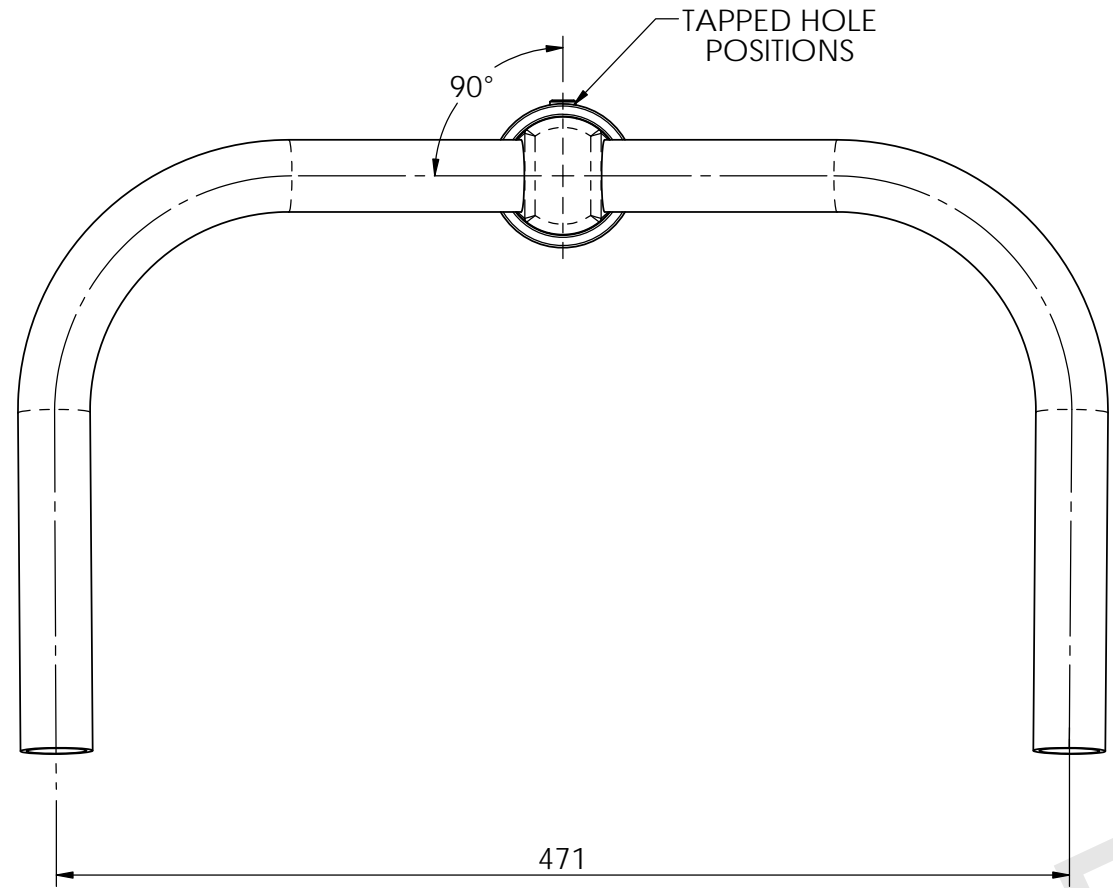
PATENTED
 PRODUCTS

www.swivelpole.com

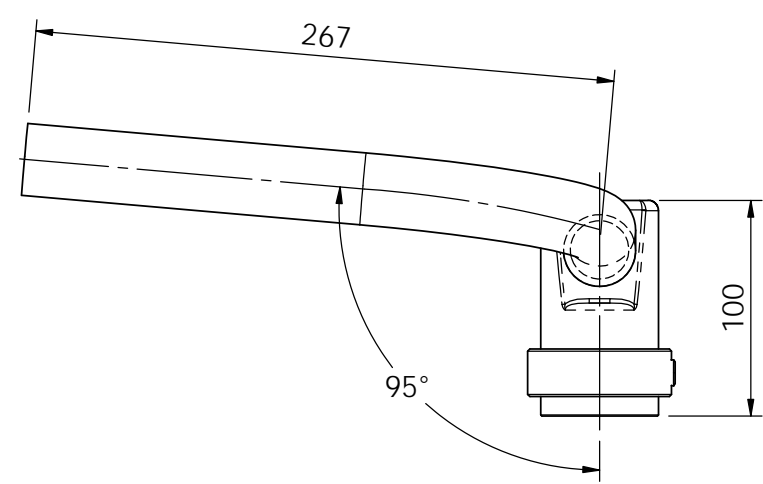
Swivelpole™

This document is the property of and protected by copyright owned by Swivelpole Group Pty Ltd. The designs and other information embodied in this document comprise confidential information of Swivelpole Group Pty Ltd and form part of products covered by international patents and registered designs including US patent No 6957832. Unauthorised use, reproduction and disclosure are strictly prohibited. This document must not be removed from the premises of the licensed user of this document without Swivelpole Group Pty Ltd's prior approval.

ALL DIMENSIONS ARE IN MILLIMETERS	PROJECT	SERIES / CODE	PART NUMBER
	SWIVELPOLE™	LM	LMK1205-40-DD-HG (RQ1717 - 22/11/21)
DRAWN BY	BP	DATE	10/08/20
CHECKED BY	KM	DATE	11/08/20
APPROVED BY	AI	DATE	12/08/20
THIRD ANGLE PROJECTION	SCALE		N.T.S.
TITLE			DN40 [Ø48.3mm] Luminaire Mount Twin End Entry - Fluorescent, LED, Other Client Detail
DRG No			C-AU-LMK1205-40-DD-HG
REV			1
A3			



PART NUMBER = LMK1205-40-DD-SS
 MATERIAL = 316 Stainless Steel
 WEIGHT = 2.4 kg



Scan Code with QR Reader app for more Swivelpole™ Light Mount Product Information

PATENTED
 PRODUCTS

www.swivelpole.com

This document is the property of and protected by copyright owned by Swivelpole Group Pty Ltd. The designs and other information embodied in this document comprise confidential information of Swivelpole Group Pty Ltd and form part of products covered by international patents and registered designs including US patent No 6957832. Unauthorised use, reproduction and disclosure are strictly prohibited. This document must not be removed from the premises of the licensed user of this document without Swivelpole Group Pty Ltd's prior approval.			
ALL DIMENSIONS ARE IN MILLIMETERS	PROJECT SWIVELPOLE™	SERIES / CODE LM	PART NUMBER LMK1205-40-DD-SS
DRAWN BY BP	DATE 16/08/21	TITLE DN40 [Ø48.3mm] Luminaire Mount Twin End Entry - Fluorescent, LED, Other Client Detail	
CHECKED BY KM	DATE 17/08/21	DRG No C-AU-LMK1205-40-DD-SS	
APPROVED BY AI	DATE 18/08/21		
THIRD ANGLE PROJECTION	SCALE N.T.S.	REV 0	A3