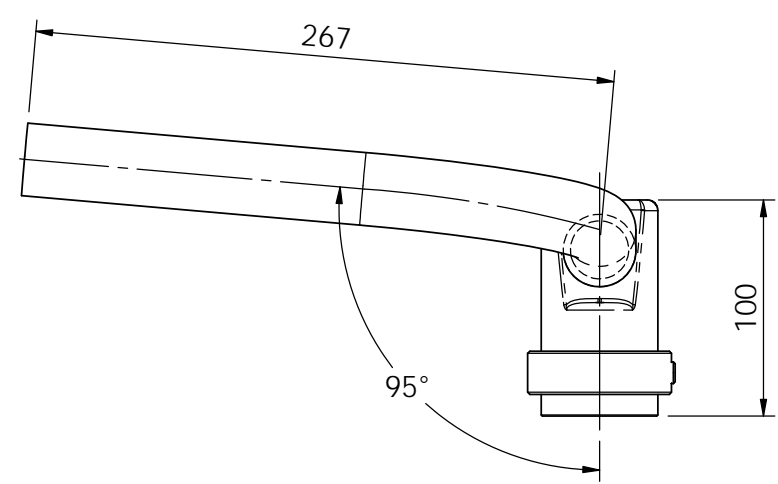
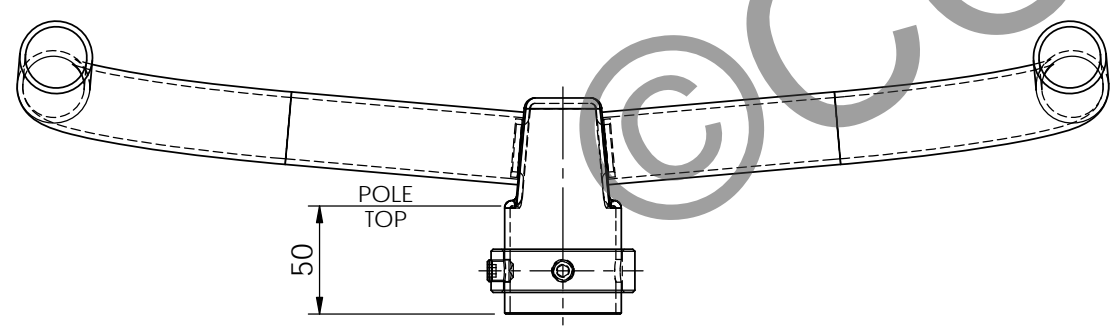


PART NUMBER = LMK1205-40-DD-HG

MATERIAL = Steel - HDG Finish

WEIGHT = 2.2 kg

SUPPLIED WITH 2 x M10 GRUB SCREWS



Scan Code with QR Reader app for more Swivelpole™ Light Mount Product Information

PATENTED PRODUCTS

www.swivelpole.com

This document is the property of and protected by copyright owned by Swivelpole Group Pty Ltd. The designs and other information embodied in this document comprise confidential information of Swivelpole Group Pty Ltd and form part of products covered by international patents and registered designs including US patent No 6957832. Unauthorised use, reproduction and disclosure are strictly prohibited. This document must not be removed from the premises of the licensed user of this document without Swivelpole Group Pty Ltd's prior approval.			
ALL DIMENSIONS ARE IN MILLIMETERS	PROJECT SWIVELPOLE™	SERIES / CODE LM	PART NUMBER LMK1205-40-DD-HG (TQ2275)
DRAWN BY BP	DATE 10/08/20	TITLE DN40 [Ø48.3mm] Luminaire Mount	
CHECKED BY KM	DATE 11/08/20	Twin End Entry - Fluorescent, LED, Other	
APPROVED BY AI	DATE 12/08/20	Client Detail	
THIRD ANGLE PROJECTION	SCALE N.T.S.	DRG No C-AU-LMK1205-40-DD-HG	REV 0 A3