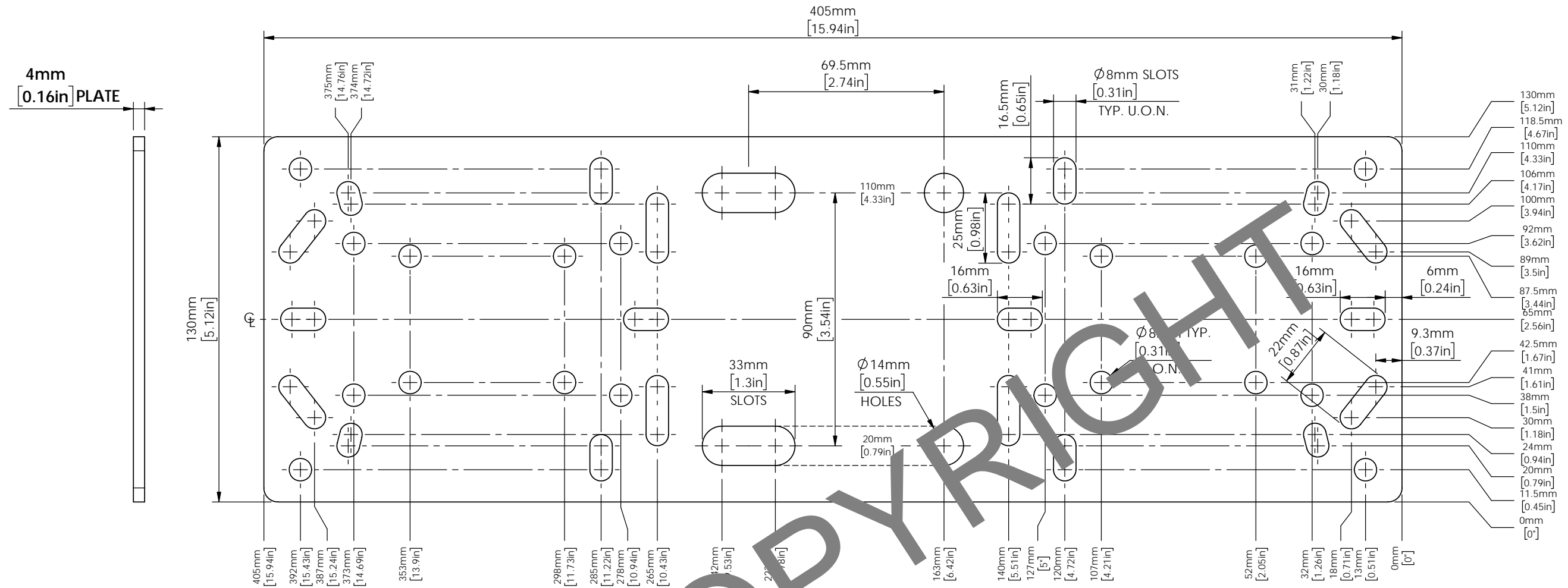


ITEM NO.	QTY.	PART NUMBER	DESCRIPTION	WEIGHT
1	1	JBP1201-HG	Junction Box Plate	1.5
2	2	M12-UBK40-ZF	DN40 U-Bolt Fastener Kit	0.2

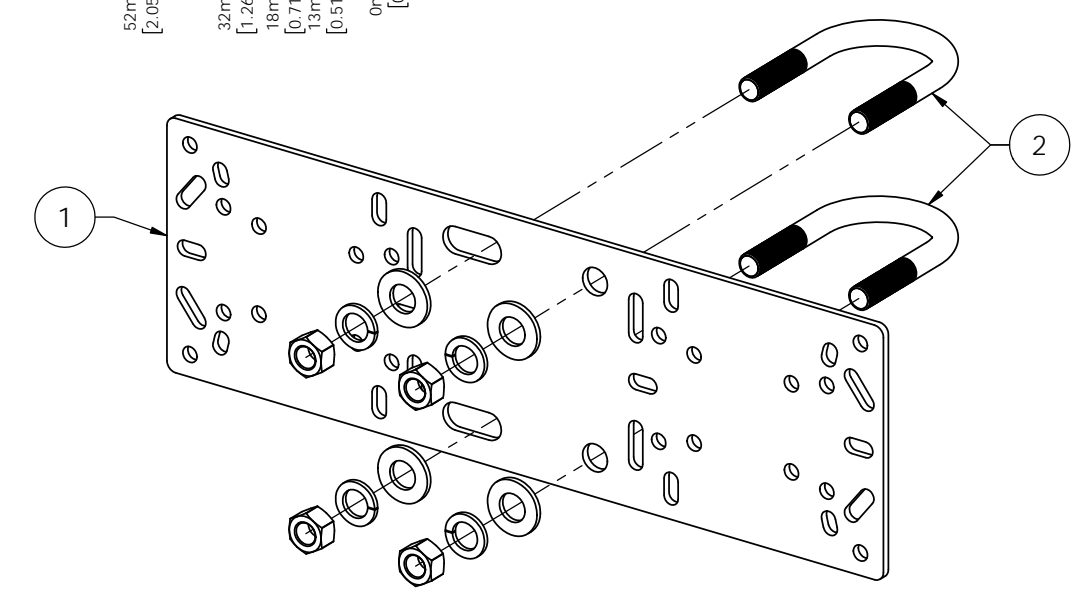


COPYRIGHT

PART No = JBPK1201-40-HG
 MATERIAL = STEEL / HOT-DIP GALVANISED COATING

WEIGHT = 2.0 kg [4.4 lb]

SUPPLIED WITH DN40 U-BOLTS & NUTS



EXPLODED ISO VIEW



Scan Code with QR Reader app for more Swivelpole™ Solutions

PATENTED PRODUCTS

www.swivelpole.com

Swivelpole™	This document is the property of and protected by copyright owned by Swivelpole Group Pty Ltd. The designs and other information embodied in this document comprise confidential information of Swivelpole Group Pty Ltd and form part of products covered by international patents and registered designs including US patent No 6957832. Unauthorised use, reproduction and disclosure are strictly prohibited. This document must not be removed from the premises of the licensed user of this document without Swivelpole Group Pty Ltd's prior approval.			
	ALL DIMENSIONS ARE IN MILLIMETERS	PROJECT SWIVELPOLE™	SERIES / CODE JBP	PART NUMBER JBPK1201-40-HG (RQ1652 - 01/04/21)
	DRAWN BY AD	DATE 15-06-10	TITLE Swivelpole™ Junction Box Plate Kit with DN40 U-Bolts Client Detail	
	CHECKED BY FB	DATE 16-06-10	DRG No C-AU-JBPK1201-40-HG	
APPROVED BY PP	DATE 16-06-10	SCALE 1:1.5	REV 3	A3
THIRD ANGLE PROJECTION				