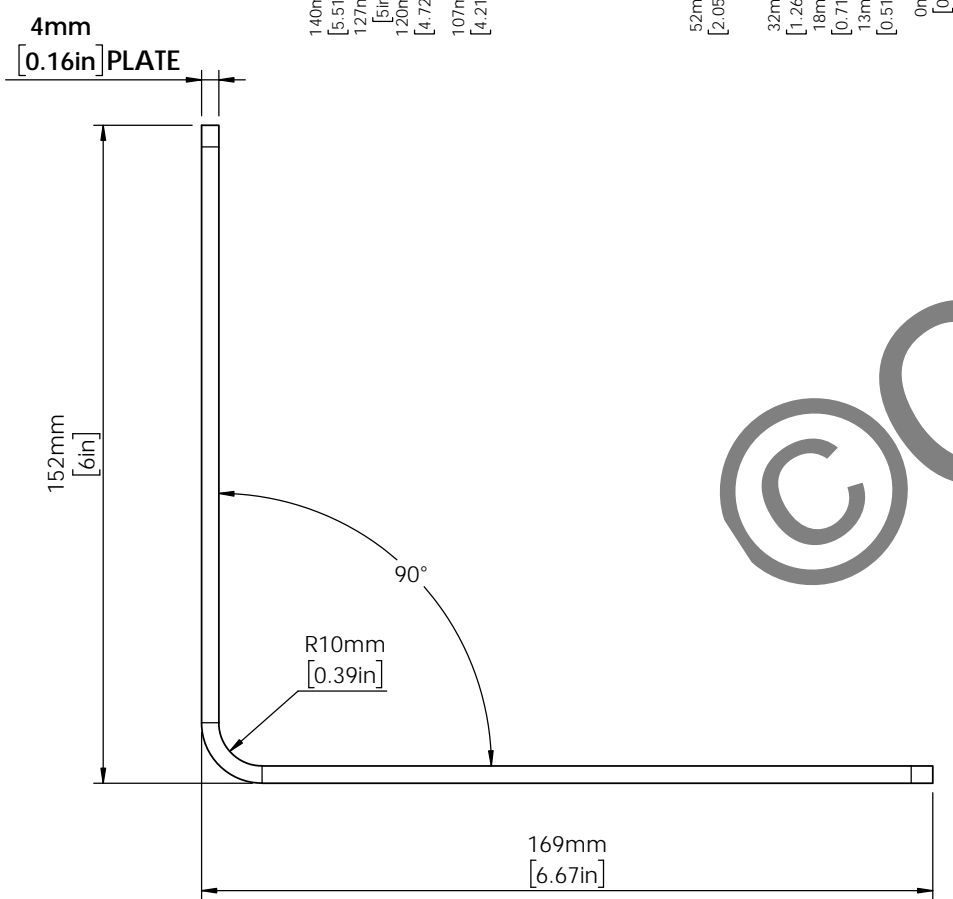
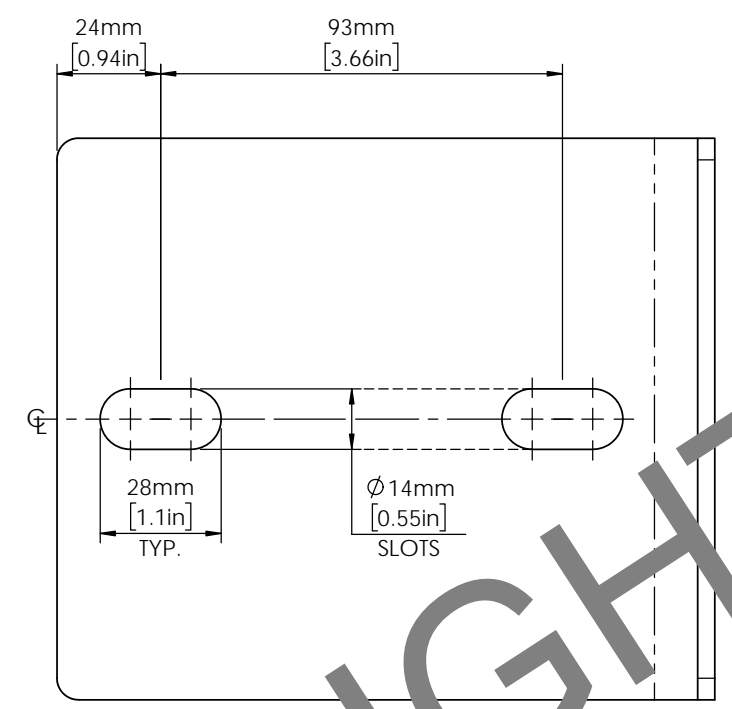
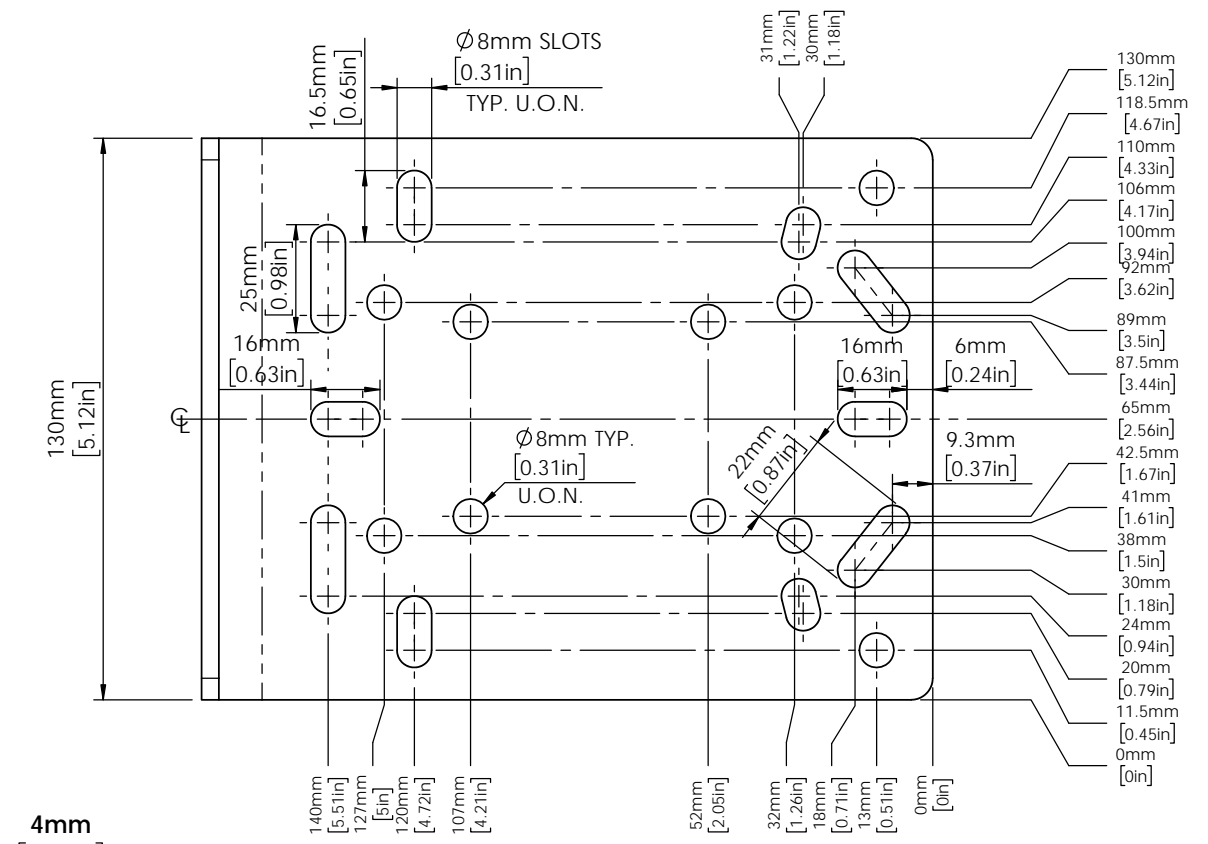
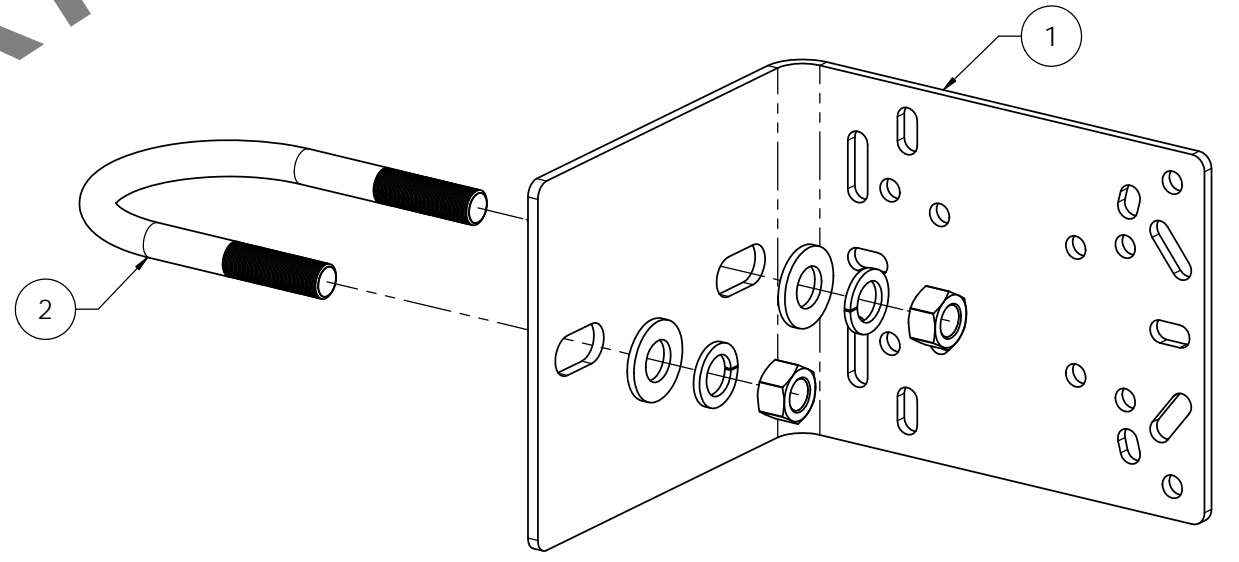



| ITEM NO. | QTY. | PART NUMBER | DESCRIPTION | WEIGHT |
|----------|------|---------------|--------------------------|--------|
| 1 | 1 | JBP1101-65-HG | Junction Box Plate | 1.2 |
| 2 | 1 | M12-UBK65-ZF | DN65 U-Bolt Fastener Kit | 0.3 |



COPYRIGHT



PART No = JBPK1101-65-HG
 MATERIAL = STEEL / HOT-DIP GALVANISED COATING
 WEIGHT = 1.5 kg [3.3 lb]
 SUPPLIED WITH DN65 U-BOLT & NUTS



Scan Code with QR Reader app for more Swivelpole™ Solutions

PATENTED
PRODUCTS

www.swivelpole.com

This document is the property of and protected by copyright owned by Swivelpole Group Pty Ltd. The designs and other information embodied in this document comprise confidential information of Swivelpole Group Pty Ltd and form part of products covered by international patents and registered designs including US patent No 6957832. Unauthorised use, reproduction and disclosure are strictly prohibited. This document must not be removed from the premises of the licensed user of this document without Swivelpole Group Pty Ltd's prior approval.

| | | | | |
|-----------------------------------|------------------------|---|-------------------------------|---------------------|
| ALL DIMENSIONS ARE IN MILLIMETERS | PROJECT SWIVELPOLE™ | SERIES / CODE JBPK | PART NUMBER JBPK1101-65-HG | (RQ1652 - 31/03/21) |
| DRAWN BY BP | DATE 19-09-11 | Swivelpole™ Junction Box Plate Kit with DN65 U-Bolt Client Detail | | |
| CHECKED BY PP | DATE 19-09-11 | | | |
| APPROVED BY PP | DATE 19-09-11 | | | |
| THIRD ANGLE PROJECTION | SCALE 1:1.75 | DRG No C-AU-JBPK1101-65-HG | REV 2 | A3 |