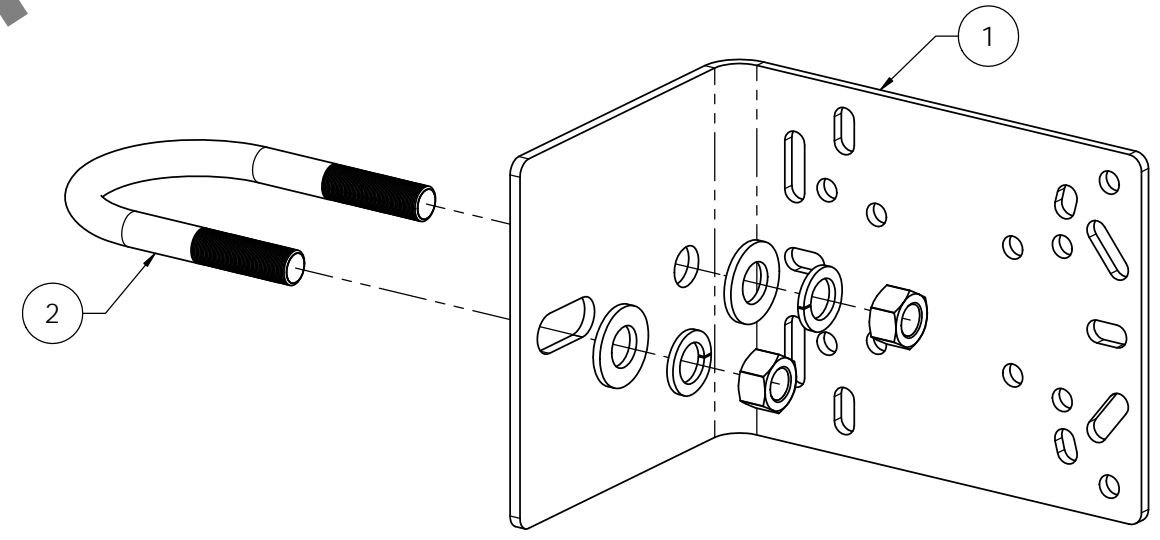
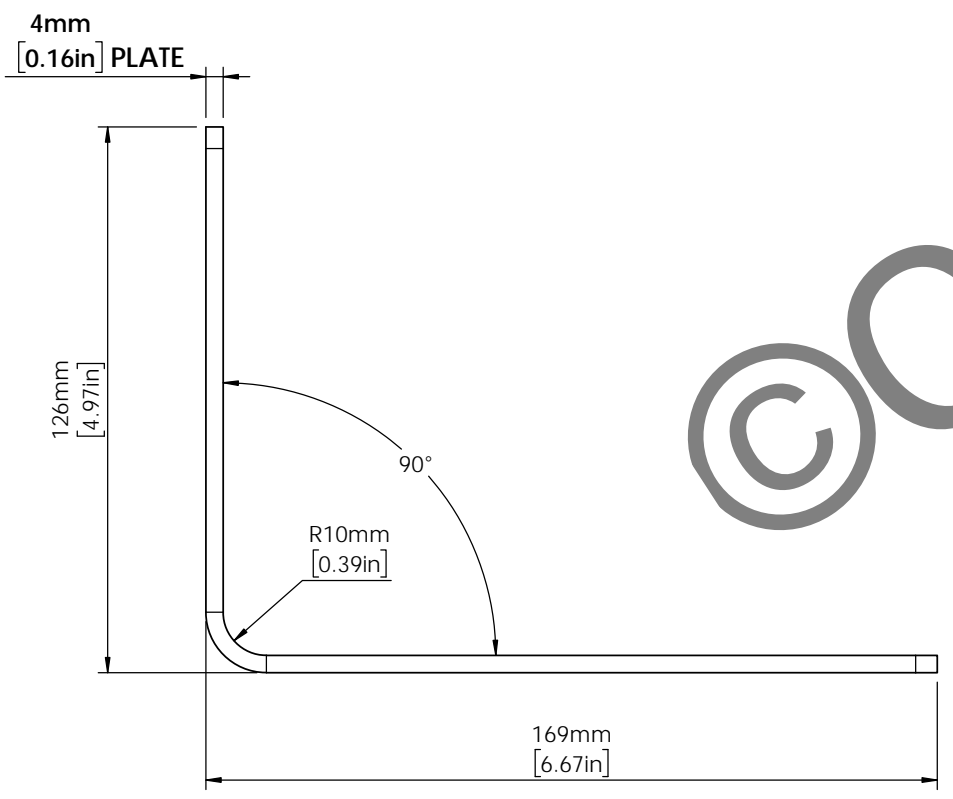
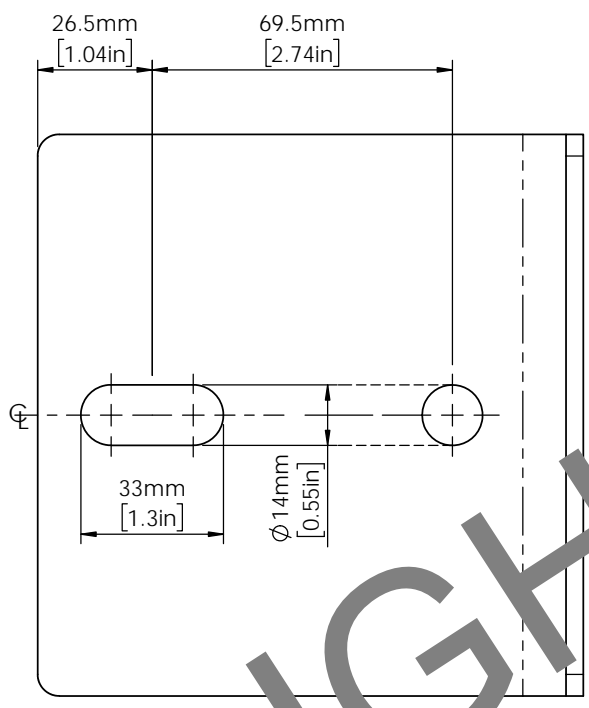
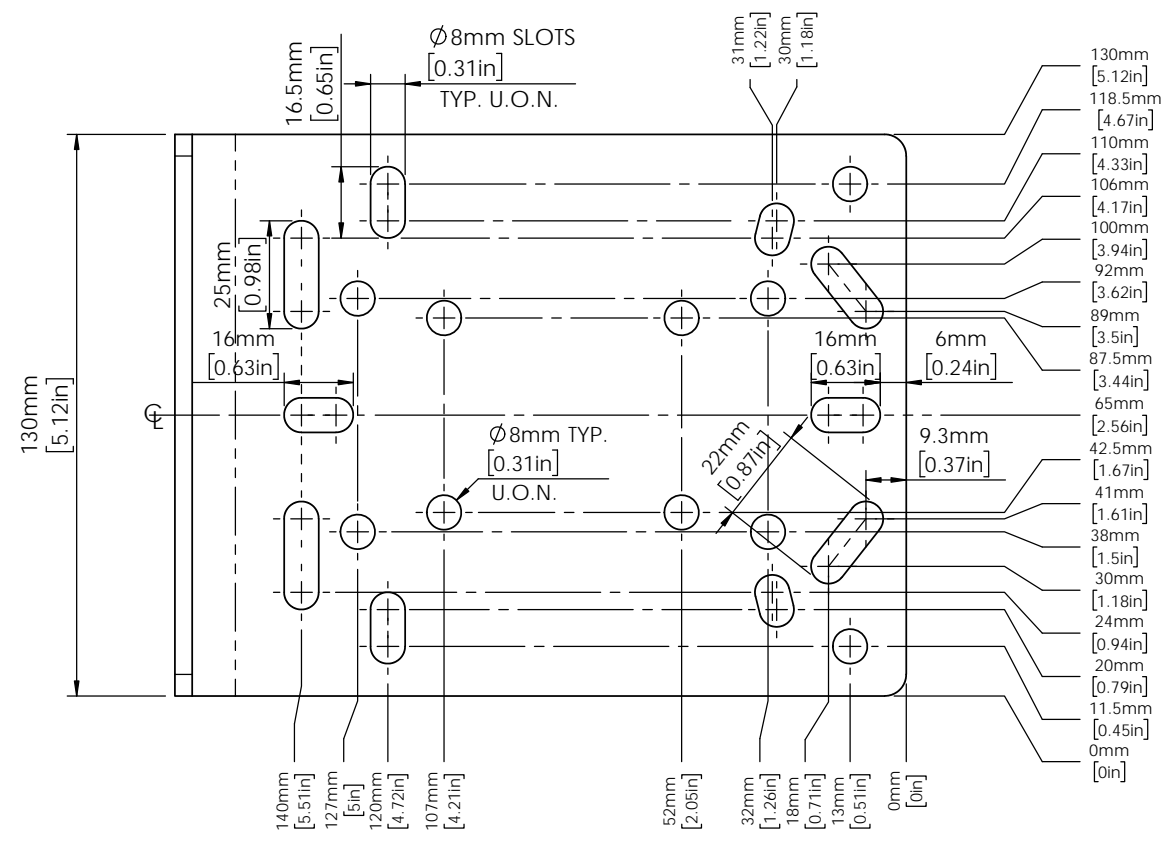


ITEM NO.	QTY.	PART NUMBER	DESCRIPTION	WEIGHT
1	1	JBP1101-HG	Junction Box Plate	1.1
2	1	M12-UBK50-ZF	DN50 U-Bolt Fastener Kit	0.3



COPYRIGHT

PART No = JBPK1101-50-HG
 MATERIAL = STEEL / HOT-DIP GALVANISED COATING

WEIGHT = 1.4 kg [3.08 lb]

SUPPLIED WITH DN50 U-BOLT & NUTS

EXPLODED ISO VIEW



Scan Code with QR Reader app for more Swivelpole™ Solutions

PATENTED
 PRODUCTS

www.swivelpole.com

Swivelpole™

This document is the property of and protected by copyright owned by Swivelpole Group Pty Ltd. The designs and other information embodied in this document comprise confidential information of Swivelpole Group Pty Ltd and form part of products covered by international patents and registered designs including US patent No 6957832. Unauthorised use, reproduction and disclosure are strictly prohibited. This document must not be removed from the premises of the licensed user of this document without Swivelpole Group Pty Ltd's prior approval.

ALL DIMENSIONS ARE IN MILLIMETERS	PROJECT	SERIES / CODE	PART NUMBER	REV	DRG No
	SWIVELPOLE™	JBPK	JBPK1101-50-HG	1	A3
DRAWN BY	BP	DATE	11-04-17	TITLE	
CHECKED BY	KM	DATE	11-04-17	Swivelpole™	
APPROVED BY	AI	DATE	11-04-17	Junction Box Plate Kit with DN50 U-Bolt	
THIRD ANGLE PROJECTION	SCALE		1:1.75	Client Detail	
					C-AU-JBPK1101-50-HG