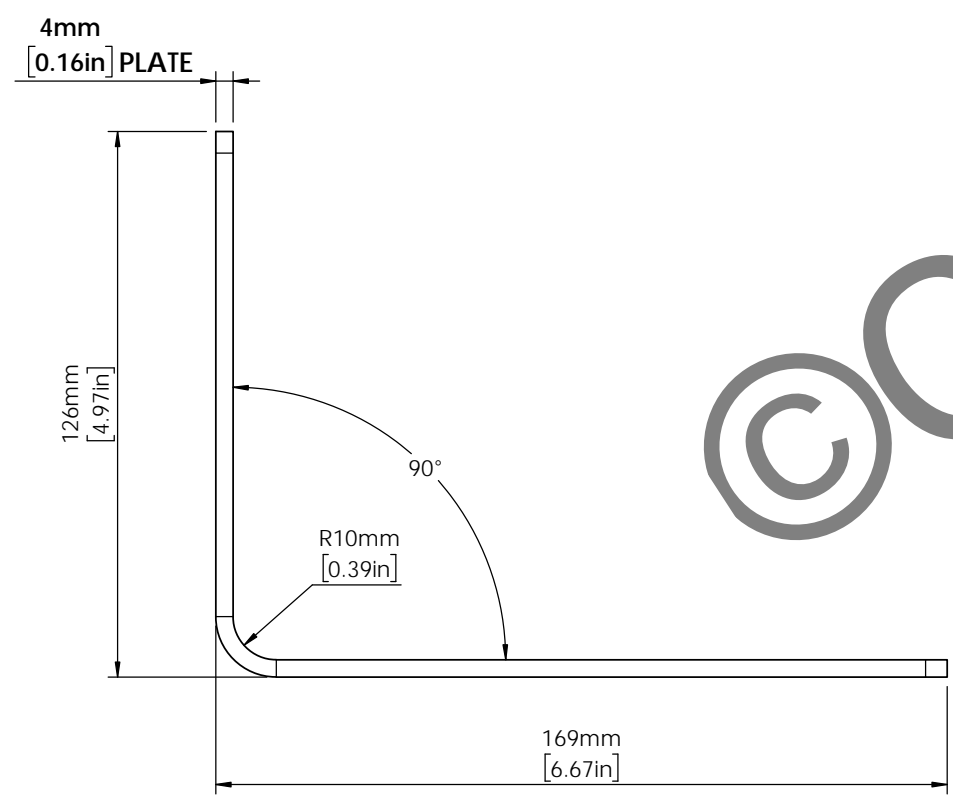
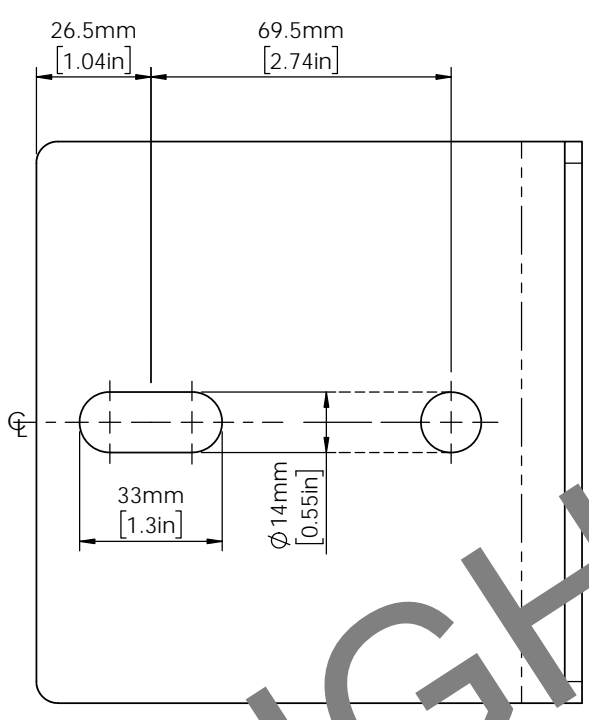
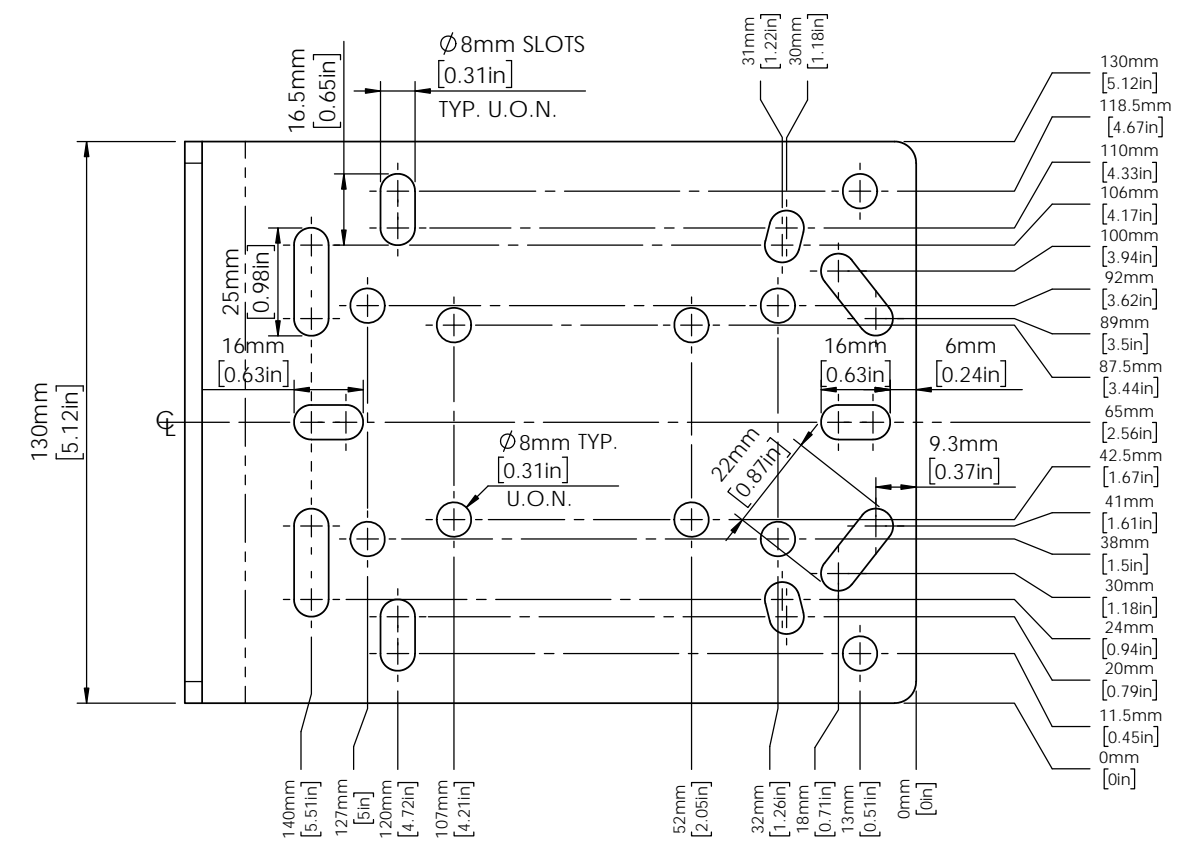
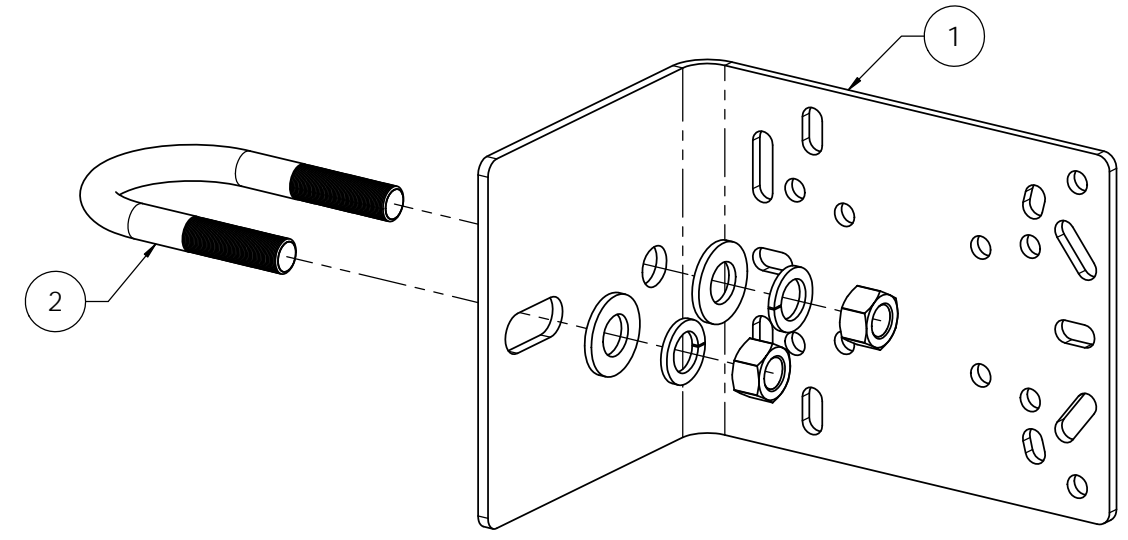


ITEM NO.	QTY.	PART NUMBER	DESCRIPTION	WEIGHT
1	1	JBP1101-HG	Junction Box Plate	1.1
2	1	M12-UBK40-ZF	DN40 U-Bolt Fastener Kit	0.2



COPYRIGHT



PART No = JBPK1101-40-HG
 MATERIAL = STEEL / HOT-DIP GALVANISED COATING

WEIGHT = 1.3 kg [2.86 lb]

SUPPLIED WITH DN40 U-BOLT & NUTS

EXPLODED ISO VIEW

Scan Code with QR Reader app for more Swivelpole™ Solutions

PATENTED PRODUCTS

www.swivelpole.com

<small>This document is the property of and protected by copyright owned by Swivelpole Group Pty Ltd. The designs and other information embodied in this document comprise confidential information of Swivelpole Group Pty Ltd and form part of products covered by international patents and registered designs including US patent No 6957832. Unauthorised use, reproduction and disclosure are strictly prohibited. This document must not be removed from the premises of the licensed user of this document without Swivelpole Group Pty Ltd's prior approval.</small>			
<small>ALL DIMENSIONS ARE IN MILLIMETERS/INCHES</small> PROJECT SWIVELPOLE™	<small>SERIES / CODE</small> JBPK	<small>PART NUMBER</small> JBPK1101-40-HG	<small>(RQ1652 - 30/03/21)</small>
<small>DRAWN BY</small> BP	<small>DATE</small> 11-04-17	<small>TITLE</small> Swivelpole™ Junction Box Plate Kit with DN40 U-Bolt Client Detail	
<small>CHECKED BY</small> KM	<small>DATE</small> 11-04-17		
<small>APPROVED BY</small> AI	<small>DATE</small> 11-04-17		
<small>THIRD ANGLE PROJECTION</small> 	<small>SCALE</small> 1:1.75	<small>DRG No</small> C-AU-JBPK1101-40-HG	<small>REV</small> 1
			<small>WEIGHT</small> A3