

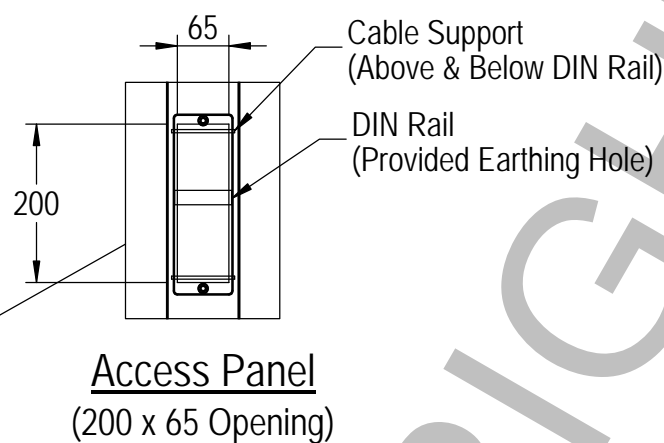
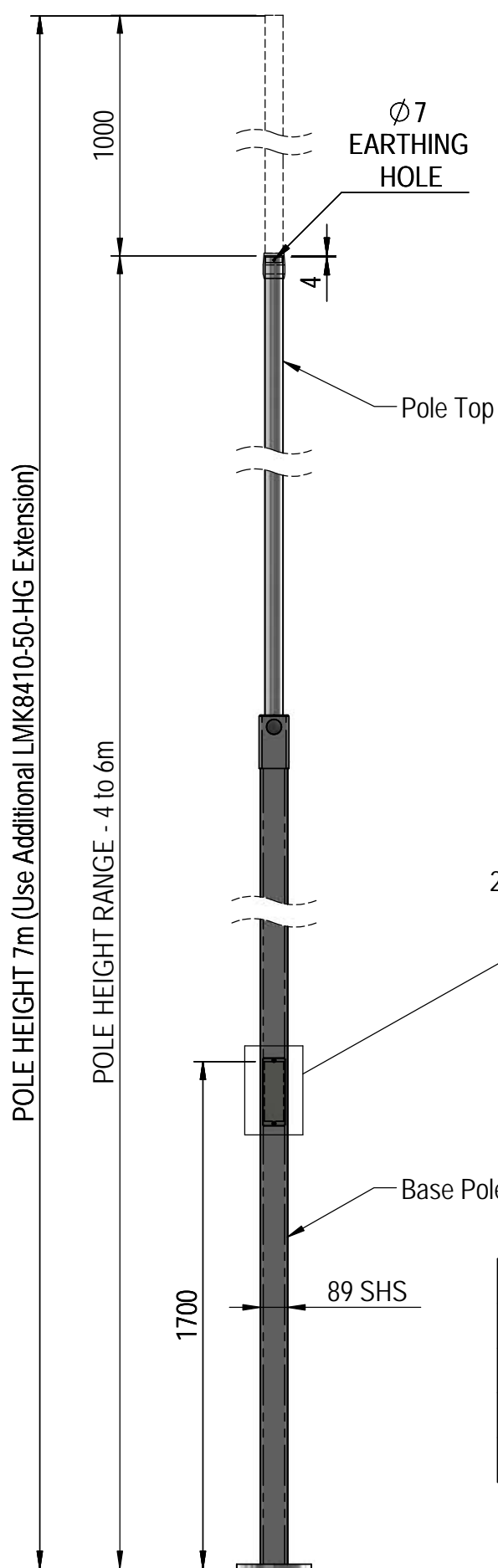
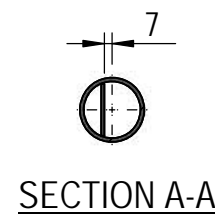
# G5 Giraffe Pole™ Series

MATERIAL = Steel - HDG Finish

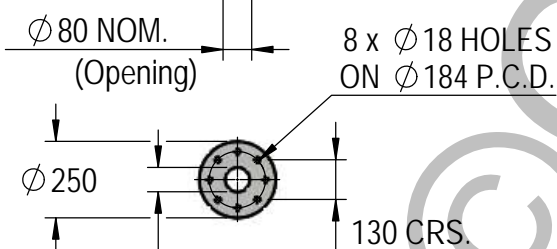
TABLE 1:

POLE HEIGHT	PART NUMBER	WEIGHT
4000	G5-4000-P-HG	51.2 kg
5000	G5-5000-P-HG	60.8 kg
6000	G5-6000-P-HG	70.3 kg
7000	G5-7000-P-HG	75.0 kg

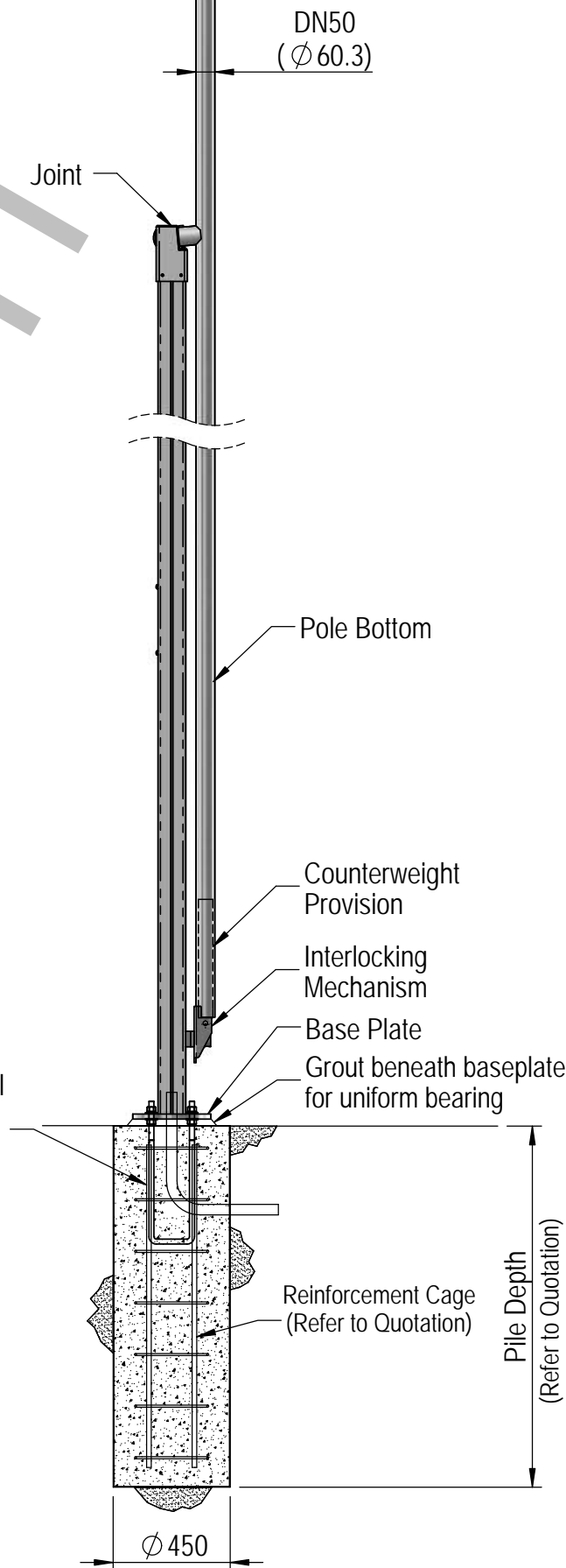
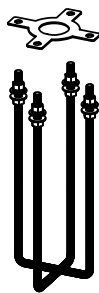
DN50 (Ø 60.3)  
Use LMK8410-50-HG for Additional 1m Extension for G5-7m (Supplied by SWIVELPOLE™)



PILE REINFORCEMENT CAGE DETAIL	
G5 Pole Diameter	450mm
Reinforcement Length	Refer to Quotation
Reinforcement cage	4N20 @ 250 PCD
Ligatures	R6@300



Cage Bolt & Template Optional (Supplied by Swivelpole™)  
Part No. CBK130-HG (Setting Template - F17-ST-1-BK)



**Notes:**


- Swivelpole™ G5 Series designed for installation at ground-level in accordance with AS1170.2 and AS4100.
- G5 Minimum Fixture Weight = 6kg
- Maximum Outreach\* & Weight of Fixtures / Equipment\*\* - Single = 700mm (No Double Outreach) 1 x 20kg\*\*  
\*Maximum Outreach = Centreline of Pole Top to the end of the Fixture / equipment  
\*\*Weight of Fixtures / Equipment will vary and is dependent upon Installed Height of G5  
e.g G5-(4000 to 6000)-P-HG - Max. weight = 20kg ; G5-7000-P-HG - Max. weight = 12kg without Counterweight  
G5-(4000 to 7000)-P-HG - Max. weight = 30kg with Counterweight

For the G5 the 'Maximum Outreach' to the end of the fixture should be no more than 700mm  
(Discretion can be used regarding fixture type and weight distribution which may allow for extra outreach length)

PATENT-PENDING

This document is the property of and protected by copyright owned by Swivelpole™ Group Pty Ltd. The designs and other information embodied in this document comprise confidential information of Swivelpole™ Group Pty Ltd and form part of products covered by international patents and registered designs. Unauthorised use, reproduction and disclosure are strictly prohibited.

www.swivelpole.com

ALL DIMENSIONS ARE IN MILLIMETRES	PROJECT <b>SWIVELPOLE™</b>	SERIES / CODE <b>G5</b>	PART NUMBER <b>REFER TABLE 1</b>	FINISH - Hot Dip Galvanised
DRAWN BY <b>BP</b>	DATE <b>13/04/18</b>	TITLE <b>G5 Giraffe Pole™ Typical Arrangement</b>		 <p>Scan Code with QR Reader app for more Swivelpole™ Solutions</p>
CHECKED BY <b>KM</b>	DATE <b>13/04/18</b>	DRG No <b>C-AU-G5-Giraffe Pole™ Generic</b>		
APPROVED BY <b>AI</b>	DATE <b>13/04/18</b>	SCALE <b>1:35</b>		
THIRD ANGLE PROJECTION	SCALE <b>1:35</b>		DRG No <b>C-AU-G5-Giraffe Pole™ Generic</b>	(RQ1703 - 20/09/21) REV <b>2</b> A4

**Swivelpole™**  
SUPPLIED BY  
**Giraffe Pole™**